

# ZERO•NET™

## PW2500

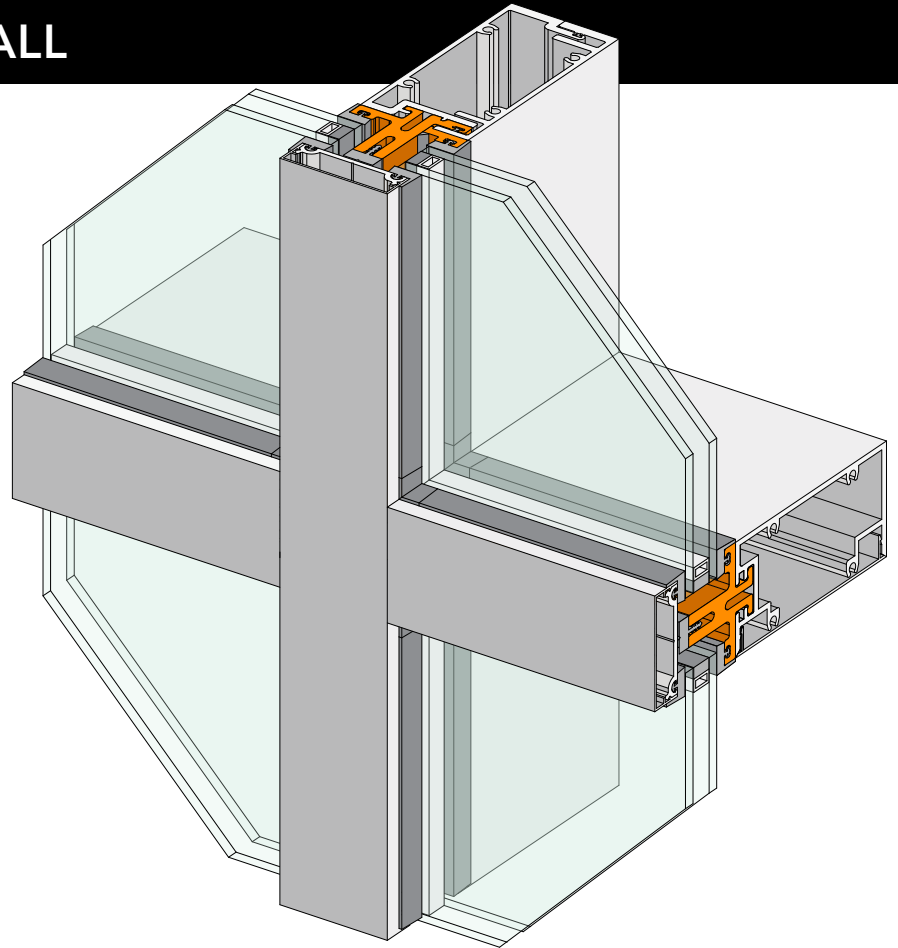
### PRESSURE CURTAIN WALL

#### PRODUCT DESCRIPTION

The Zero•Net™ PW2500 pressure curtain wall system takes traditional curtain wall design and incorporates our FortMax™ patented thermal barrier to provide industry-leading performance. By combining this system with standard 1" double IGUs, designers can achieve U-values that traditional framing systems can only obtain with triple pane IGUs.

#### PRODUCT FEATURES

- Low to mid-rise application
- Shop fabricated ladders
- Field or shop glazed - optional shop-glazed non-fabricated ladders or fully glazed SSG
- Incorporates FreMarq's FortMax™ thermal barrier for the highest performance in the industry
  - Industry-leading U-values (0.10-0.27)  
**based on NFRC gateway sizes**
- Frame CRF 84 based on AAMA 1503-09 testing
- Overall depths available from 6 1/2" to 10 3/4" (can accommodate custom sizes)
- 2 1/2" and 3" mullion sightlines
- Can accommodate infills up to 1 3/4" for greater thermal performance
- Furnished in captured, 2-sided, and 4-sided SSG
- Pressure equalized rain screen design
- 15 psf static and dynamic water resistance
- Exterior sunshades and interior light shelves are available



#### RELATED PROJECT

The Heights  
Haverhill, MA  
SGA



**FreMarq**  
INNOVATIONS

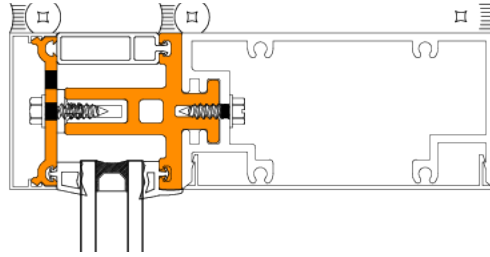
(715) 842-6842

WWW.FREMARQINNOVATIONS.COM

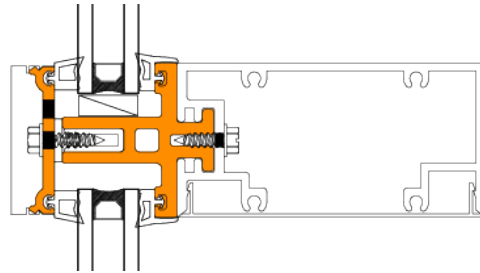


# ZERO•NET™ PW2500

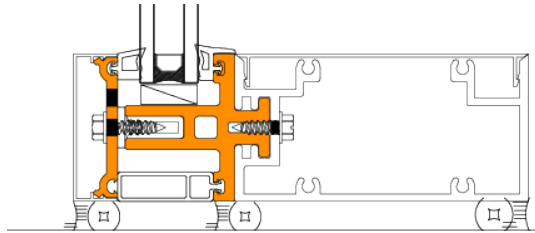
HEAD



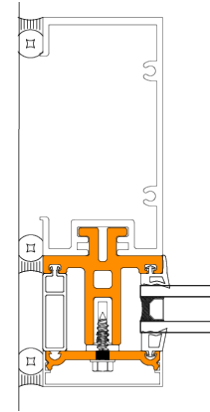
HORIZONTAL



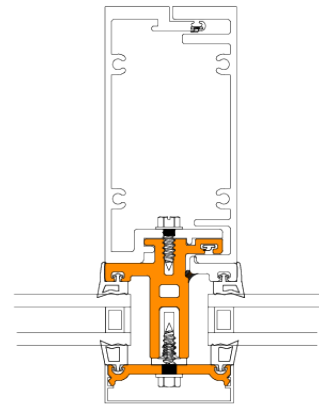
SILL



JAMB



VERTICAL



## THERMAL PERFORMANCE

Product	Glass	Center of Glass U-Value	Assembled U-Value	Description
PW2500 Captured	1" Single Low E	0.243	0.273	NFRC Size
PW2500 Captured	1" Single Low E	0.241	0.261	PROJECT Size 5'X 10'
PW2500 Captured	1" Double Low E	0.191	0.229	Roomside Low E NFRC Size
PW2500 Captured	1" Double Low E	0.186	0.212	Roomside Low E PROJECT Size 5'X 10'
PW2500 SSG	1" Single Low E	0.243	0.284	NFRC Size
PW2500 SSG	1" Single Low E	0.241	0.268	PROJECT Size 5'X 10'
PW2500 SSG	1" Double Low E	0.191	0.241	Roomside Low E NFRC Size
PW2500 SSG	1" Double Low E	0.186	0.219	Roomside Low E PROJECT Size 5'X 10'
PW2500	Triple	0.127	0.175	NFRC Size
PW2500	VIG	0.042	0.124	NFRC Size (60 mm VIG Bond)
PW2500	VIG	0.042	0.101	Project Size 5'x9' (60 mm VIG Bond)
PW2500	VIG Hybrid	0.036	0.098	NFRC Size

For additional information (CAD details, specifications, test reports, thermal simulations) visit our website at: [www.fremarqinnovations.com](http://www.fremarqinnovations.com)