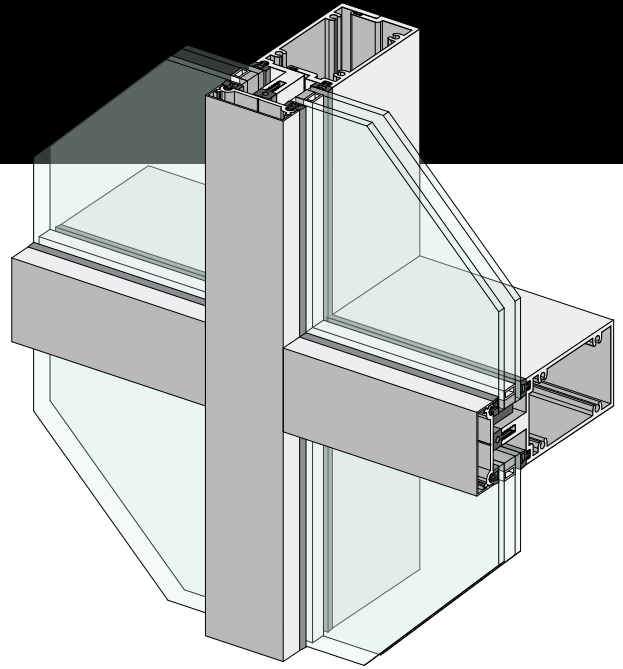


# ZERO•NET™ FM2500

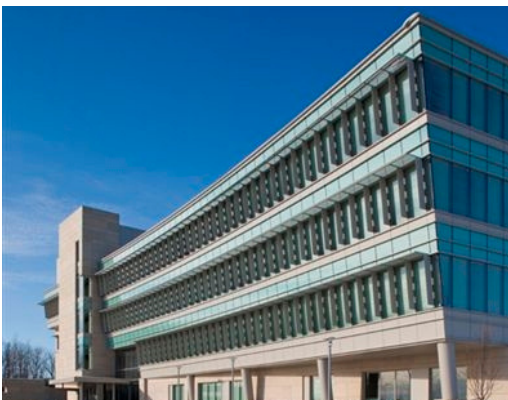
## PRESSURE CURTAIN WALL

The **FM2500 series**, our standard [pressure wall systems](#), have been a staple in building construction since 1996, during the FM Enterprise era. The FM2500 series is a conventional thermally broken pressure bar system.



### FEATURES

- Low to mid-rise application
- Field or shop (fabricated ladders) glazed
- System depth - 6 1/4" to 10 1/4"
- 2 1/2" mullion sightlines (can accommodate custom sizes)
- Can accommodate infills up to 1 3/4" for greater thermal performance
- Furnished in captured or SSG
- Exterior sunshades and interior light shelves are available
- System performance is driven by glass



**Think Bank**  
Rochester, NY  
HGA

	U-Factor Center of Glass (Btu/h-ft <sup>2</sup> -F)	U-Factor Assembled (Btu/h-ft <sup>2</sup> -F)	SHGC	VT	CR
2507 4-sided Cap.	0.241	0.387	0.355	0.629	59