

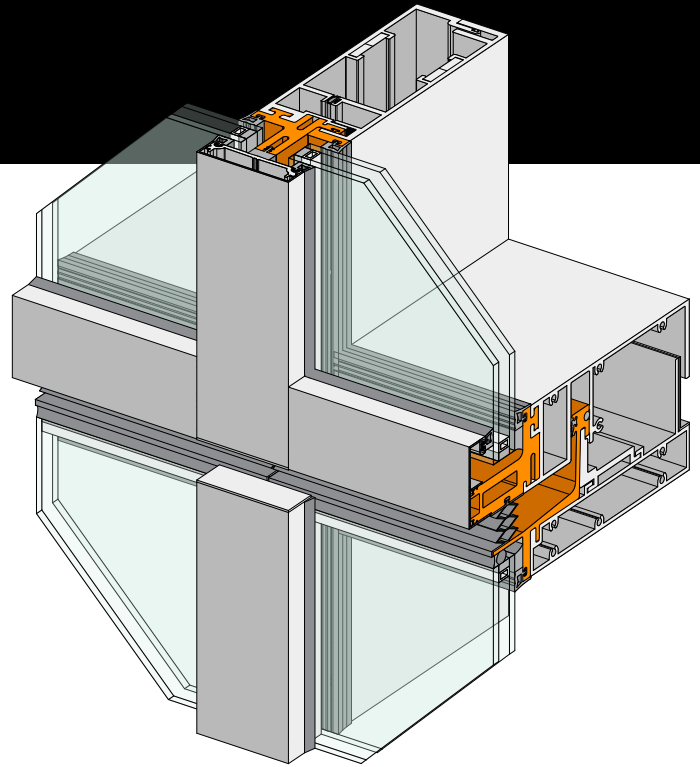
ZERO•NET™

UCW3500

UNITIZED CURTAIN WALL

FreMarq
INNOVATIONS

The **Zero•Net™ UCW3500 unitized curtain wall** is designed to offer exceptional thermal insulation performance using our patented FortMax™ thermal barrier technology. This technology effectively isolates all interior aluminum frames from the external environment, including at the horizontal stack joint, which is typically the weakest point in unitized curtain wall systems in terms of thermal insulation.



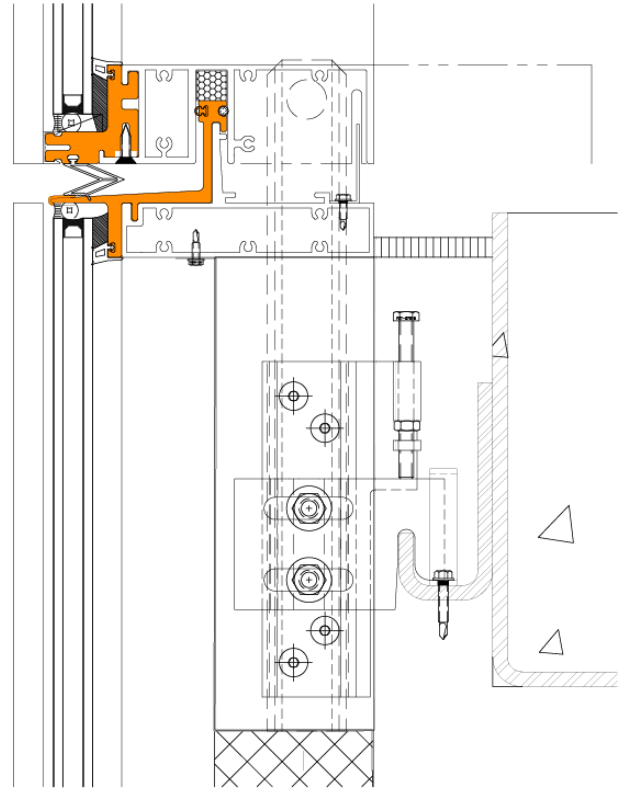
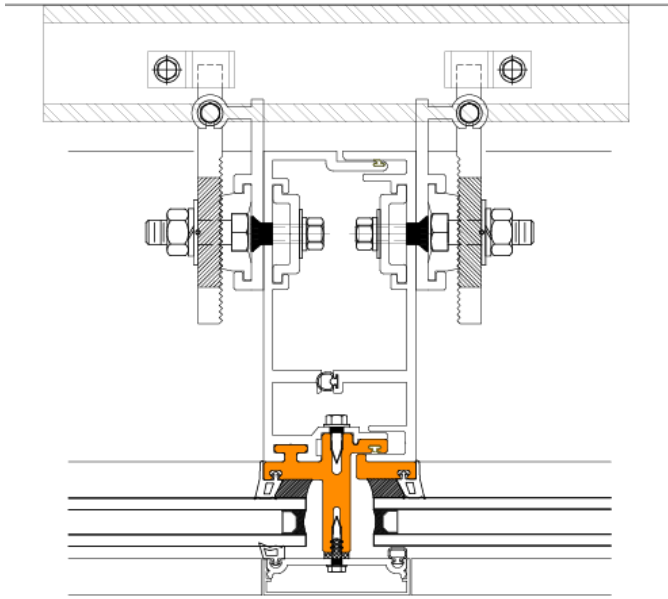
FEATURES

- Mid-high rise application
- Shop glazed
- Incorporates FreMarq's FortMax™ thermal barrier for the highest performance in the industry
 - Industry-leading U-values (range from 0.14-0.28) **based on NFRC gateway sizes**
- Frame CRF 82 based on AAMA 1503-09 testing
- Overall depths available from 7" to 10 1/8"
- 3" mullion sightlines
- Can accommodate infills up to 1 3/4" for greater thermal performance
- Furnished in 2-sided, and 4-sided SSG and Captured
- Pressure equalized rain screen design
- 15 psf static and dynamic water resistance
- Glazing and sealing in a controlled factory environment
- 3-way adjustable anchors - project-specific when required
- Exterior sunshades and interior light shelves available

Covered by one or more of the following US or Foreign Patents No. 9,212,482; 9,663,946; 11,214,961; 11,434,635
Canada 2,951,502; Canada 2,950,781; EU EP3314065 and other US and foreign patents pending.
The End of Compromise® is a registered trademark and FreMarq™, FortMax™, and Zero•Net™ are protected
trademarks of FreMarq Innovations, Inc. ©2018-2024 FreMarq Innovations, Inc.

ZERO•NET™

UCW3500



Product	Glass	Center of Glass U-Value	Assembled U-Value	Description
UCW3500 Captured	1" Single Low E	0.243	0.274	NFRC Size
UCW3500 Captured	1" Single Low E	0.241	0.263	PROJECT Size 5'X 10'
UCW3500 Captured	1" Double Low E	0.191	0.235	Roomside Low E NFRC Size
UCW3500 Captured	1" Double Low E	0.186	0.216	Roomside Low E PROJECT Size 5'X 10'
UCW3500 SSG	1" Single Low E	0.243	0.299	NFRC Size
UCW3500 SSG	1" Single Low E	0.241	0.279	PROJECT Size 5'X 10'
UCW3500 SSG	1" Double Low E	0.191	0.259	Roomside Low E NFRC Size
UCW3500 SSG	1" Double Low E	0.186	0.232	Roomside Low E PROJECT Size 5'X 10'
UCW3500 Captured	Triple	0.133	0.181	NFRC Size
UCW3500 Captured	Triple	0.133	0.165	PROJECT Size 5'X 10'
UCW3500 SSG	Triple	0.133	0.194	NFRC Size
UCW3500 SSG	Triple	0.133	0.173	PROJECT Size 5'X 10'
UCW3500 Captured	VIG	0.049	0.131	NFRC Size (50 mm VIG Bond)
UCW3500 Captured	VIG	0.049	0.109	PROJECT Size 5'X 8' (50 mm VIG Bond)
UCW3500 SSG	VIG	0.066	0.184	NFRC Size
UCW3500 SSG	VIG	0.066	0.153	PROJECT Size 5'X 8'



(715) 842-6842
WWW.FREMARQINNOVATIONS.COM

FreMarq
 INNOVATIONS