

ZERO•NET™

FW2500

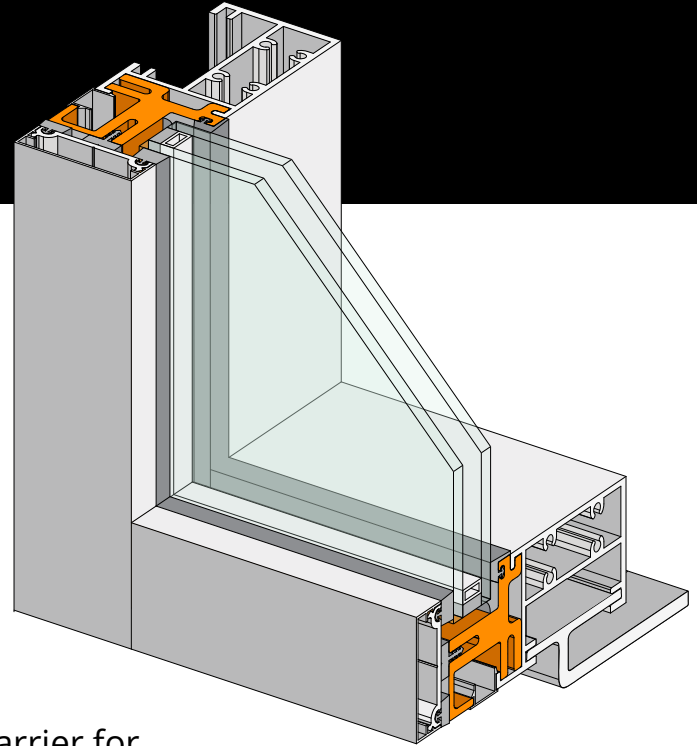
FIXED WINDOW

FreMarq
INNOVATIONS

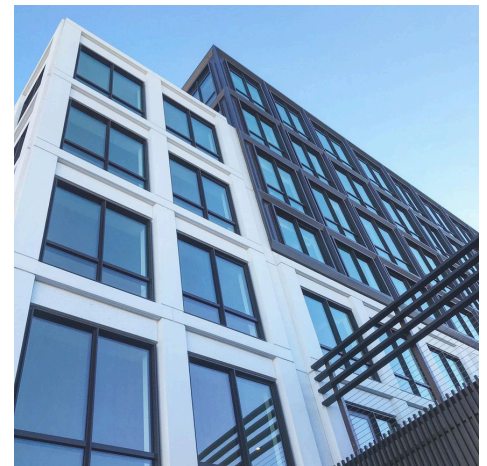
The **Zero•Net™ FW2500 fixed window** aligns with current trends towards larger punched openings with more glass, without compromising on performance.

FEATURES

- Low to high-rise application
- Field or shop glazed
- Incorporates FreMarq's FortMax™ thermal barrier for the highest performance in the industry
- Industry-leading U-values (0.18-0.29) based on NFRC gateway sizes
- Frame CRF 82 based on AAMA 1503-09 testing
- System depth - 5 1/2"
- 2" or 2 1/2" mullion sightlines
- Can accommodate infills up to 1 3/4" for greater thermal performance
- Furnished in captured or SSG
- 15 psf static and dynamic water resistance
- Exterior sunshades and interior light shelves available



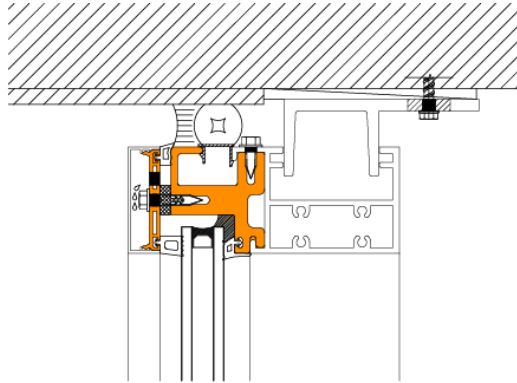
2465 Van Ness
San Francisco, CA
Handel Architects



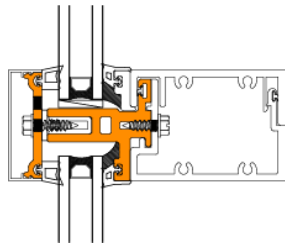
ZERO•NET™

FW2500

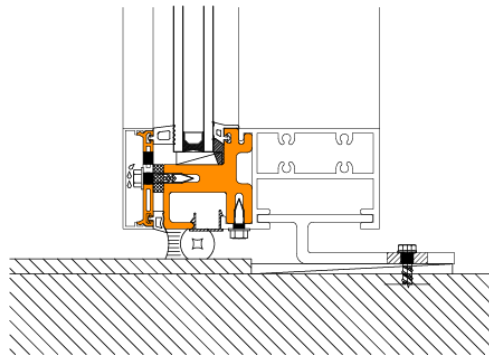
HEAD



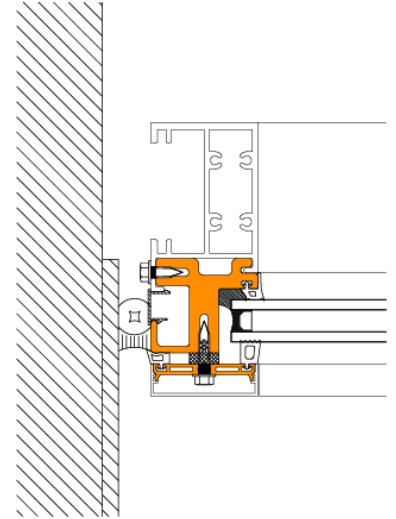
HORIZONTAL



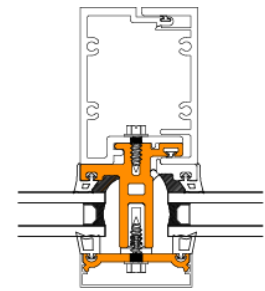
SILL



JAMB



VERTICAL



Product	Glass	Center of Glass U-Value	Assembled U-Value	Description
FW2500	1" Single Low E	0.246	0.291	NFRC Size
FW2500	1" Double Low E	0.195	0.25	NFRC Size
FW2500	Triple Single Low E	0.183	0.227	NFRC Size
FW2500	Triple Double Low E	0.135	0.189	NFRC Size
FW2500	VIG	0.048	0.17	NFRC Size



(715) 842-6842
WWW.FREMARQINNOVATIONS.COM

FreMarq
 INNOVATIONS