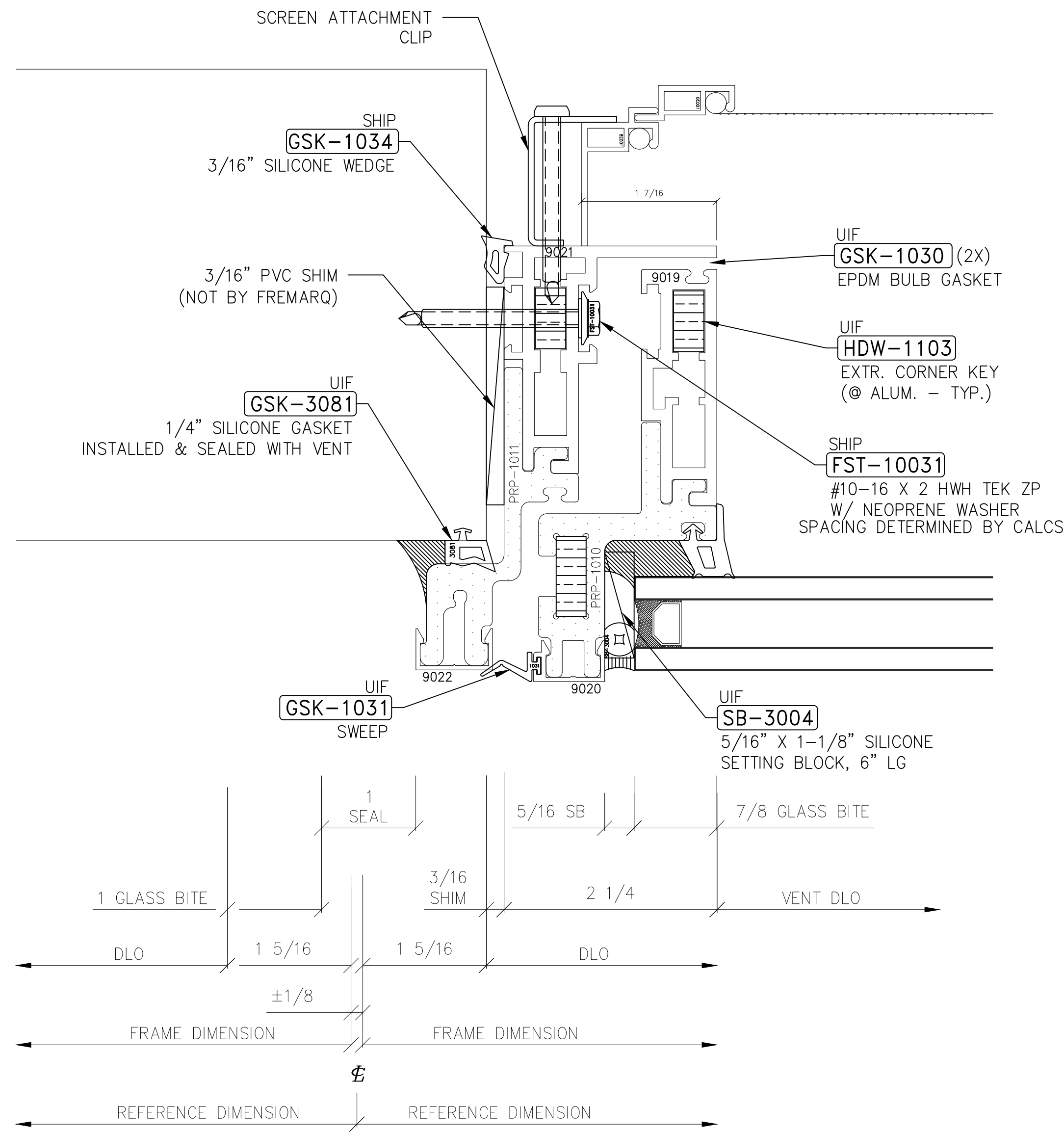
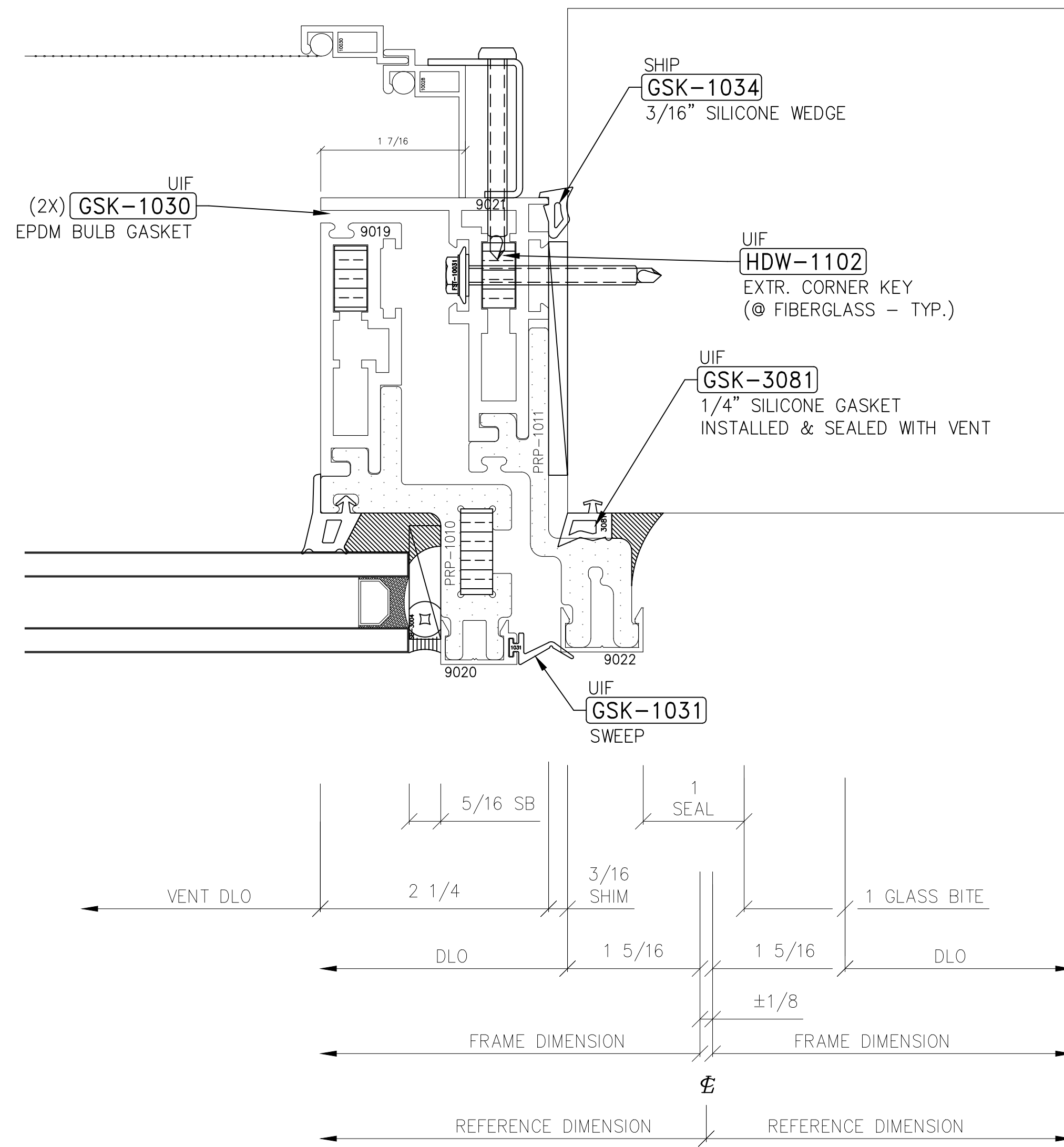


PROJECT:	---	DRAWN BY:	BLB	NO.	DATE	BY	REVISIONS
LOCATION:	---	DATE:	12/06/21	NO.	DATE	BY	REVISIONS
ARCHITECT:	---	<b>GENERAL NOTES:</b> 1) Contractor to verify all dimensions in the field. All framing will be manufactured to the dimensions indicated unless otherwise noted. 2) Architect to review all conditions for compliance to contract documents and, if required, provide correct details and/or dimensions to ensure proper coordination. 3) Drawings marked "approved" or "approved as noted" shall be interpreted as an accurate condition of job requirements and such approval shall authorize release to fabrication. 4) Fremarq shall not be responsible for any errors and/or work that occurs from the use of these drawings by other trades.					
CONTRACTOR:	---	<b>Fremarq INNOVATIONS</b> 1101 NORTH MILL STREET    PH: (715) 842-6842 MERRILL, WISCONSIN 54452 WWW.FREMARQINNOVATIONS.COM					
JOB NUMBER:	---	<b>SHEET TITLE</b> VENT DETAIL SHEET					
DRAWING SCALE:	---	11x17 = 6" = 1'-0" 22x34 = 12" = 1'-0"					
DRAWING NO.:	VD101						



C VD102 SSG LEFT VERTICAL - VENT  
FRE



D VD102 SSG RIGHT VERTICAL - VENT  
FRE

PROJECT:	---		
LOCATION:	---		
ARCHITECT:	---		
CONTRACTOR:	---		
<p>1101 NORTH MILL STREET MERRILL, WISCONSIN 54452 WWW.FREMARAINNOVATIONS.COM</p>			
JOB NUMBER	---		
SHEET TITLE	VENT DETAIL SHEET		
DRAWING SCALE	11x17 = 6" = 1'-0" 22x34 = 12" = 1'-0"		
DRAWING NO.	VD102		
NO.	DATE	BY	REVISIONS
1	12/07/21		
<p><b>GENERAL NOTES:</b></p> <p>1) Contractor to verify all dimensions in the field. All framing will be manufactured to the dimensions indicated unless otherwise noted.</p> <p>2) Architect to review all conditions for compliance to contract documents and, if required, provide correct details and/or dimensions to ensure proper coordination.</p> <p>3) Drawings marked "approved" or "approval as noted" shall be interpreted as an accurate condition of job requirements and such approval shall authorize release to fabrication.</p> <p>4) Fremara shall not be responsible for any errors and/or work that occurs from the use of these drawings by other trades.</p>			