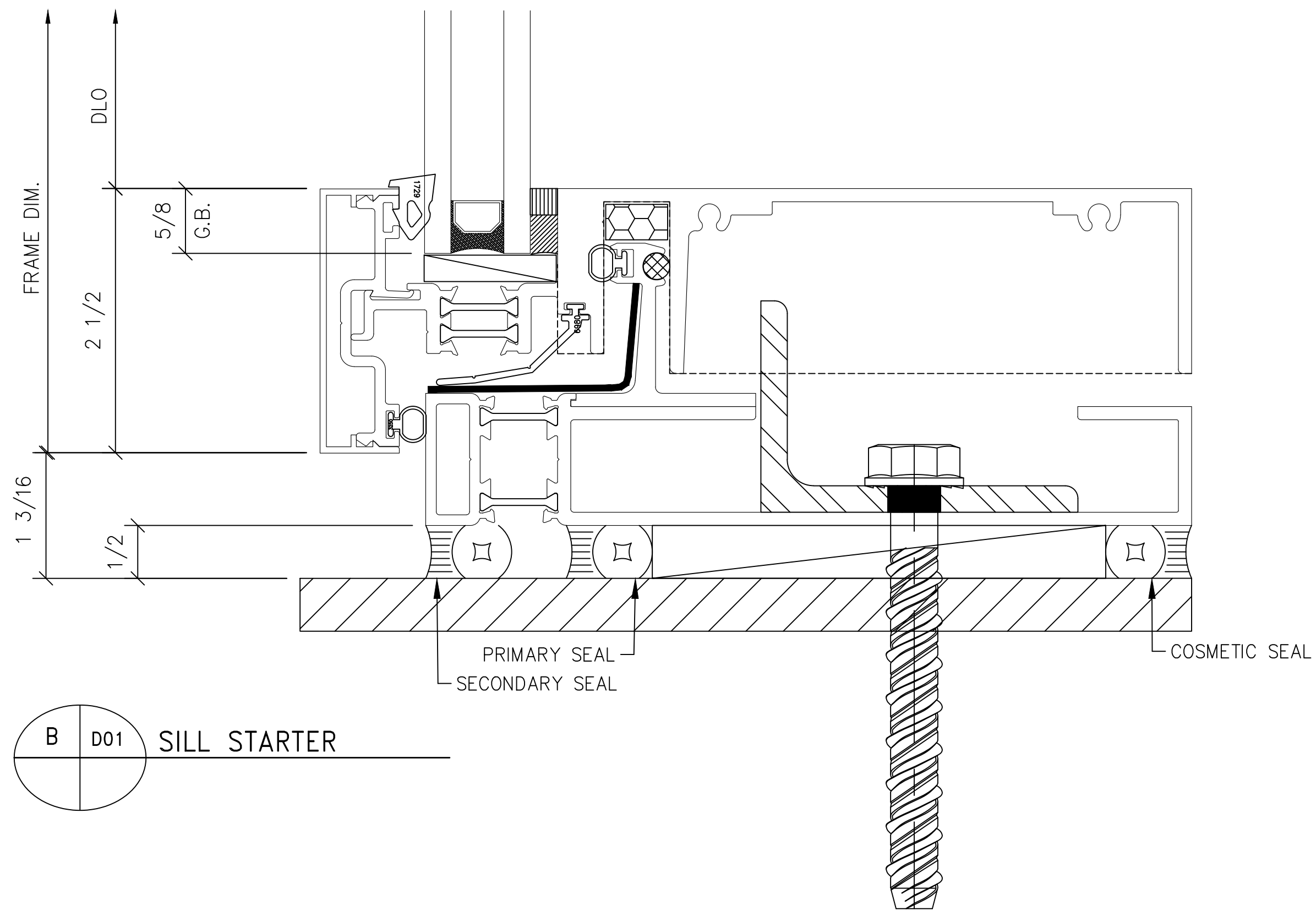
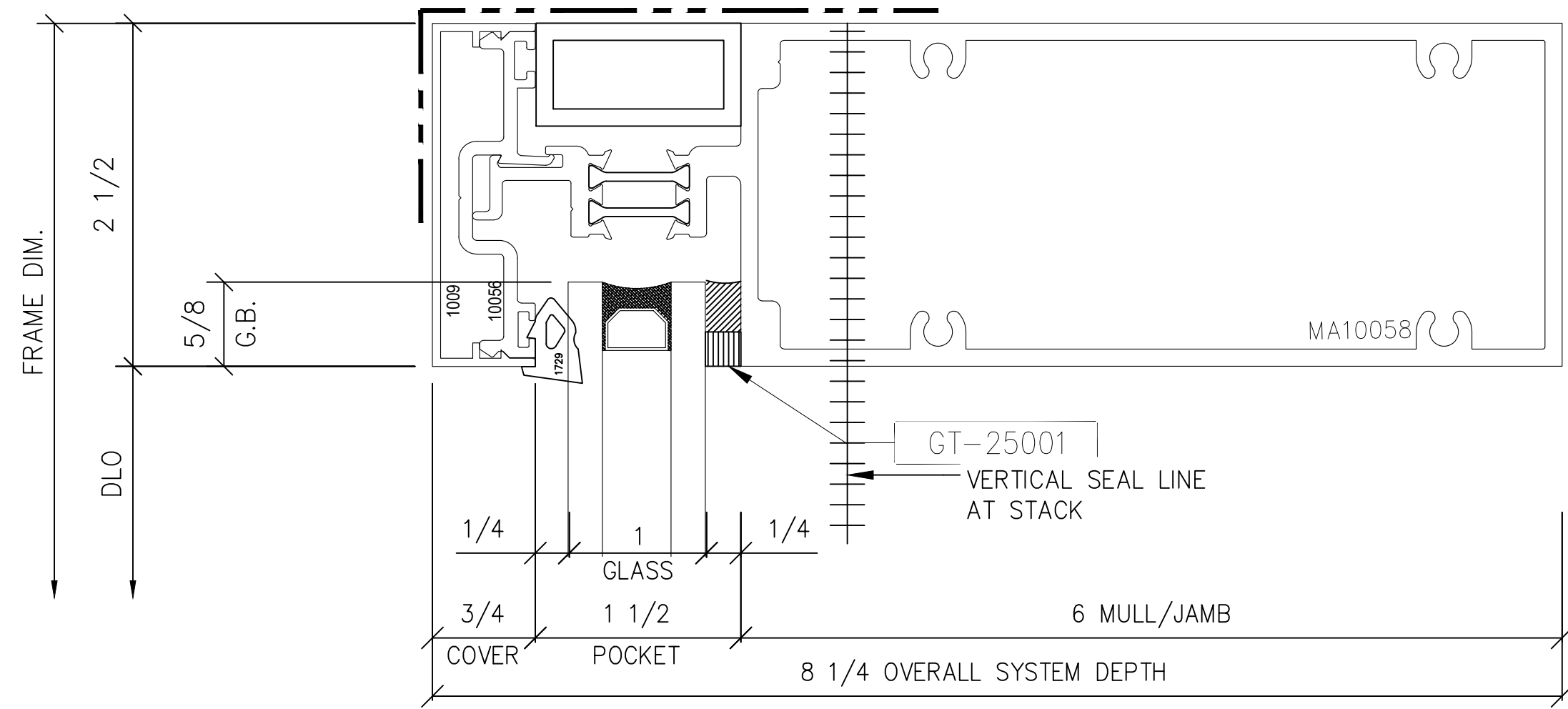


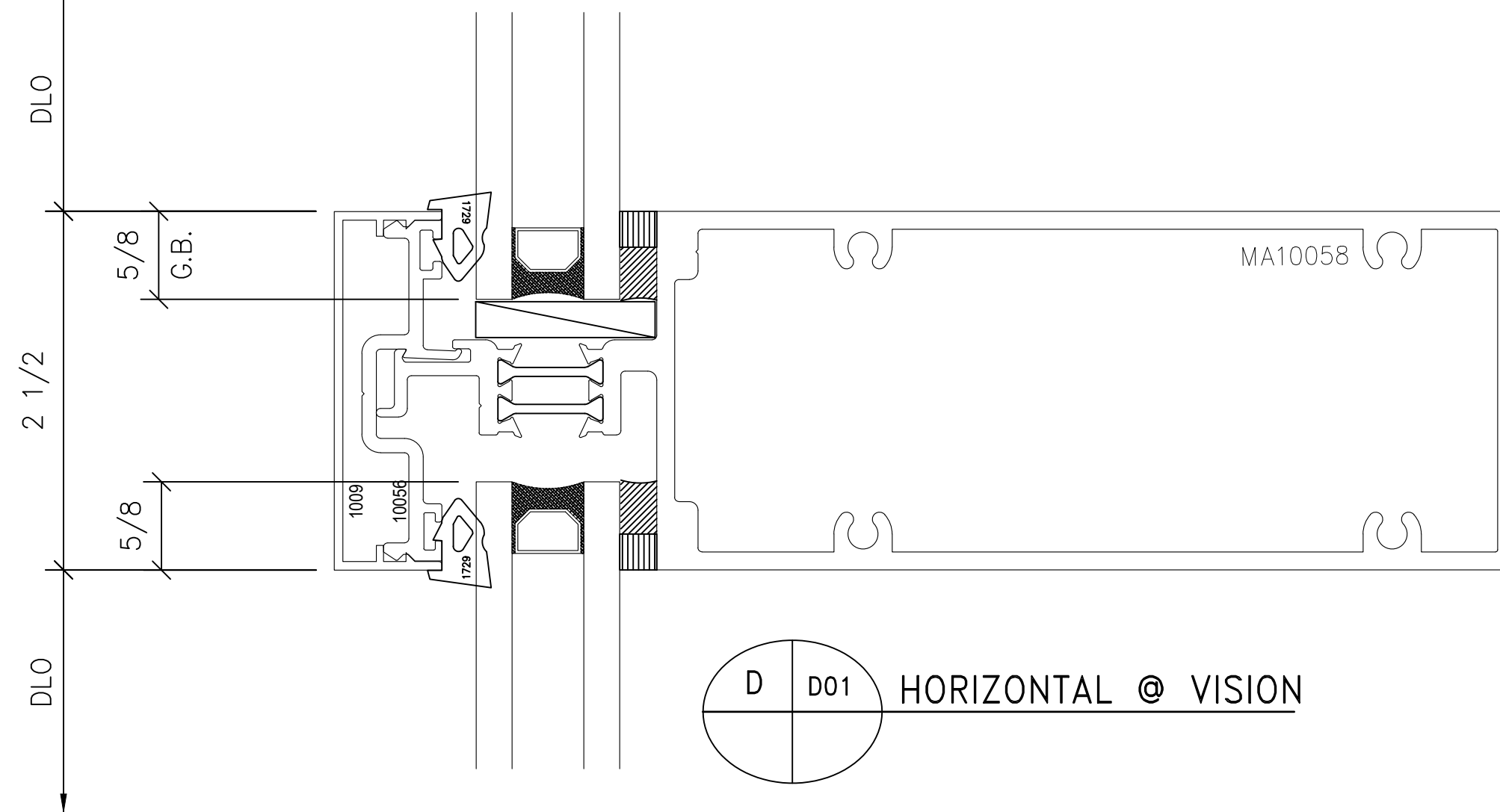
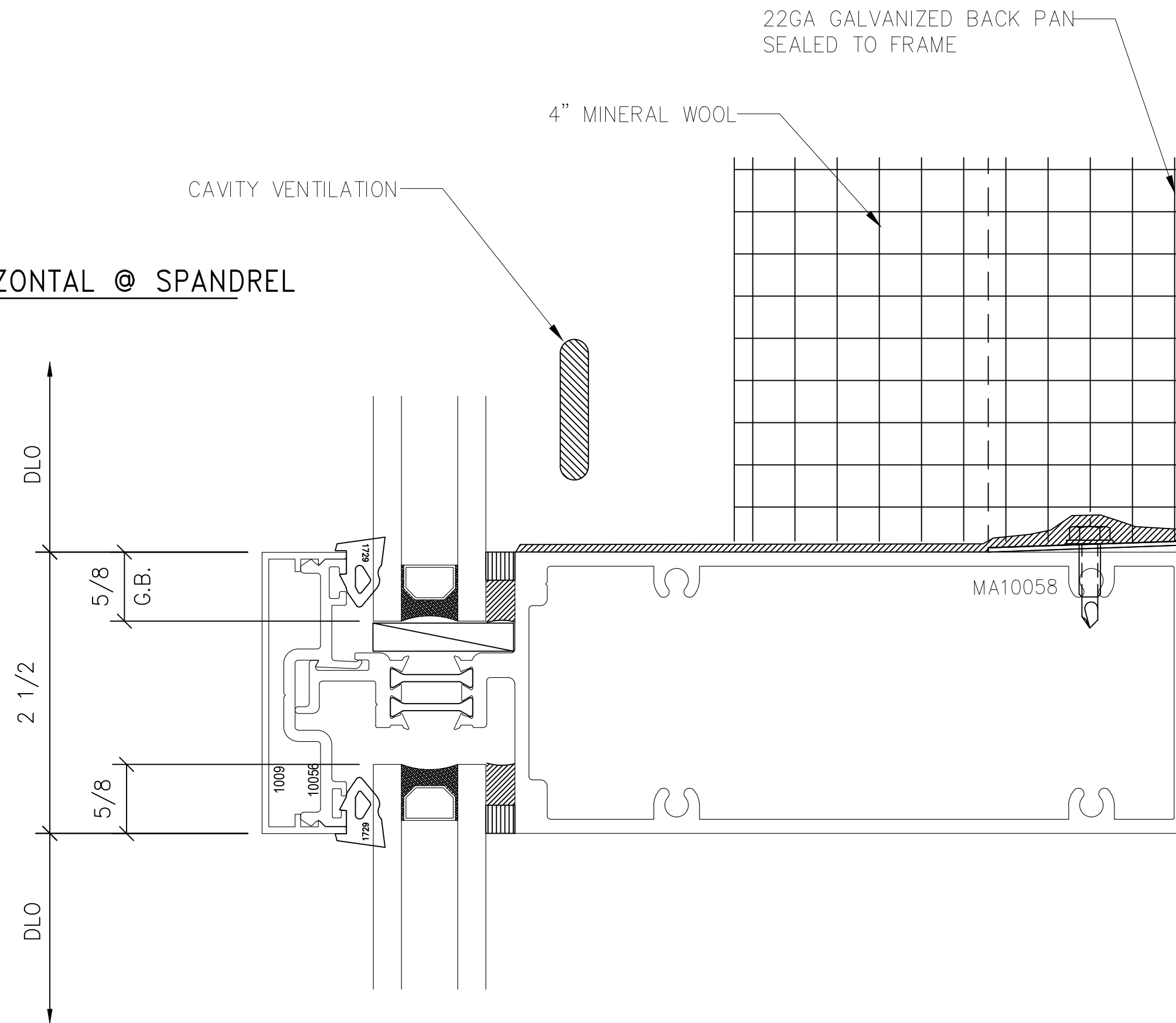
PROJECT: US8375 (NARROW)		DRAWN BY: TAS		NO.		DATE		BY		REVISIONS	
LOCATION:		DATE: 10/16/23		NO.		DATE		BY		REVISIONS	
ARCHITECT:		GENERAL NOTES: 1) Contractor to verify all dimensions in the field. All framing will be manufactured to the dimensions indicated unless otherwise noted. 2) Architect to review all conditions for compliance to contract documents and, if required, provide correct details and/or dimensions to ensure proper coordination. 3) Drawings marked "approved" or "approved as noted" shall be interpreted as an accurate condition of job requirements and such approval shall authorize release to fabrication. 4) Fremara shall not be responsible for any errors and/or work that occurs from the use of these drawings by other trades.									
CONTRACTOR:		JOB NUMBER									
CONTRACTOR:		SHEET TITLE ELEVATION SHEET									
CONTRACTOR:		DRAWING SCALE 11x17 = 6" = 1'-0" 22x34 = 12" = 1'-0"									
CONTRACTOR:		DRAWING NO. E01									

A D01 VISION HEAD



B D01 SILL STARTER

C D01 HORIZONTAL @ SPANDREL



D D01 HORIZONTAL @ VISION

PROJECT: US8375 (NARROW)

LOCATION:
ARCHITECT:
CONTRACTOR:

Fremara
INNOVATIONS
1101 NORTH MILL STREET
MERRILL, WISCONSIN 54452
WWW.FREMARAINNOVATIONS.COM

JOB NUMBER

SHEET TITLE
DETAIL SHEET

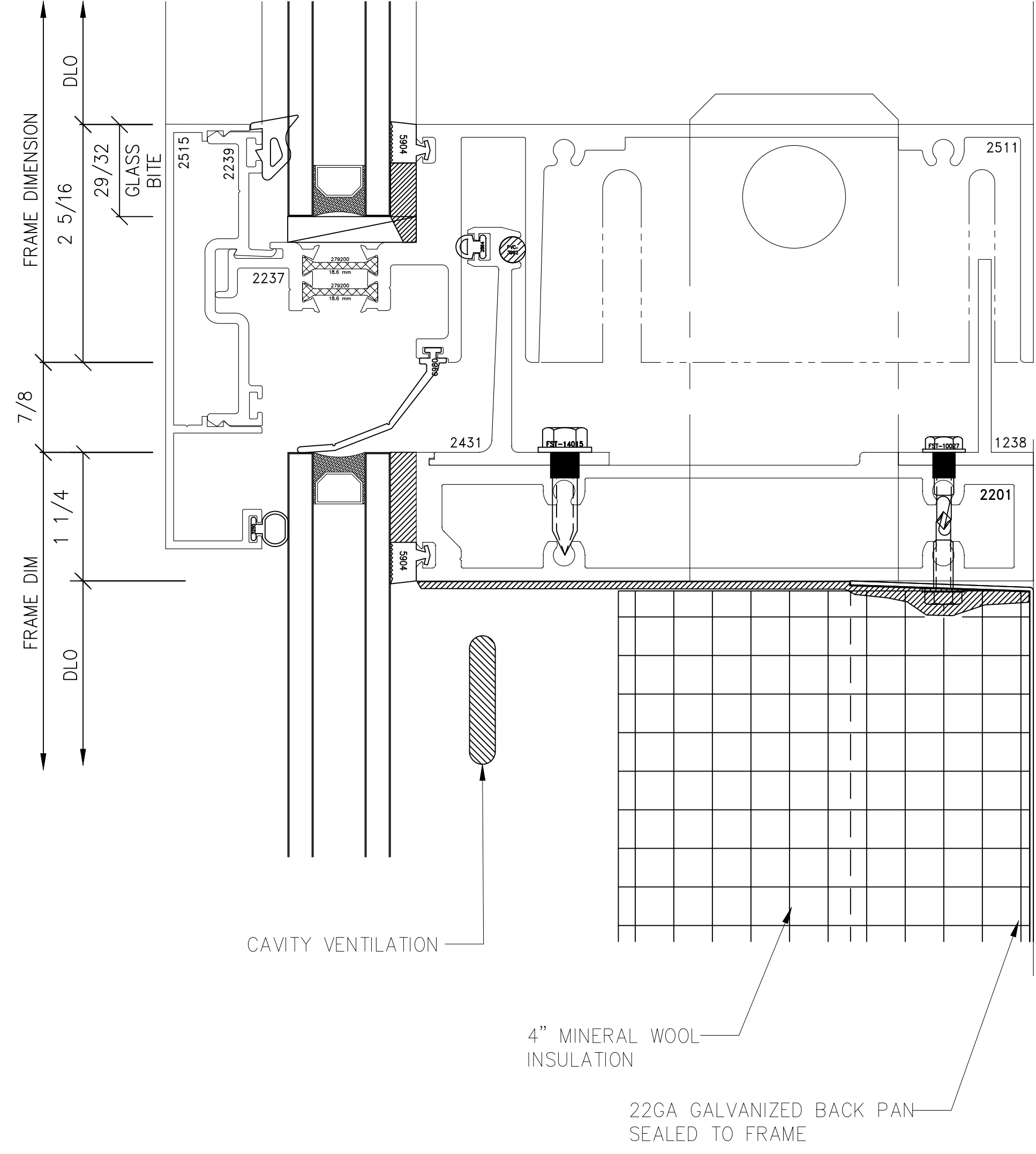
DRAWING SCALE
11x17 = 6" = 1'-0"
22x34 = 12" = 1'-0"

DRAWING NO.
D01

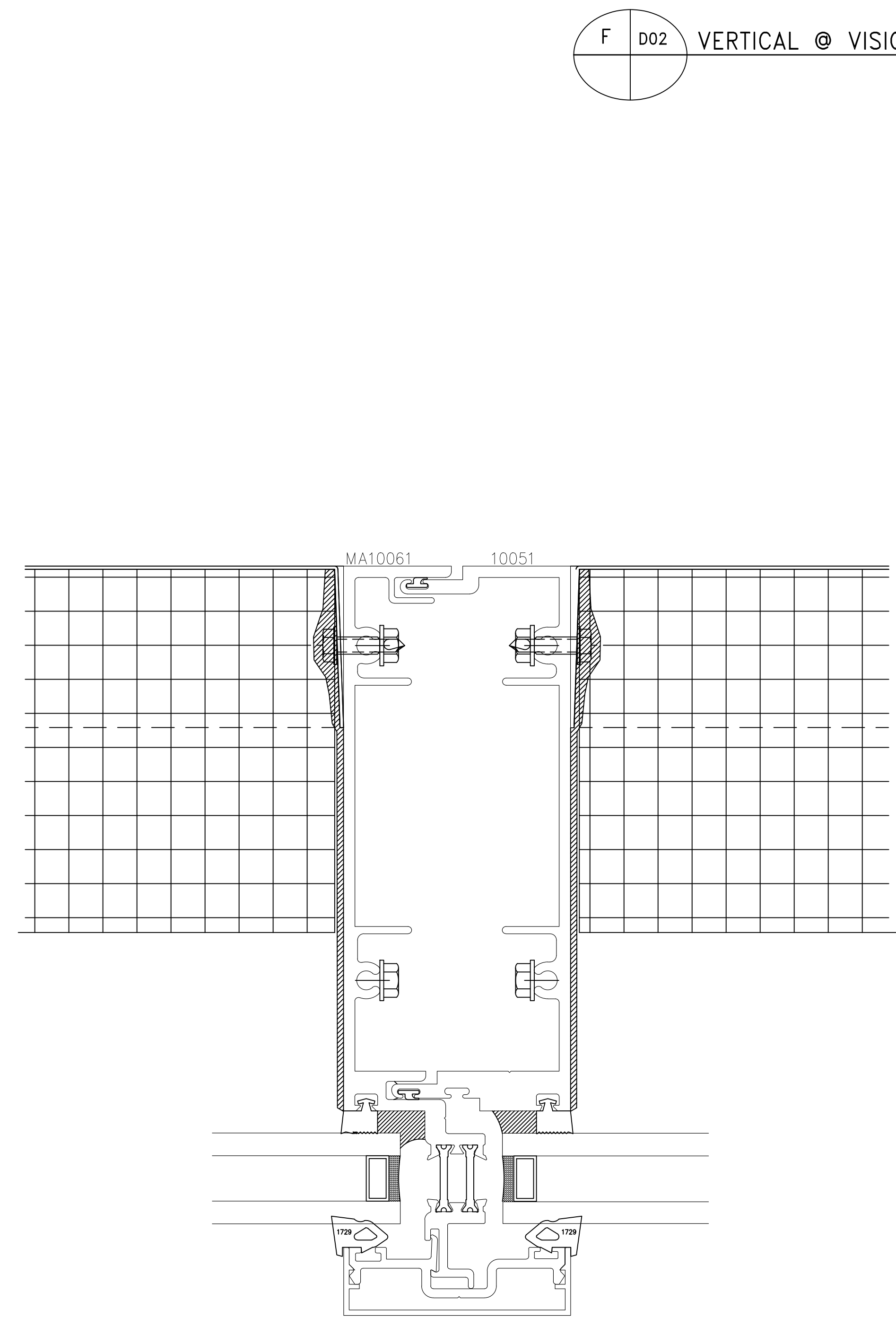
DRAWN BY: TAF
DATE: 10/16/23
NO. DATE BY REVISIONS

GENERAL NOTES:
1) Contractor to verify all dimensions in the field. All framing will be manufactured to the dimensions indicated unless otherwise noted.
2) Architect to review all conditions for compliance to contract documents and, if required, provide correct details and/or dimensions to ensure proper coordination.
3) Drawings marked 'approved' or 'approved as noted' shall be interpreted as an accurate condition of job requirements and such approval shall authorize release to fabrication.
4) Fremara shall not be responsible for any errors and/or work that occurs from the use of these drawings by other trades.

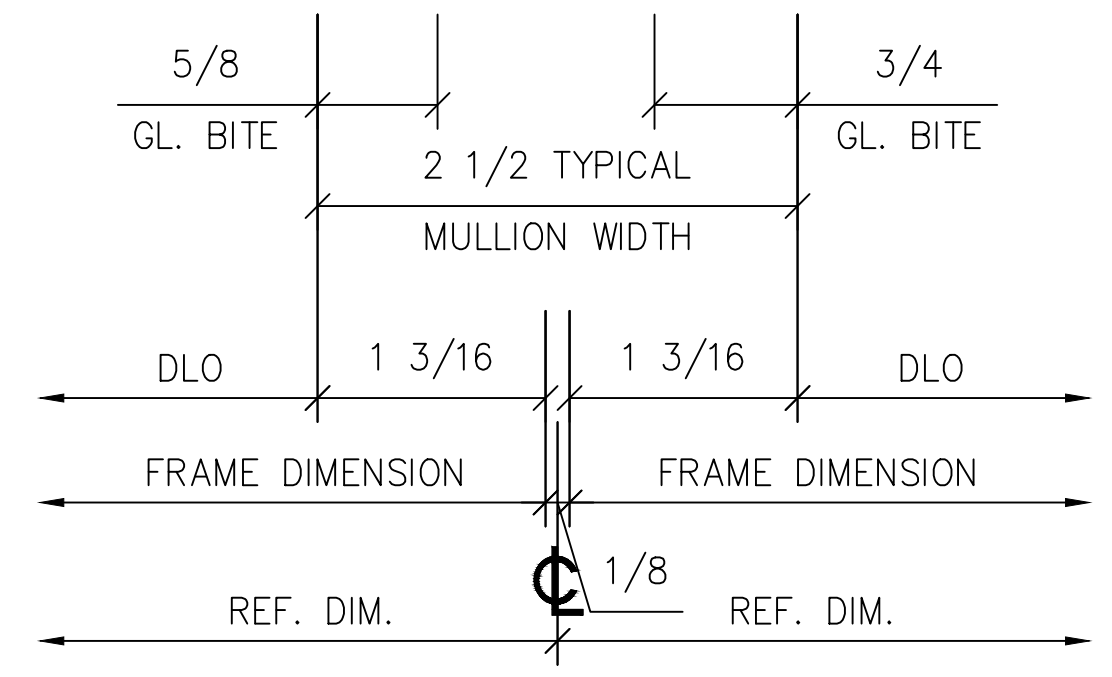
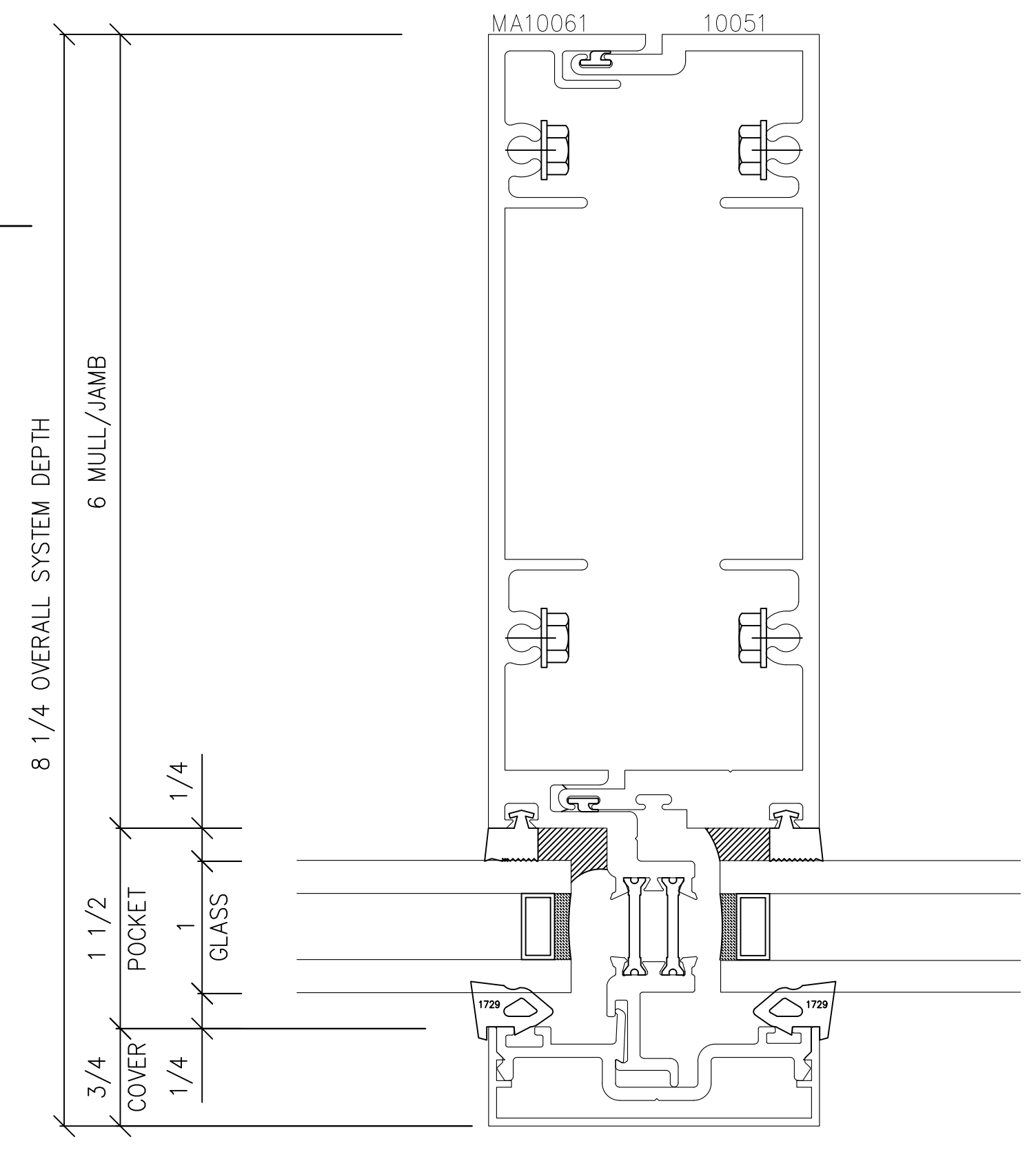
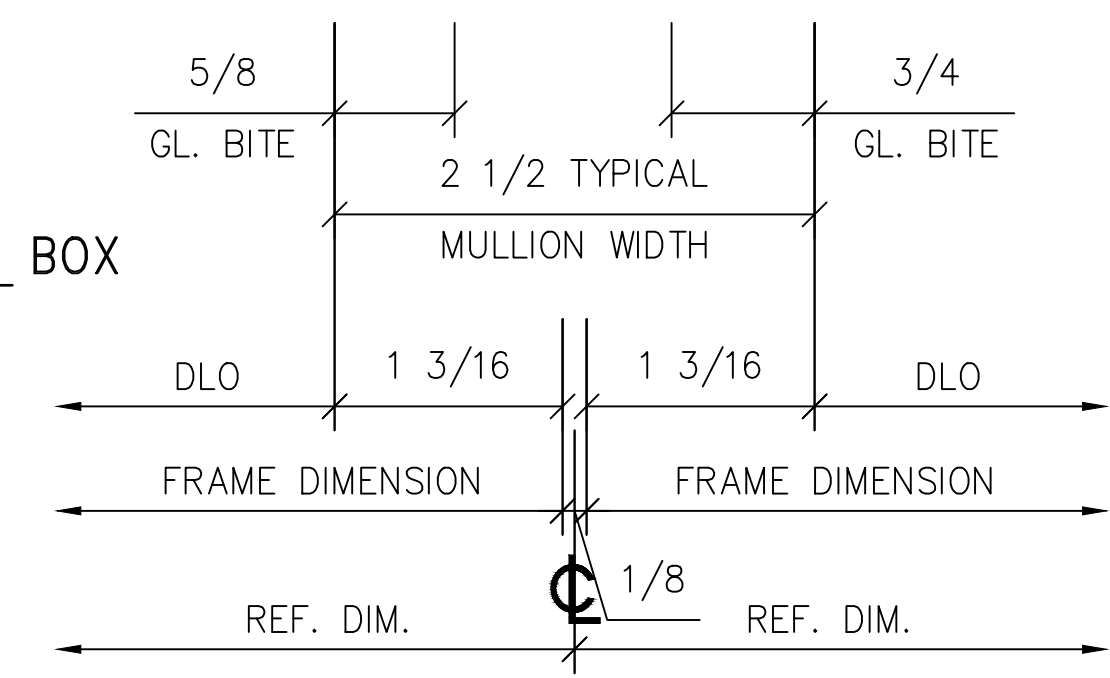
E D02 HORIZONTAL STACK



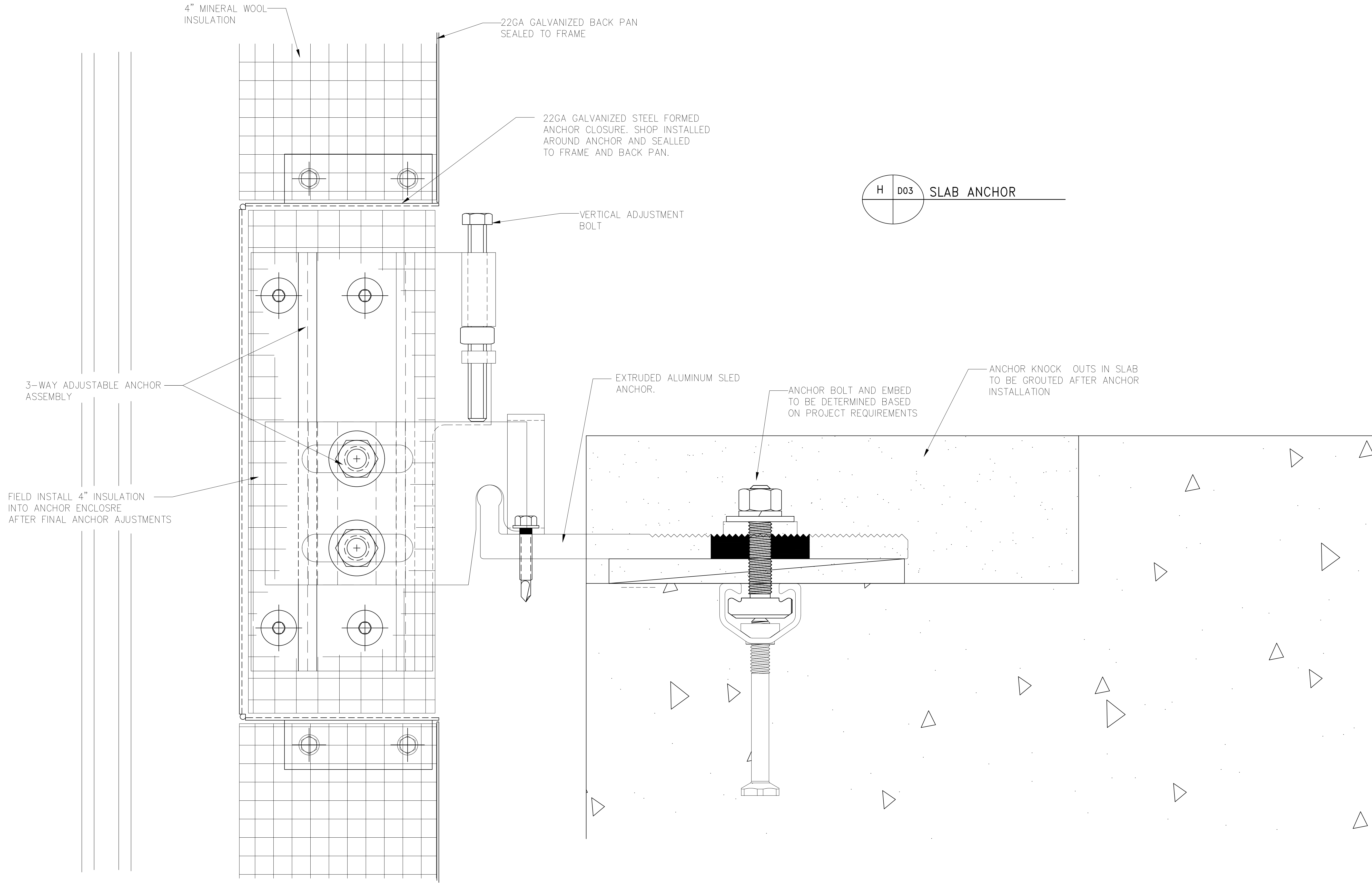
F D02 VERTICAL @ VISION



G D02 VERTICAL @ SHADOW BOX

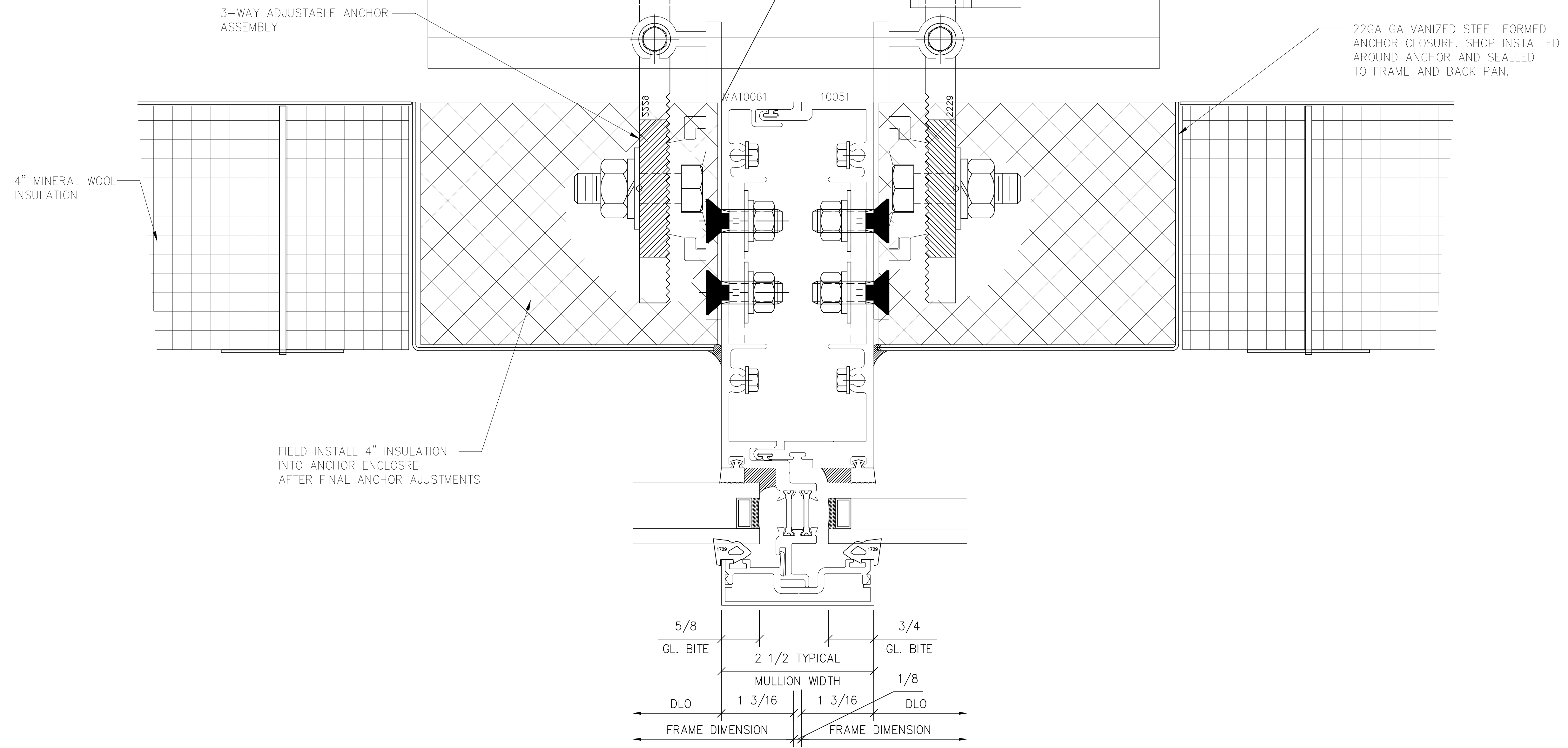


PROJECT: US8375 (NARROW)		DRAWN BY: TAF		NO.		DATE		BY		REVISIONS	
LOCATION:		DATE: 10/16/23		NO.		DATE		BY		REVISIONS	
ARCHITECT:		DATE: 10/16/23		NO.		DATE		BY		REVISIONS	
CONTRACTOR:		DATE: 10/16/23		NO.		DATE		BY		REVISIONS	
<p>FreMaq INNOVATIONS</p> <p>1101 NORTH MILL STREET PE: (715) 842-6842 MERRILL, WISCONSIN 54452 WWW.FREMARQINNOVATIONS.COM</p>											
<p>JOB NUMBER</p> <p>SHEET TITLE DETAIL SHEET</p> <p>DRAWING SCALE 11x17 = 6" = 1'-0" 22x34 = 12" = 1'-0"</p> <p>DRAWING NO. D02</p>											
<p>GENERAL NOTES: 1) Contractor to verify all dimensions in the field. All framing will be manufactured to the dimensions indicated unless otherwise noted. 2) Architect to review all conditions for compliance to contract documents and, if required, provide correct details and/or dimensions to ensure proper coordination. 3) Drawings marked 'approved' or 'approved as noted' shall be interpreted as an accurate condition of job requirements and such approval shall authorize release to fabrication. 4) FreMaq shall not be responsible for any errors and/or work that occurs from the use of these drawings by other trades.</p>											



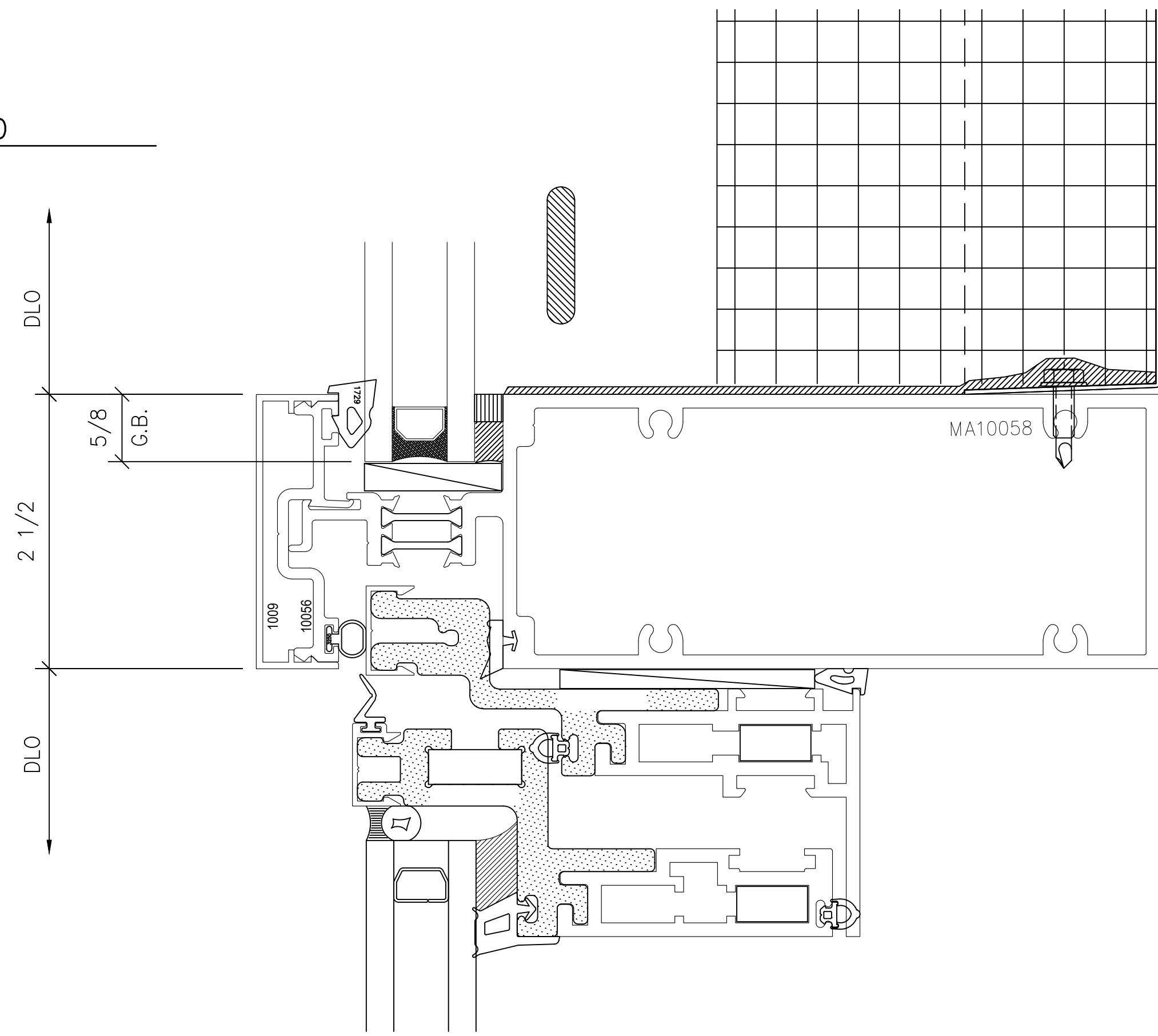
PROJECT:		US8375 (NARROW)	
LOCATION:			
ARCHITECT:			
CONTRACTOR:			
DRAWN BY:		TAF	
DATE:		10/16/23	
NO.		BY	
REVISIONS			
GENERAL NOTES: 1) Contractor to verify all dimensions in the field. All framing will be manufactured to the dimensions indicated unless otherwise noted. 2) Architect to review all conditions for compliance to contract documents and, if required, provide correct details and/or dimensions to ensure proper coordination. 3) Drawings marked "approved" or "approved as noted" shall be interpreted as an accurate condition of job requirements and such approval shall authorize release to fabrication. 4) Fremaraq shall not be responsible for any errors and/or work that occurs from the use of these drawings by other trades.			
JOB NUMBER			
SHEET TITLE		DETAIL SHEET	
DRAWING SCALE		11x17 = 6" = 1'-0" 22x34 = 12" = 1'-0"	
DRAWING NO.		D03	

J D04 SLAB ANCHOR PLAN VIEW

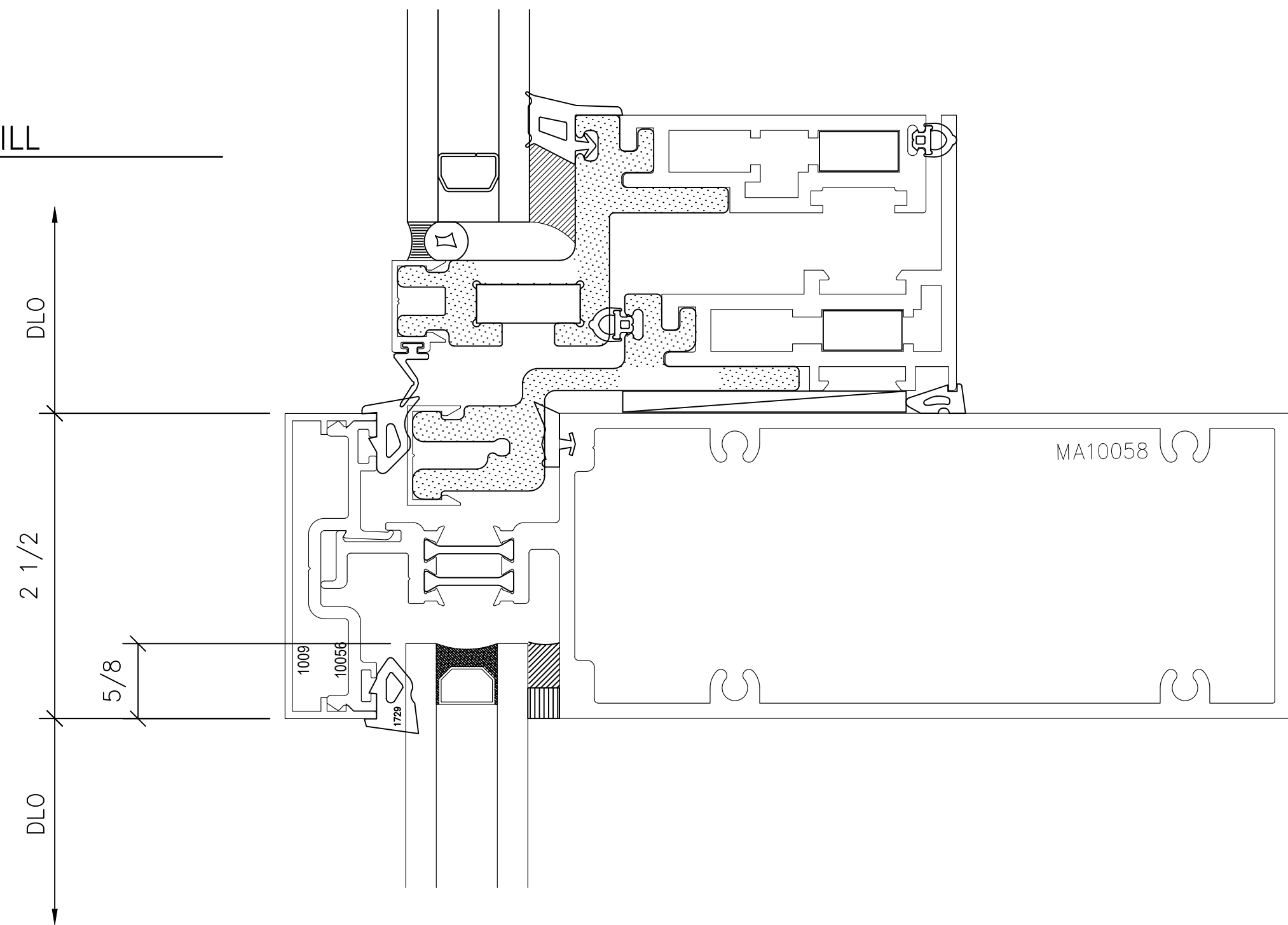


PROJECT:		US8375 (NARROW)	
LOCATION:			
ARCHITECT:			
CONTRACTOR:			
JOB NUMBER			
SHEET TITLE		DETAIL SHEET	
DRAWING SCALE		11x17 = 6" = 1'-0" 22x34 = 12" = 1'-0"	
DRAWING NO.		D04	
DRAWN BY:	TAF	NO.	BY
DATE:	10/16/23	NO.	DATE
GENERAL NOTES:		REVISIONS	
1) Contractor to verify all dimensions in the field. All framing will be manufactured to the dimensions indicated unless otherwise noted.			
2) Architect to review all conditions for compliance to contract documents and, if required, provide correct details and/or dimensions to ensure proper coordination.			
3) Drawings marked 'approved' or 'approved as noted' shall be interpreted as an accurate condition of job requirements and such approval shall authorize release to fabrication.			
4) PreMarq shall not be responsible for any errors and/or work that occurs from the use of these drawings by other trades.			

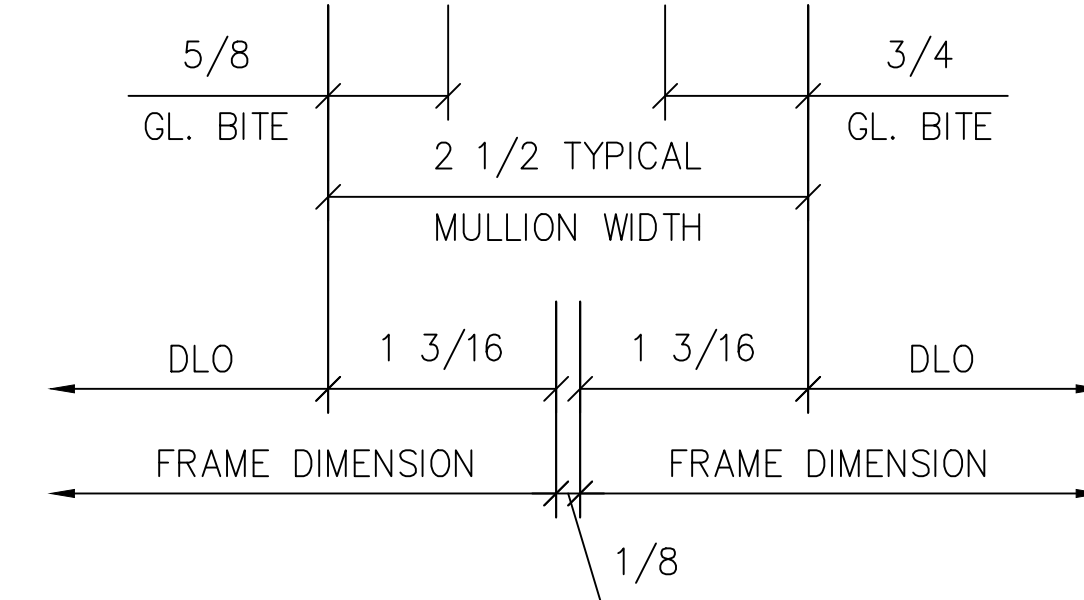
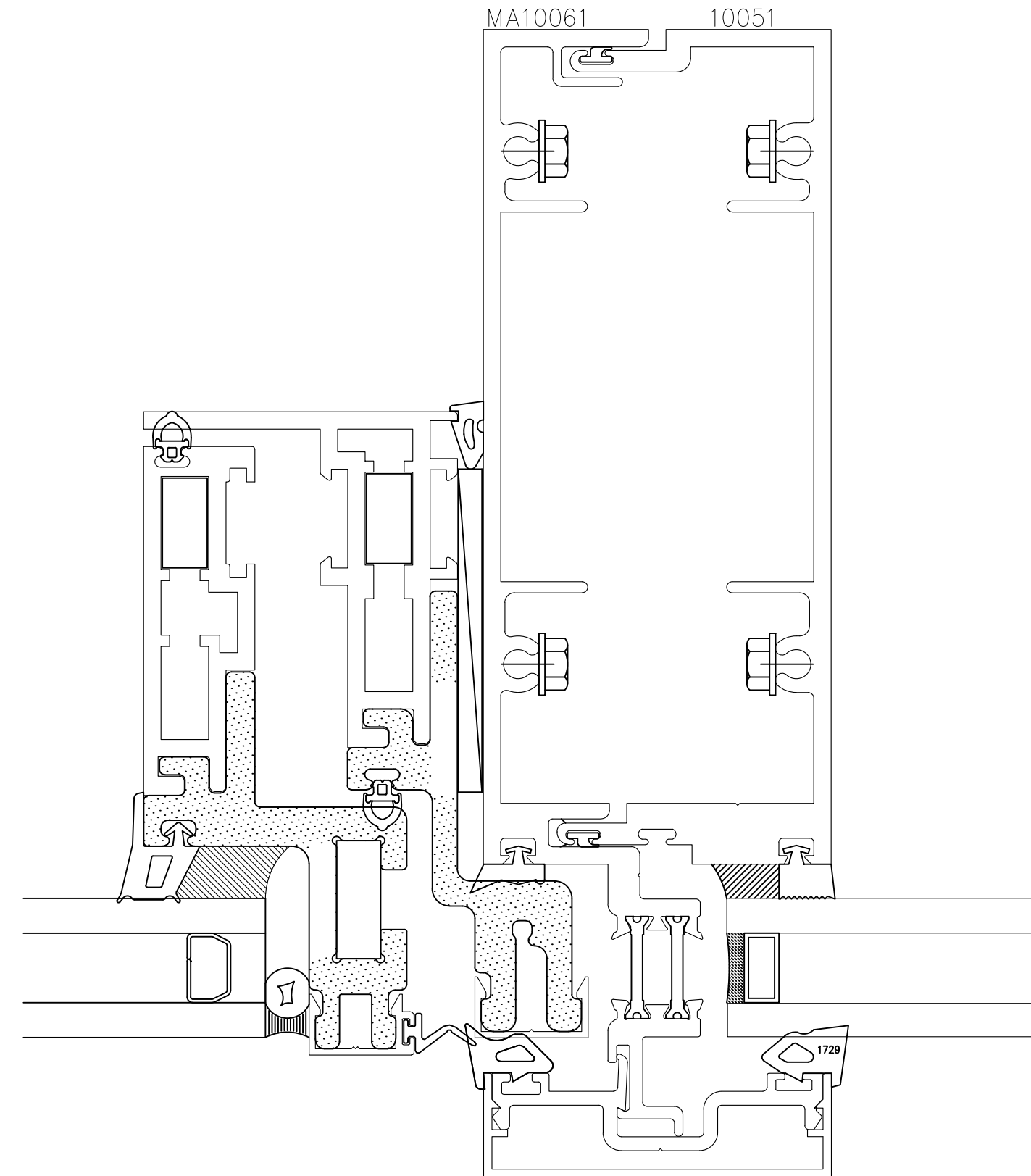
K D05 VENT HEAD



L D05 VENT SILL



M D05 VENT JAMB



PROJECT:		US8375 (NARROW)	
LOCATION:			
ARCHITECT:			
CONTRACTOR:			
DRAWN BY:		TAF	
DATE:		10/16/23	
GENERAL NOTES:		REVISIONS	
1) Contractor to verify all dimensions in the field. All framing will be manufactured to the dimensions indicated unless otherwise noted.			
2) Architect to review all conditions for compliance to contract documents and, if required, provide correct details and/or dimensions to ensure proper coordination.			
3) Drawings marked 'approved' or 'approved as noted' shall be interpreted as an accurate condition of job requirements and such approval shall authorize release to fabrication.			
4) FreeMarq shall not be responsible for any errors and/or work that occurs from the use of these drawings by other trades.			
JOB NUMBER			
SHEET TITLE		DETAIL SHEET	
DRAWING SCALE		11x17 = 6" = 1'-0" 22x34 = 12" = 1'-0"	
DRAWING NO.		D05	