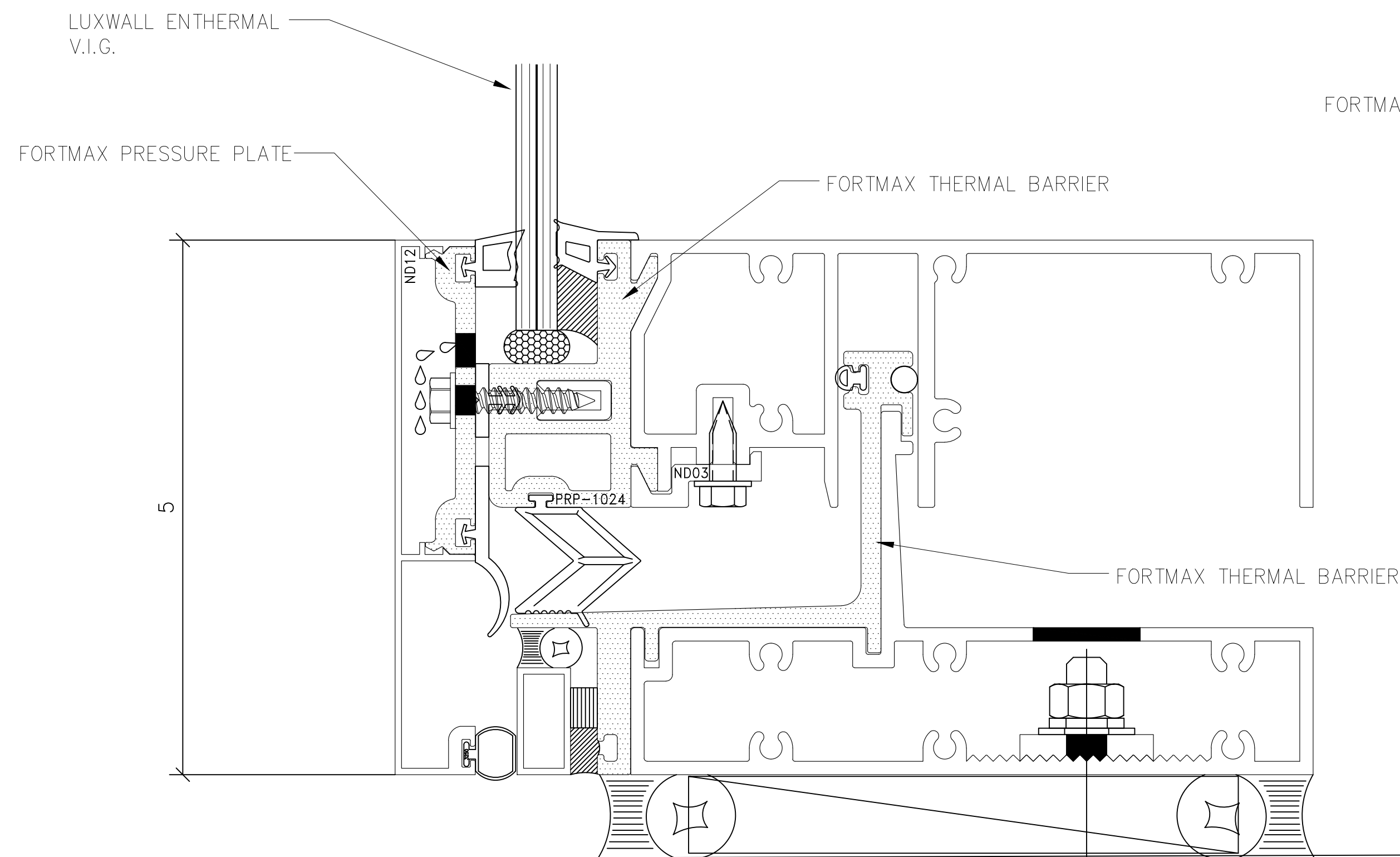
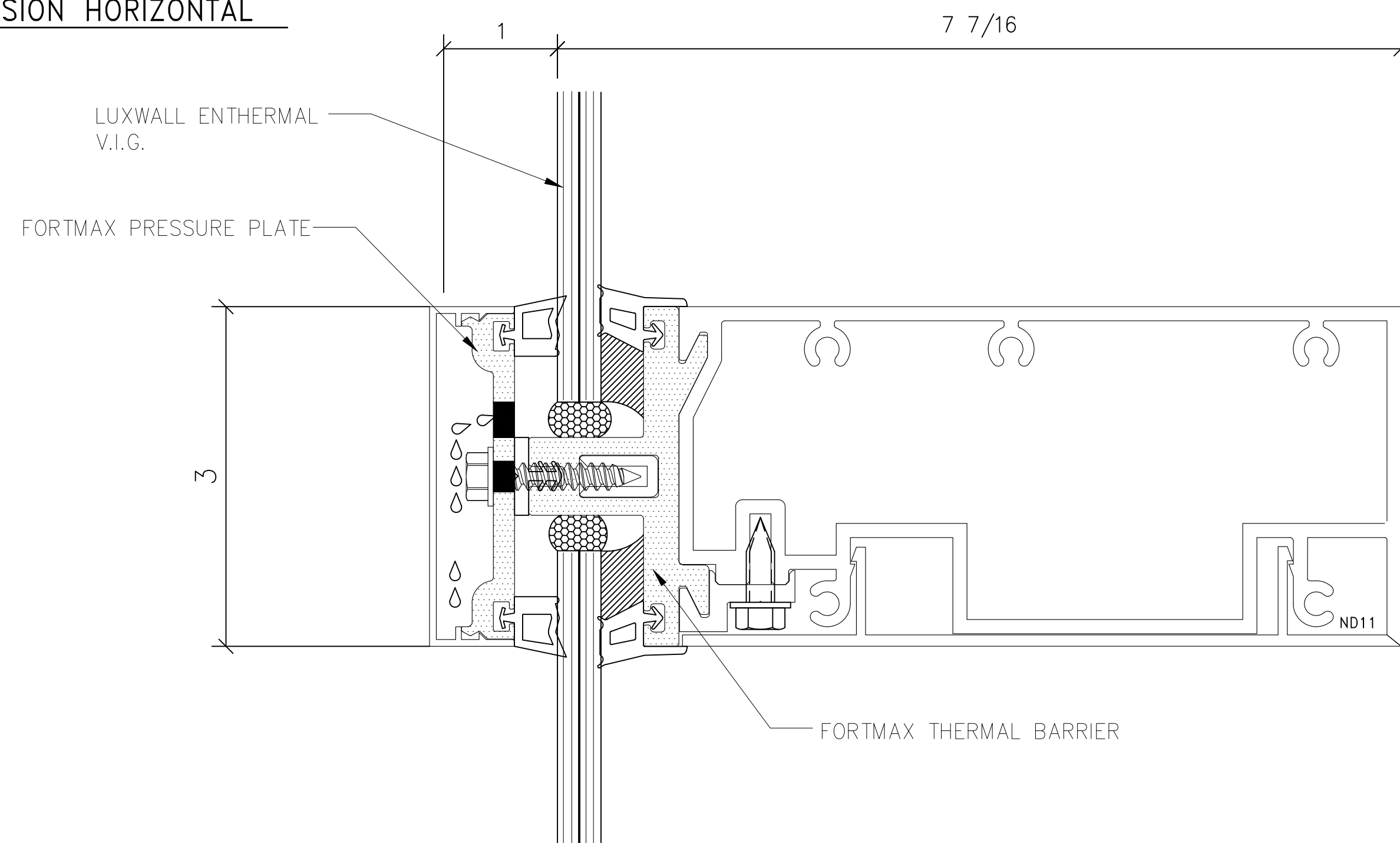
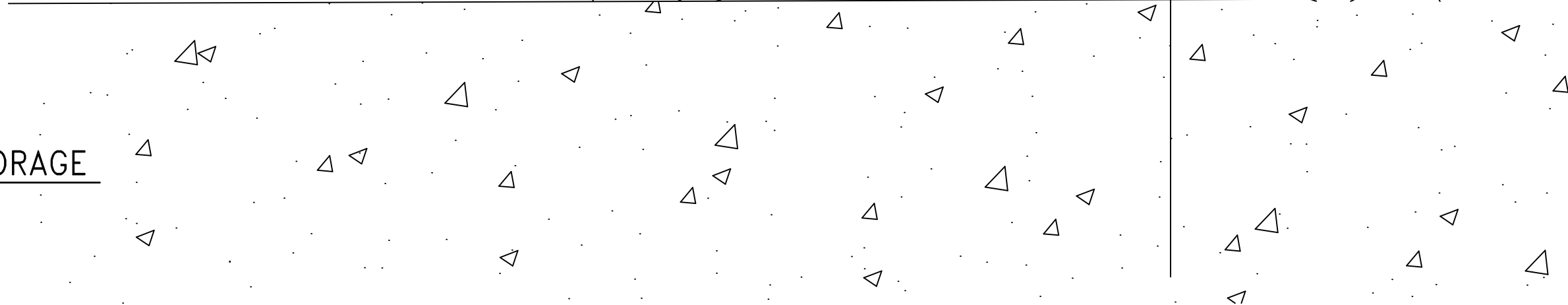




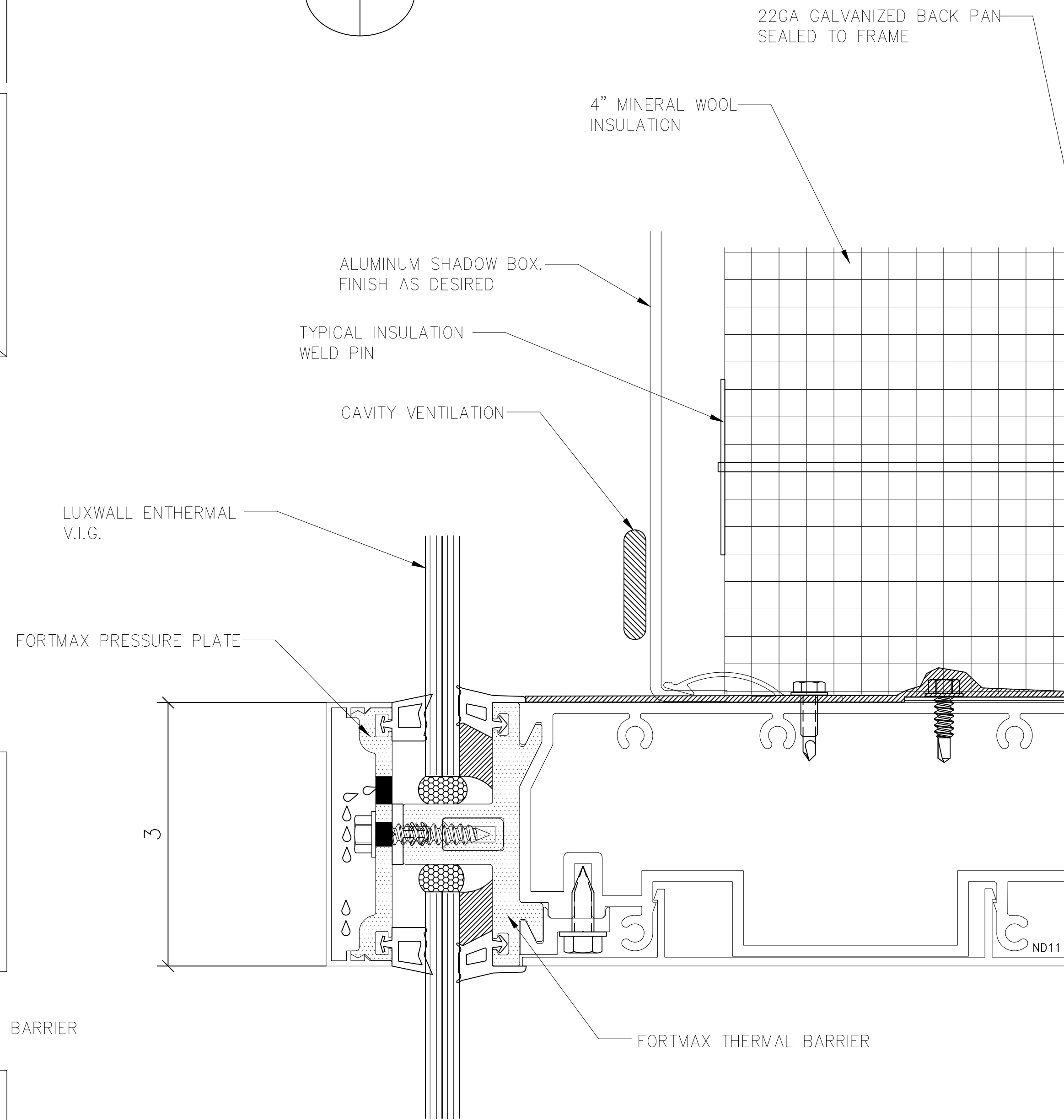
A D01 VISION HORIZONTAL



B D01 STARTER ANCHORAGE

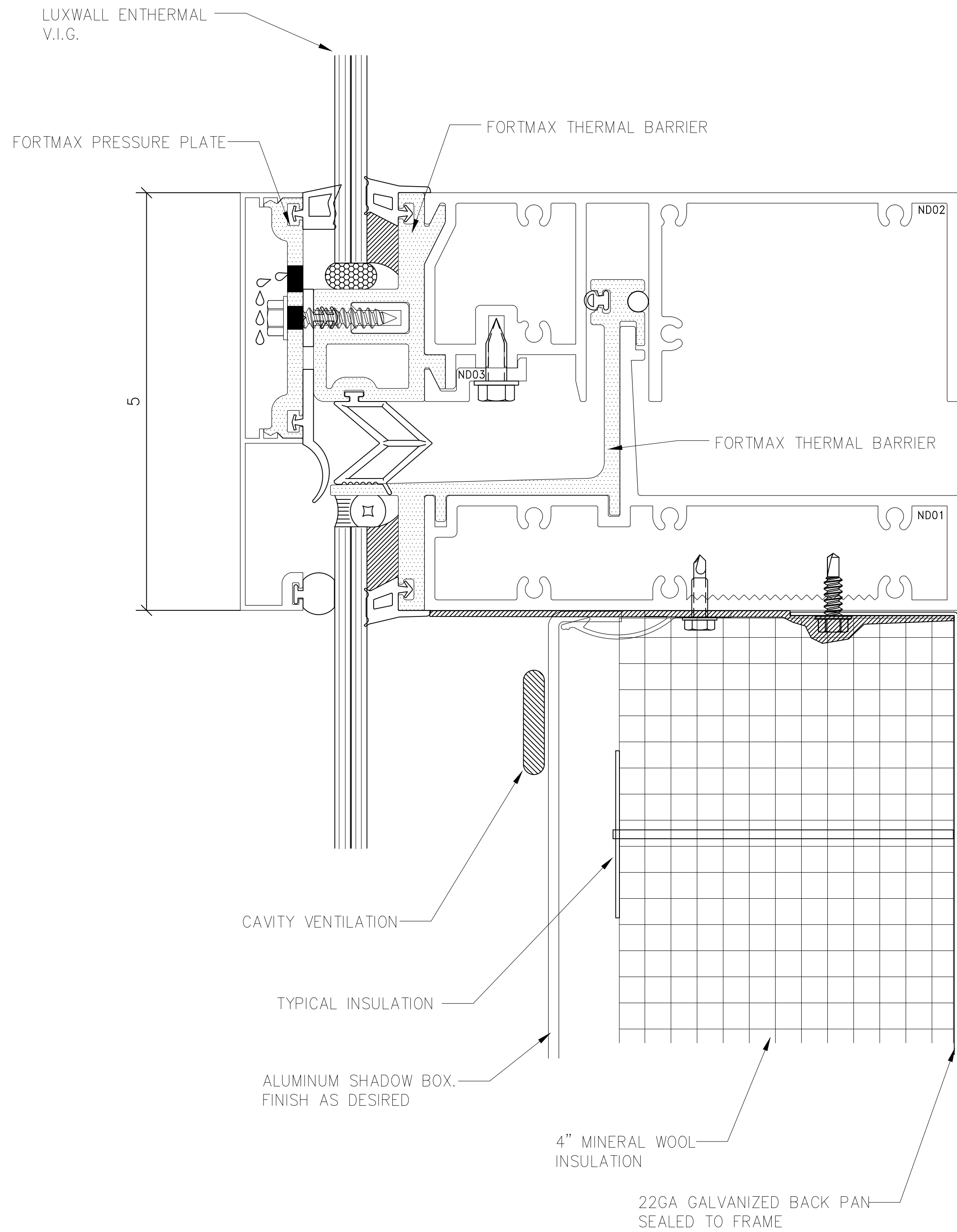


C D01 SHADOW BOX HORIZONTAL

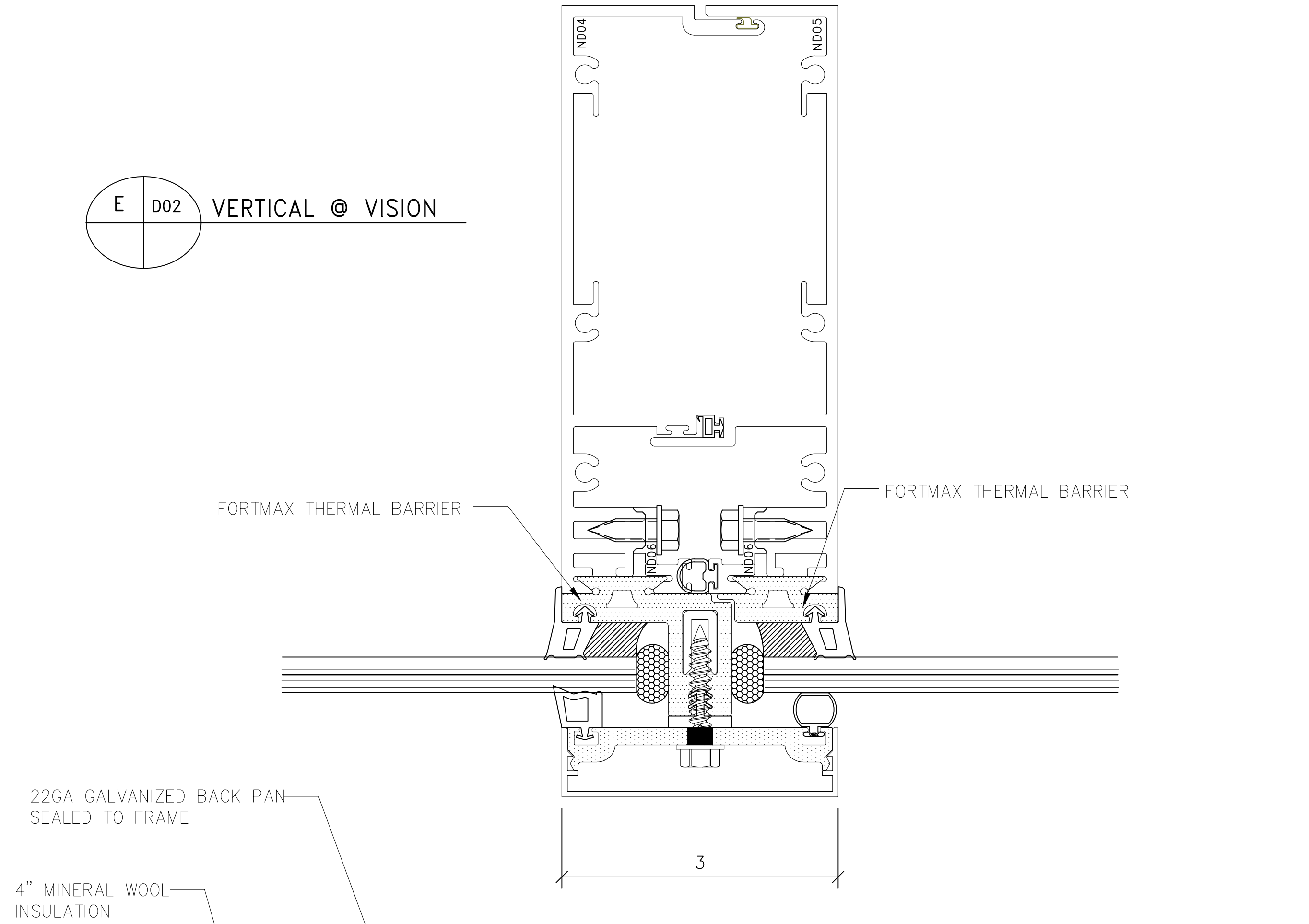


PROJECT:		VIG CAOTURED UNITIZED CW	
LOCATION:			
ARCHITECT:			
CONTRACTOR:			
DRAWN BY: TAF		REVISIONS	
DATE: 01/04/23		NO.	BY
		DATE	
<p>GENERAL NOTES:</p> <p>1) Contractor to verify all dimensions in the field. All framing will be manufactured to the dimensions indicated unless otherwise noted.</p> <p>2) Architect to review all conditions for compliance to contract documents and, if required, provide correct details and/or dimensions to ensure proper coordination.</p> <p>3) Drawings marked 'approved' or 'approved as noted' shall be interpreted as an accurate condition of job requirements and such approval shall authorize release to fabrication.</p> <p>4) Fremara shall not be responsible for any errors and/or work that occurs from the use of these drawings by other trades.</p>			
<p><b>Fremara</b> INNOVATIONS</p> <p>1101 NORTH MILL STREET MERRILL, WISCONSIN 54452 WWW.FREMARAINNOVATIONS.COM</p>		<p>PH: (715) 842-6842</p>	
JOB NUMBER			
SHEET TITLE		DETAIL SHEET	
DRAWING SCALE		11x17 = 6" = 1'-0"	
		22x34 = 12" = 1'-0"	
DRAWING NO.		D01	

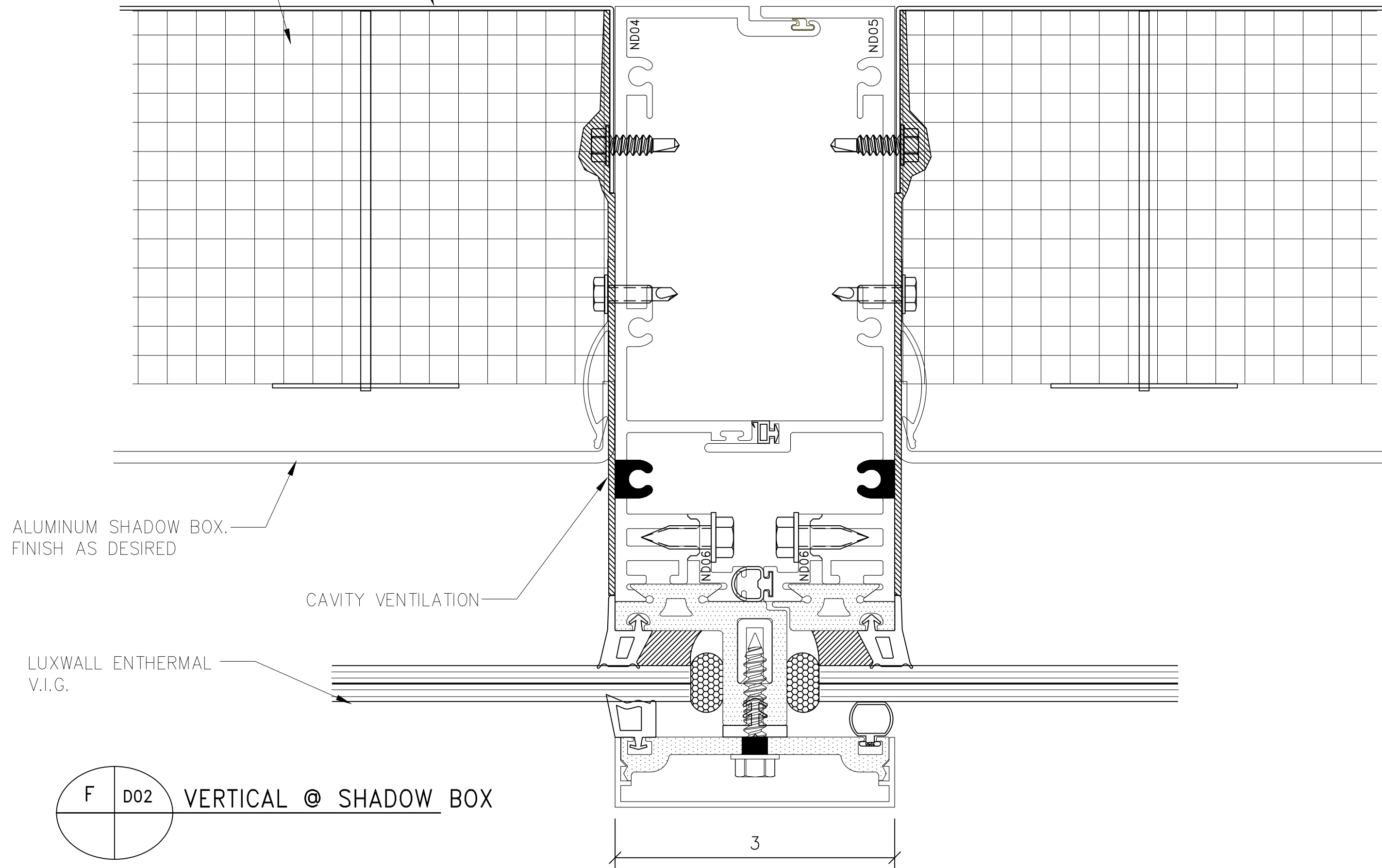
D D02 HORIZONTAL STACK



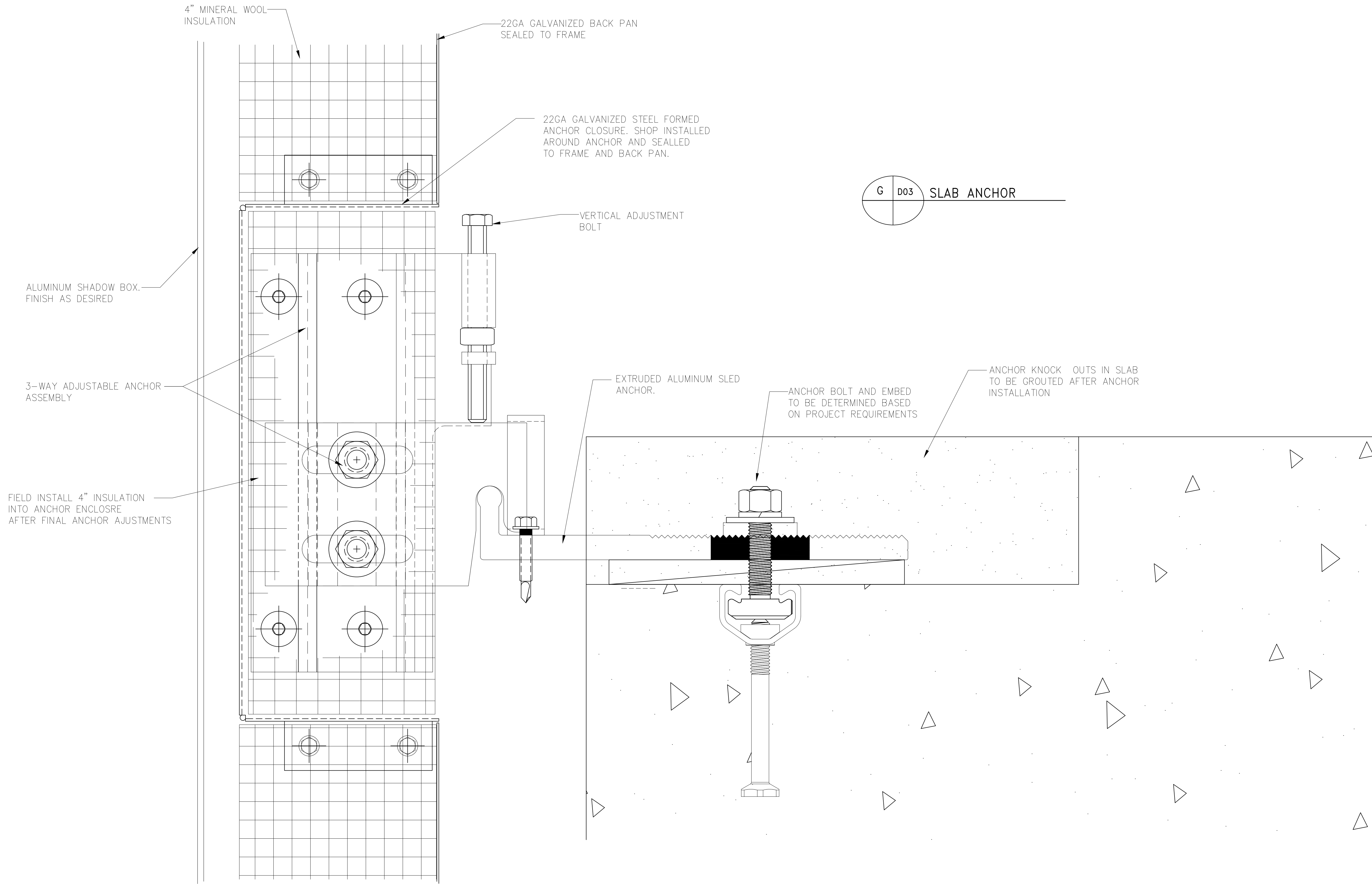
E D02 VERTICAL @ VISION



F D02 VERTICAL @ SHADOW BOX



PROJECT:		VIG UNITIZED CAPTURED CW	
LOCATION:			
ARCHITECT:			
CONTRACTOR:			
JOB NUMBER			
SHEET TITLE		DETAIL SHEET	
DRAWING SCALE		11x17 = 6"= 1'-0" 22x34 = 12"= 1'-0"	
DRAWING NO.		D02	
DRAWN BY:	TAF	NO.	REVISIONS
DATE:	01/04/23	DATE	BY
<p>GENERAL NOTES:</p> <p>1) Contractor to verify all dimensions in the field. All framing will be manufactured to the dimensions indicated unless otherwise noted.</p> <p>2) Architect to review all conditions for compliance to contract documents and, if required, provide correct details and/or dimensions to ensure proper coordination.</p> <p>3) Drawings marked "approved" or "approved as noted" shall be interpreted as an accurate condition of job requirements and such approval shall authorize release to fabrication.</p> <p>4) Fremara shall not be responsible for any errors and/or work that occurs from the use of these drawings by other trades.</p>			



G D03 SLAB ANCHOR

ALUMINUM SHADOW BOX.  
FINISH AS DESIRED

3-WAY ADJUSTABLE ANCHOR  
ASSEMBLY

FIELD INSTALL 4" INSULATION  
INTO ANCHOR ENCLOSRE  
AFTER FINAL ANCHOR AJUSTMENTS

4" MINERAL WOOL  
INSULATION

22GA GALVANIZED BACK PAN  
SEALED TO FRAME

22GA GALVANIZED STEEL FORMED  
ANCHOR CLOSURE. SHOP INSTALLED  
AROUND ANCHOR AND SEALED  
TO FRAME AND BACK PAN.

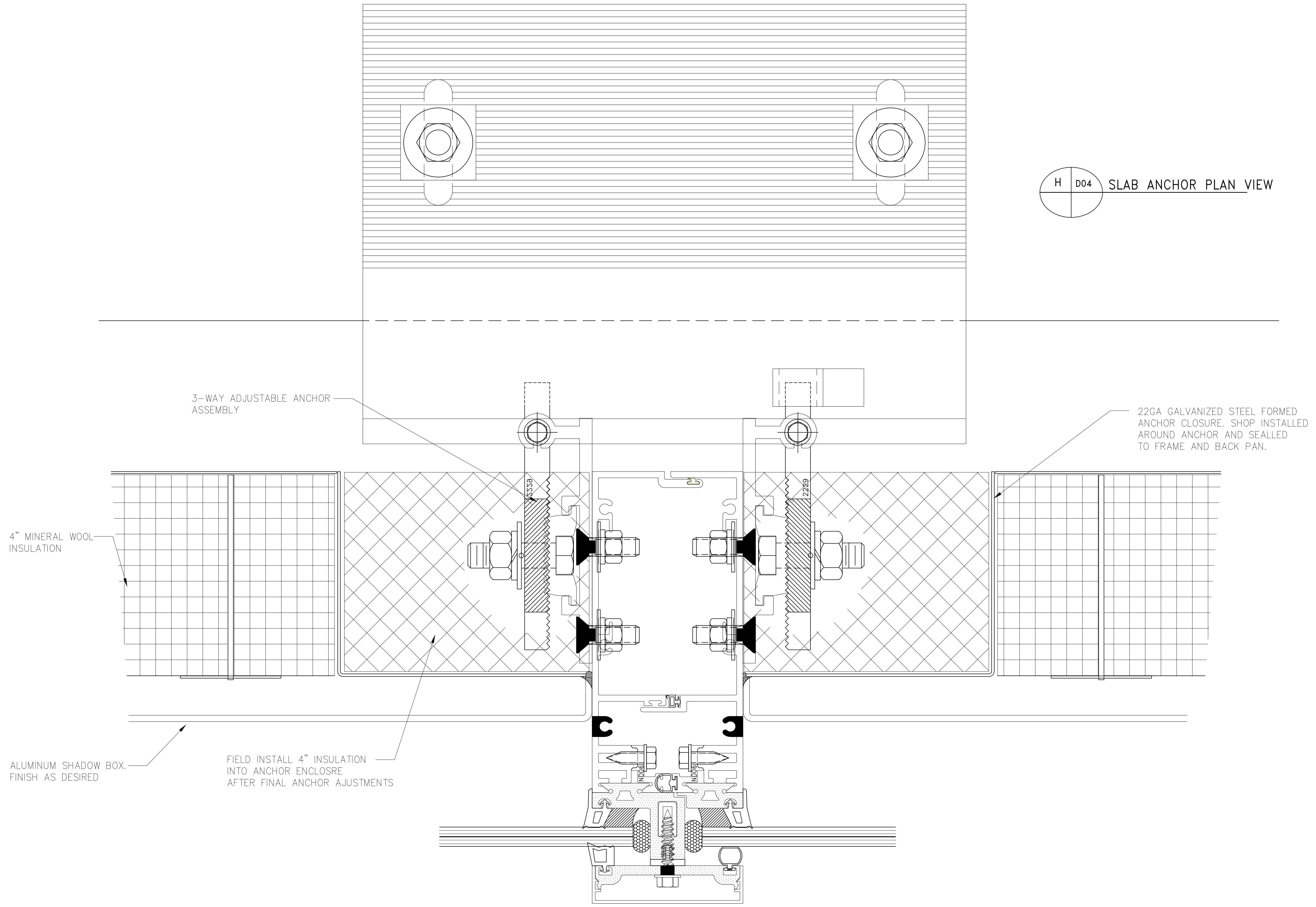
VERTICAL ADJUSTMENT  
BOLT

EXTRUDED ALUMINUM SLED  
ANCHOR.

ANCHOR BOLT AND EMBED  
TO BE DETERMINED BASED  
ON PROJECT REQUIREMENTS

ANCHOR KNOCK OUTS IN SLAB  
TO BE GROUTED AFTER ANCHOR  
INSTALLATION

PROJECT: <b>VIG CAPTURED UNITIZED CW</b>	DRAWN BY: TAF	NO.	BY
	DATE: 10/12/23	NO.	DATE
LOCATION:	REVISIONS		
ARCHITECT:	NO.		
CONTRACTOR:	DATE		
<b>GENERAL NOTES:</b> 1) Contractor to verify all dimensions in the field. All framing will be manufactured to the dimensions indicated unless otherwise noted. 2) Architect to verify all conditions for compliance to contract documents and, if required, provide correct details and/or dimensions to ensure proper coordination. 3) Drawings marked "approved" or "approved as noted" shall be interpreted as an accurate condition of job requirements and such approval shall authorize release to fabrication. 4) Fremaraq shall not be responsible for any errors and/or work that occurs from the use of these drawings by other trades.			
<b>1101 NORTH MILL STREET</b> <b>MERRILL, WISCONSIN 54452</b> <b>WWW.FREMARQINNOVATIONS.COM</b>			
<b>JOB NUMBER</b>			
<b>SHEET TITLE</b> <b>DETAIL SHEET</b>			
<b>DRAWING SCALE</b> 11x17 = 6" = 1'-0" 22x34 = 12" = 1'-0"			
<b>DRAWING NO.</b> <b>D03</b>			

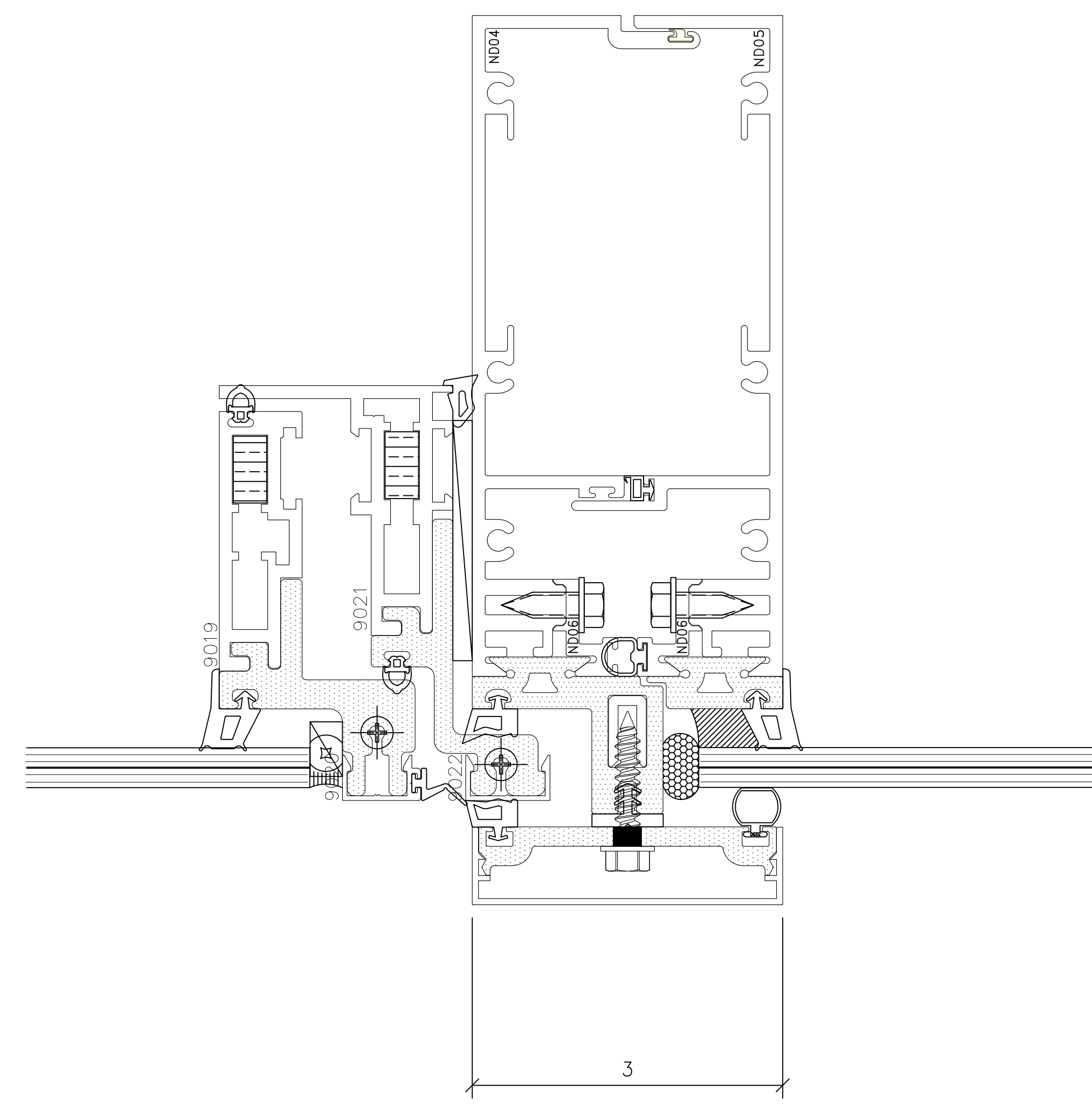
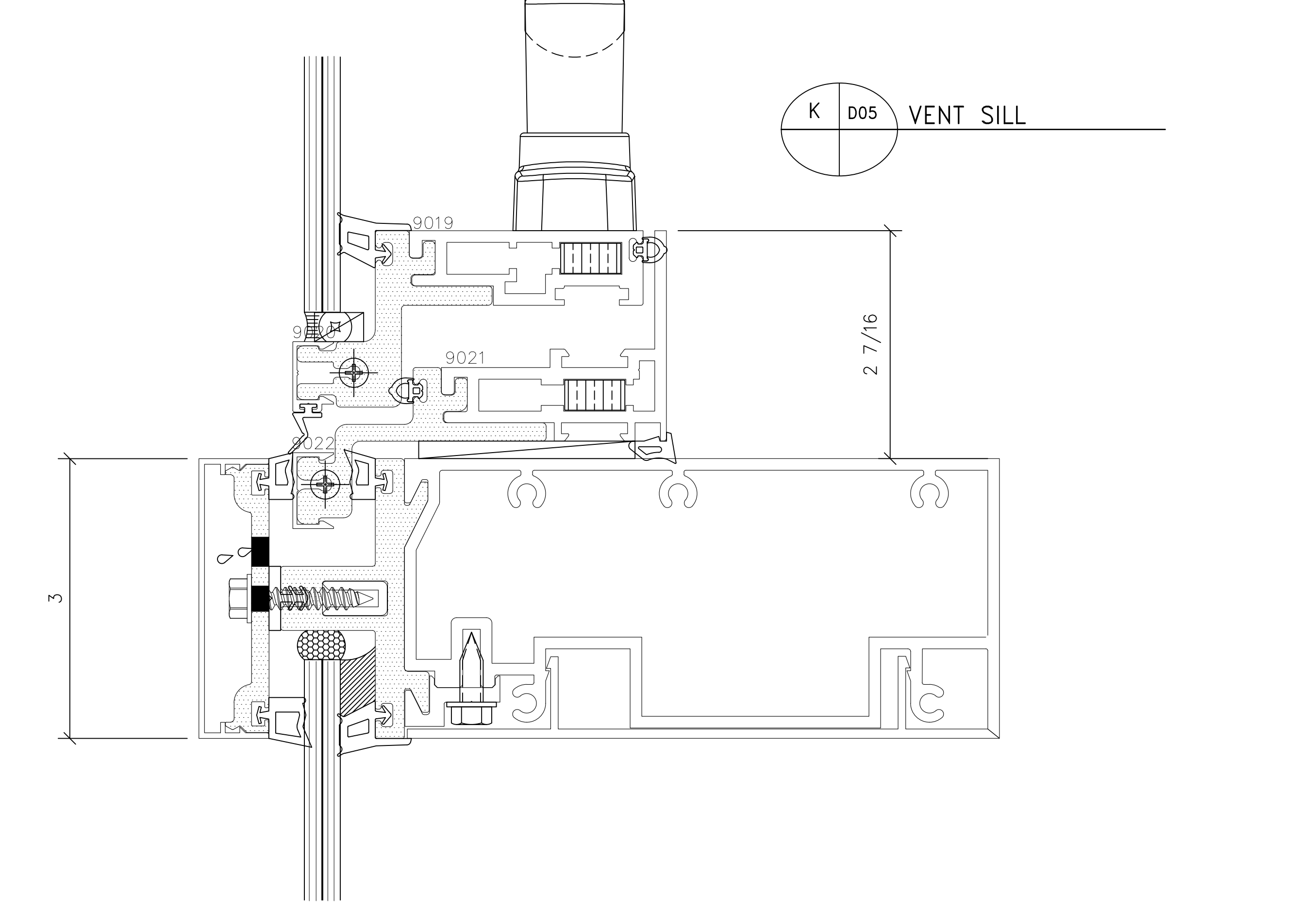
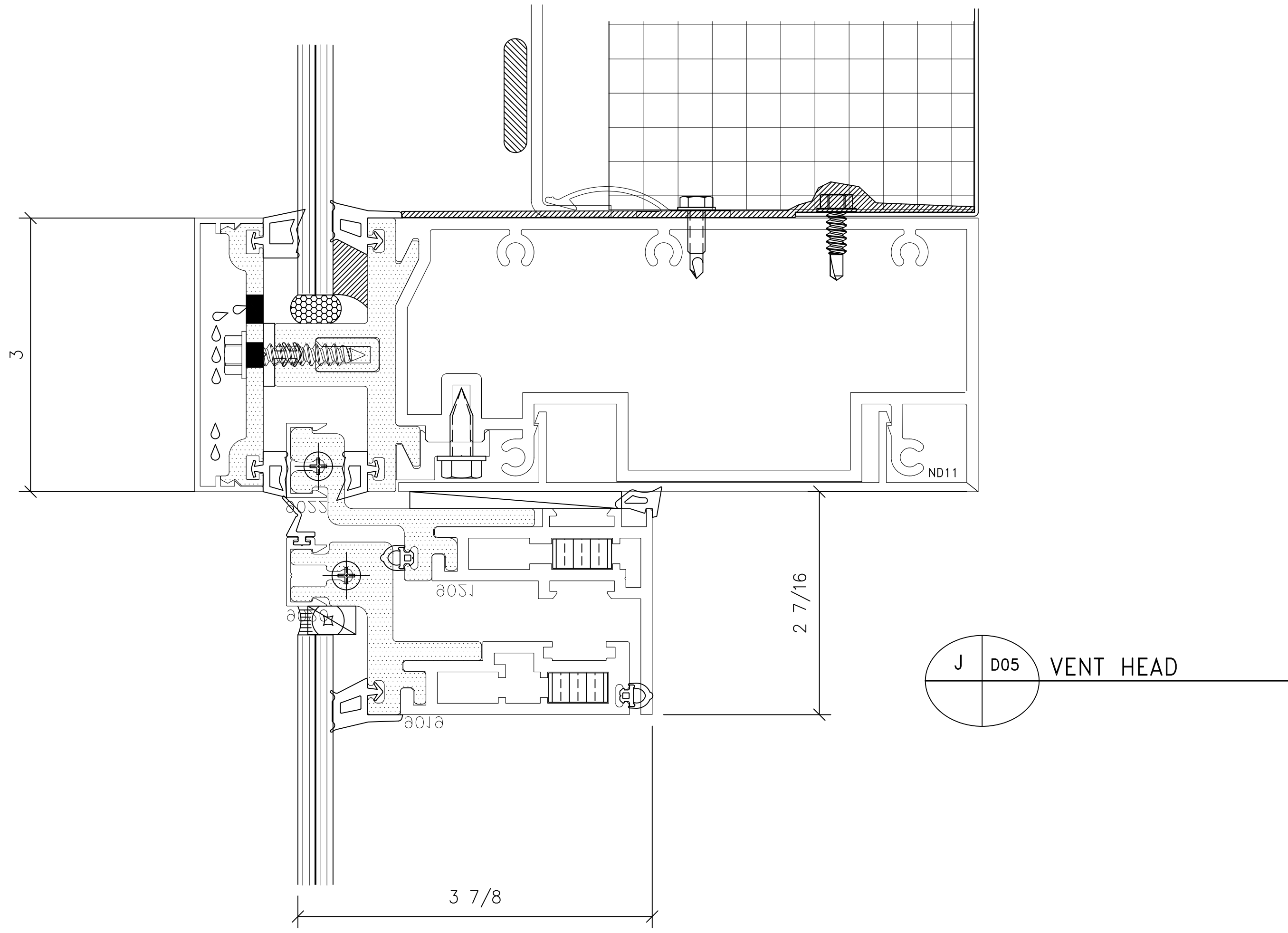


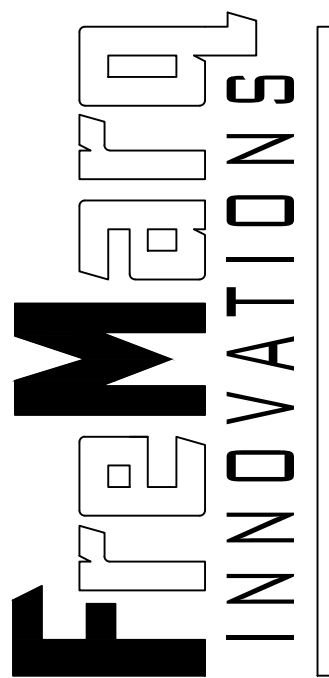
H D04 SLAB ANCHOR PLAN VIEW

<b>PROJECT:</b> VIG CAPTURED UNITIZED CW	<b>DRAWN BY:</b> TAF	<input type="checkbox"/>	<input type="checkbox"/>	<input type="checkbox"/>
	<b>DATE:</b> 10/12/23	<b>NO.</b>	<b>DATE</b>	<b>BY</b>
<b>LOCATION:</b> <b>ARCHITECT:</b> <b>CONTRACTOR:</b>	<b>GENERAL NOTES:</b> 1) Contractor to verify all dimensions in the field. All framing will be manufactured to the dimensions indicated unless otherwise noted. 2) Architect to review all conditions for compliance to contract documents and, if required, provide correct details and/or dimensions to ensure proper coordination. 3) Drawings marked "approved" or "approved as noted" shall be interpreted as an accurate condition of job requirements and such approval shall authorize release to fabrication. 4) PreMarq shall not be responsible for any errors and/or work that occurs from the use of these drawings by other trades.			
<b>JOB NUMBER</b>	<b>SHEET TITLE</b> DETAIL SHEET			
<b>DRAWING SCALE</b> 11x17 = 6" = 1'-0" 22x34 = 12" = 1'-0"	<b>DRAWING NO.</b> D04			

**PreMarq**  
**INNOVATIONS**  
 1101 NORTH MILL STREET PE: (715) 842-6842  
 MERRILL, WISCONSIN 54452  
 WWW.PREMARQINNOVATIONS.COM





PROJECT: <b>VIG CAPTURED UNITIZED CW</b>		DRAWN BY: TAF	NO.	DATE	BY	REVISIONS
LOCATION:		DATE: 10/12/23	NO.	DATE	BY	REVISIONS
ARCHITECT:		GENERAL NOTES: 1) Contractor to verify all dimensions in the field. All framing will be manufactured to the dimensions indicated unless otherwise noted. 2) Architect to review all conditions for compliance to contract documents and, if required, provide correct details and/or dimensions to ensure proper coordination. 3) Drawings marked 'approved' or 'approved as noted' shall be interpreted as an accurate condition of job requirements and such approval shall authorize release to fabrication. 4) Fremaraq shall not be responsible for any errors and/or work that occurs from the use of these drawings by other trades.				
CONTRACTOR:						
 1101 NORTH MILL STREET MERRILL, WISCONSIN 54452 WWW.FREMARQINNOVATIONS.COM		JOB NUMBER				
SHEET TITLE <b>DETAIL SHEET</b>		DRAWING SCALE 11x17 = 6" = 1'-0" 22x34 = 12" = 1'-0"				
DRAWING NO. <b>D05</b>						