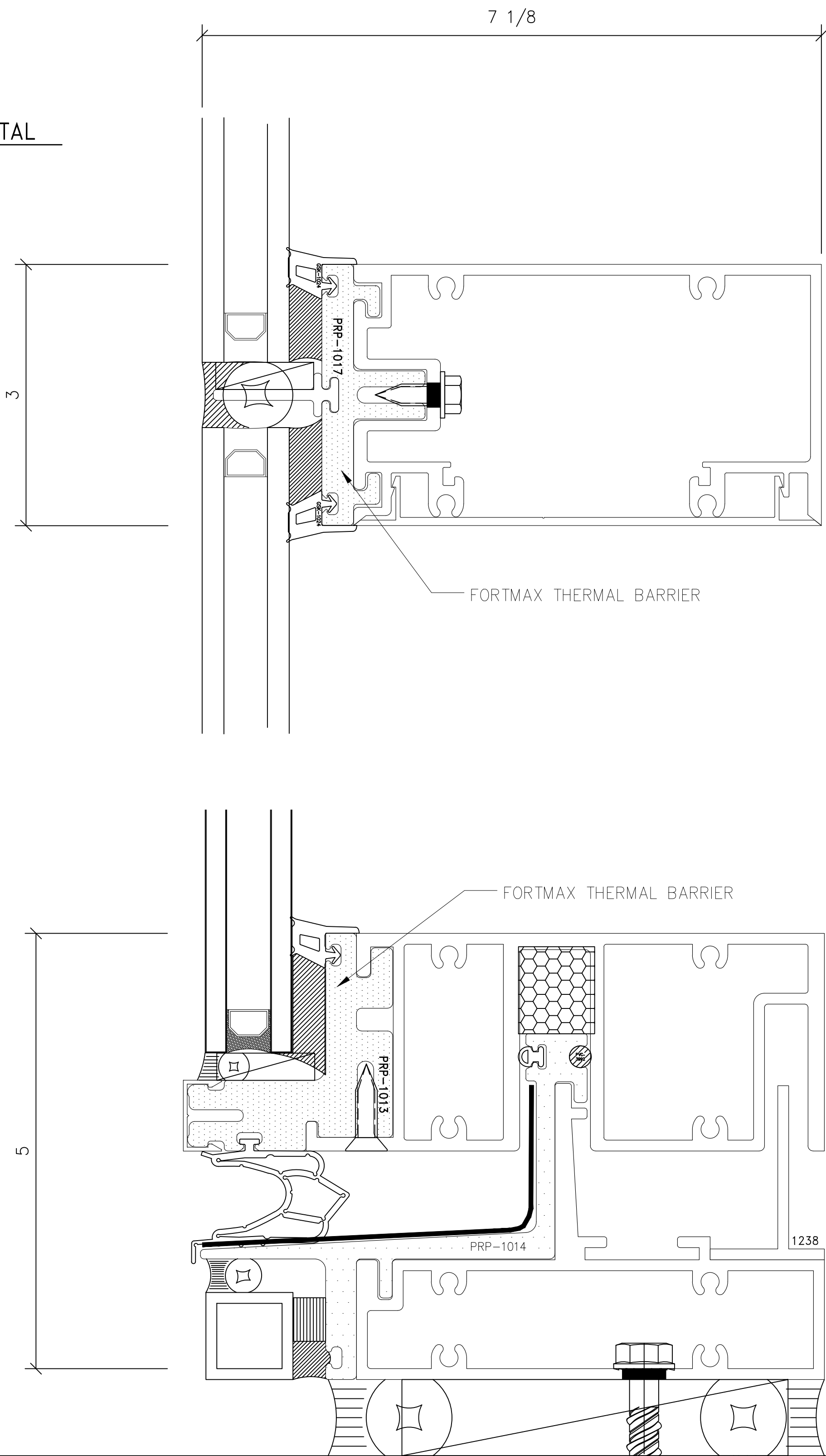


PROJECT: UCW3500 SSG CW W/ 1" IGU		DRAWN BY: TAS		NO.		DATE		REVISIONS	
LOCATION:		DATE: 10/16/23		NO.		DATE		BY	
ARCHITECT:		GENERAL NOTES:							
CONTRACTOR:		1) Contractor to verify all dimensions in the field. All framing will be manufactured to the dimensions indicated unless otherwise noted. 2) Architect to review all conditions for compliance to contract documents and, if required, provide correct details and/or dimensions to ensure proper coordination. 3) Drawings marked "approved" or "approved as noted" shall be interpreted as an accurate condition of job requirements and such approval shall authorize release to fabrication. 4) Fremara shall not be responsible for any errors and/or work that occurs from the use of these drawings by other trades.							
JOB NUMBER		DRAWING NO. E01							
SHEET TITLE ELEVATION SHEET		DRAWING SCALE 11x17 = 6" = 1'-0" 22x34 = 12" = 1'-0"							

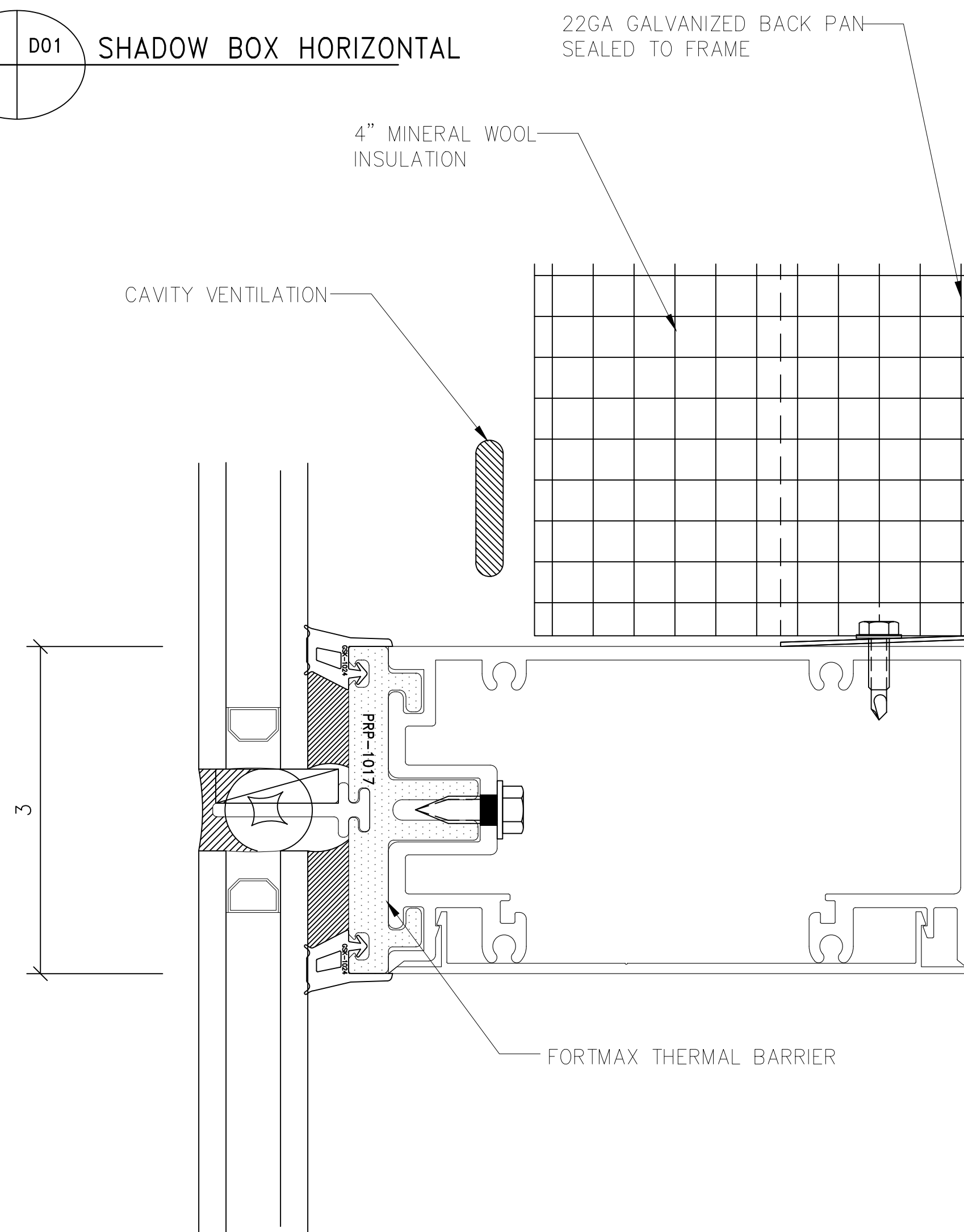
Fremara
INNOVATIONS
 1101 NORTH MILL STREET PE: (715) 842-6842
 MERRILL, WISCONSIN 54452
 WWW.FREMARAINNOVATIONS.COM

B D01 STARTER ANCHORAGE

A D01 VISION HORIZONTAL



C D01 SHADOW BOX HORIZONTAL



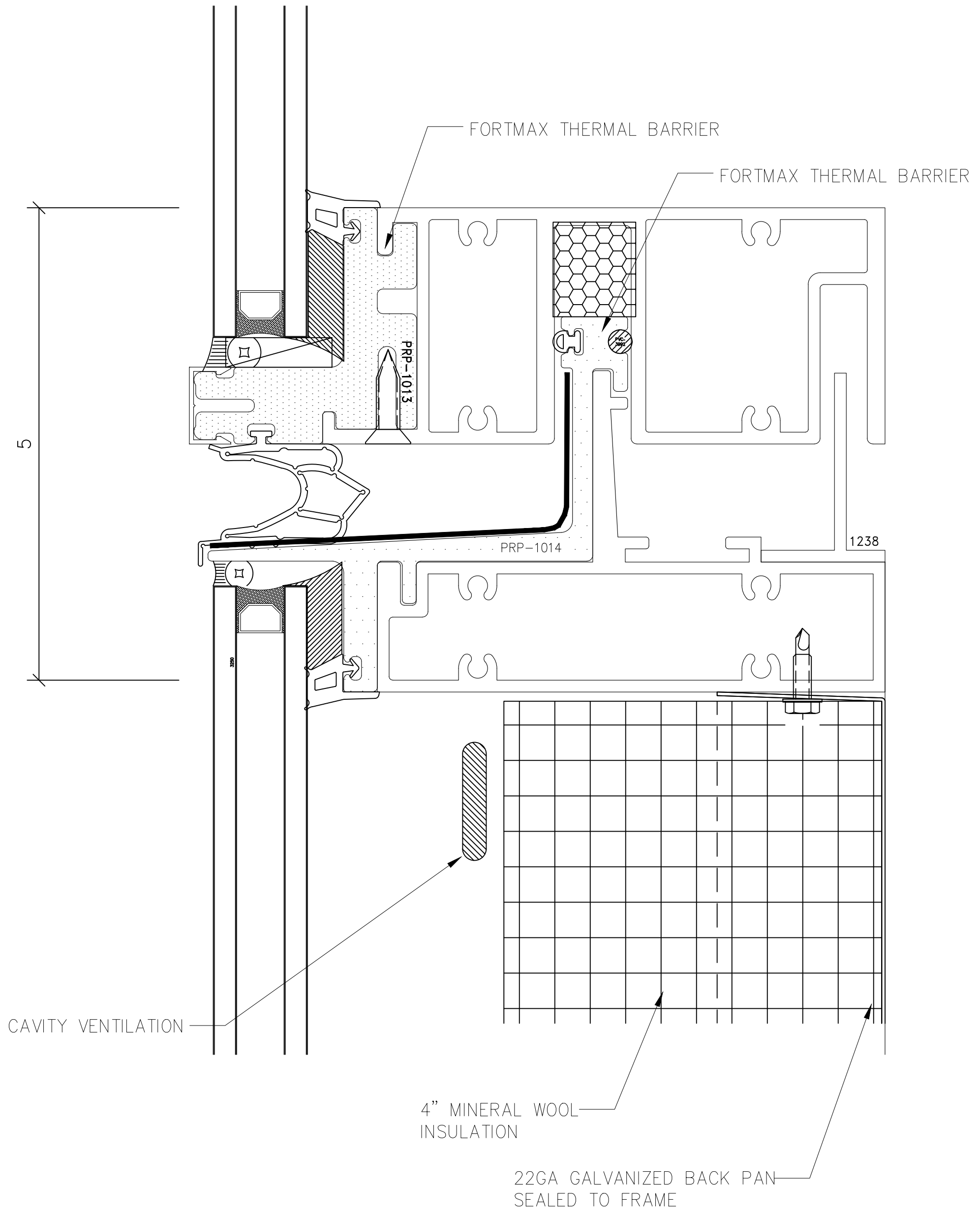
PROJECT: UCW3500 SSG CW W/ 1" IGU

Fremara
INNOVATIONS
1101 NORTH MILL STREET PE: (715) 842-6842
MERRILL, WISCONSIN 54452
WWW.FREMARAINNOVATIONS.COM

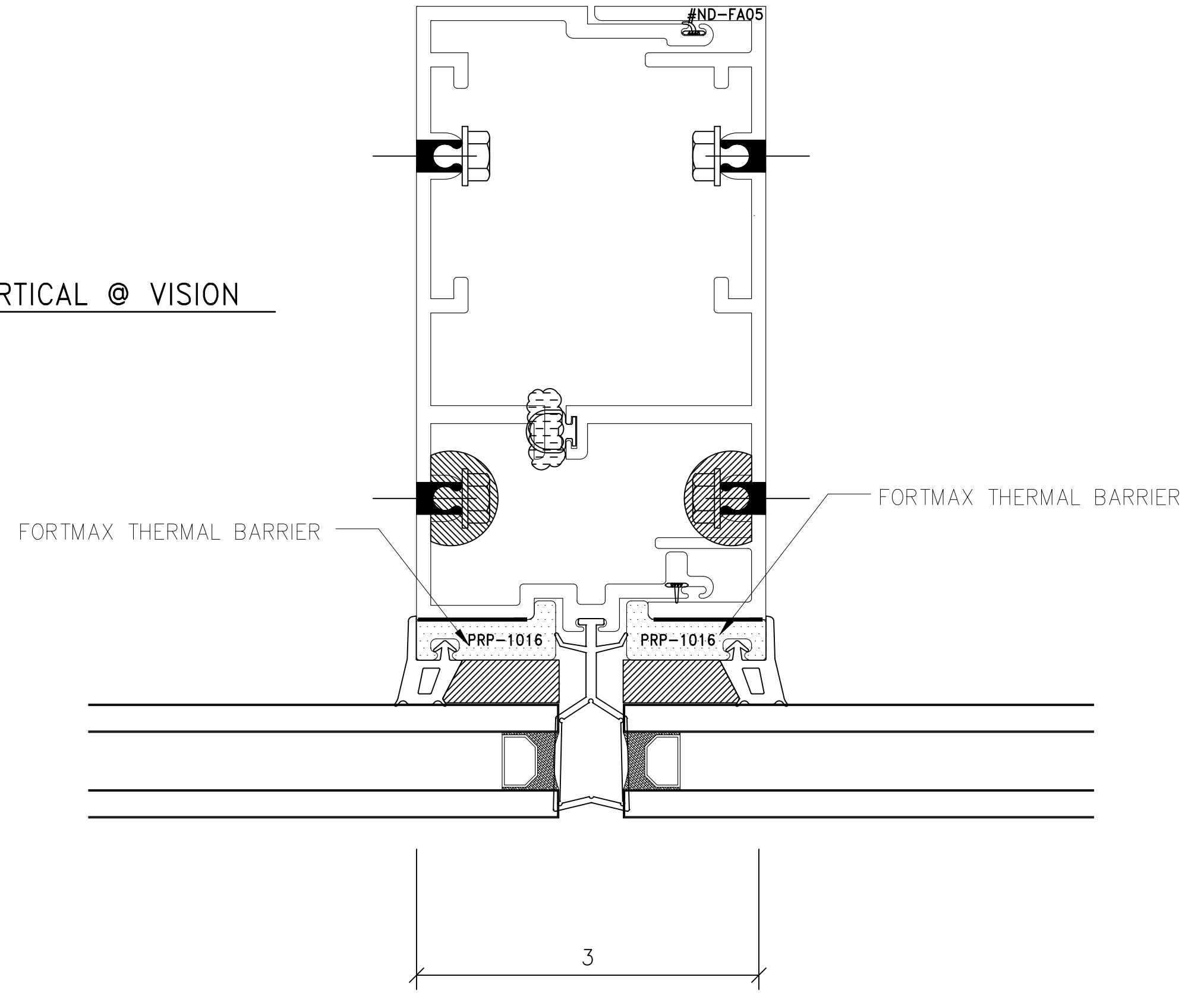
JOB NUMBER
SHEET TITLE
DETAIL SHEET
DRAWING SCALE
11x17 = 6" = 1'-0"
22x34 = 12" = 1'-0"
DRAWING NO.
D01

DRAWN BY: TAF	NO.	DATE	BY
DATE: 10/16/23			
REVISIONS			
GENERAL NOTES: 1) Contractor to verify all dimensions in the field. All framing will be manufactured to the dimensions indicated unless otherwise noted. 2) Architect to review all conditions for compliance to contract documents and, if required, provide correct details and/or dimensions to ensure proper coordination. 3) Drawings marked 'approved' or 'approval as noted' shall be interpreted as an accurate condition of job requirements and such approval shall authorize release to fabrication. 4) Fremara shall not be responsible for any errors and/or work that occurs from the use of these drawings by other trades.			

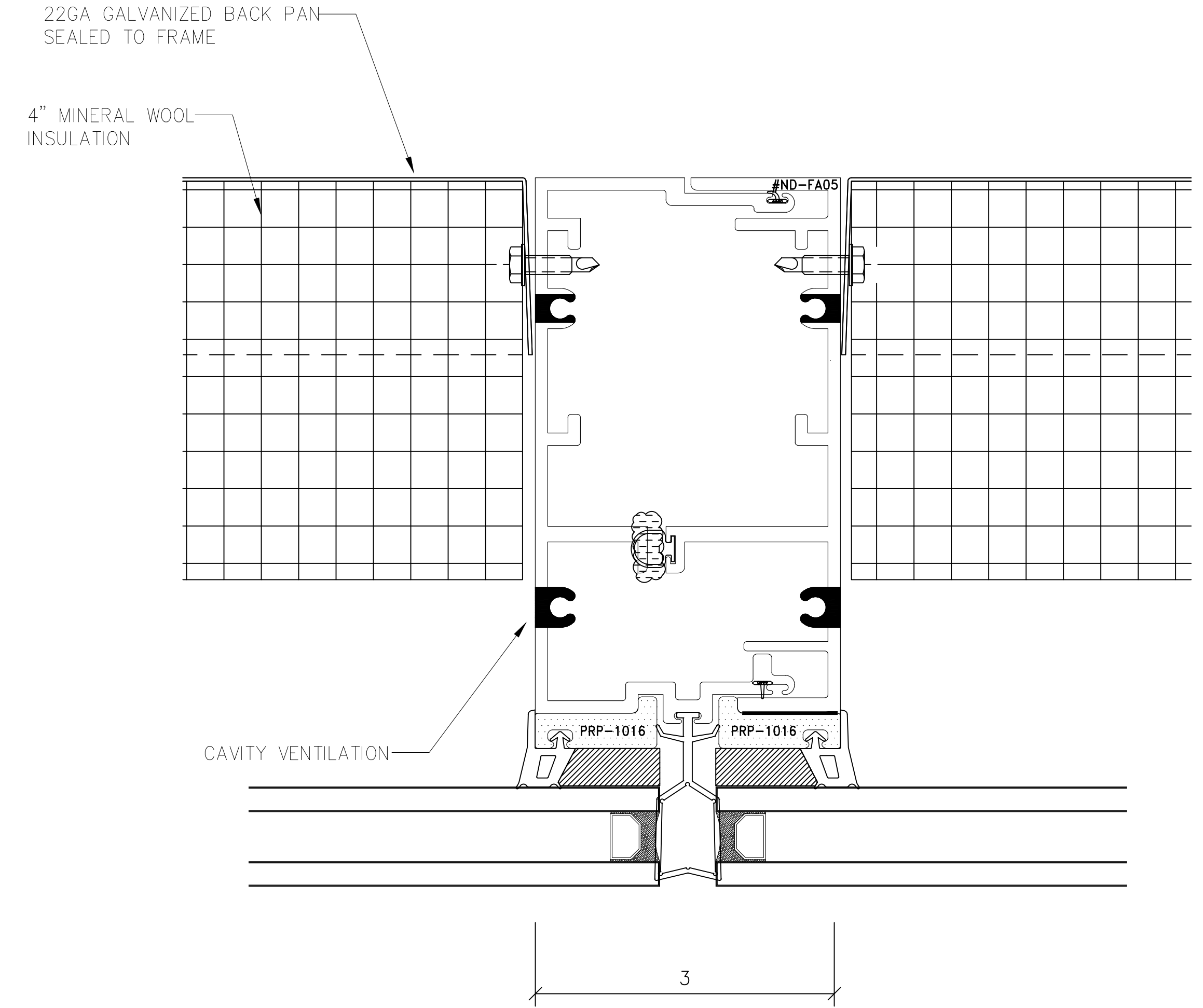
D D02 HORIZONTAL STACK



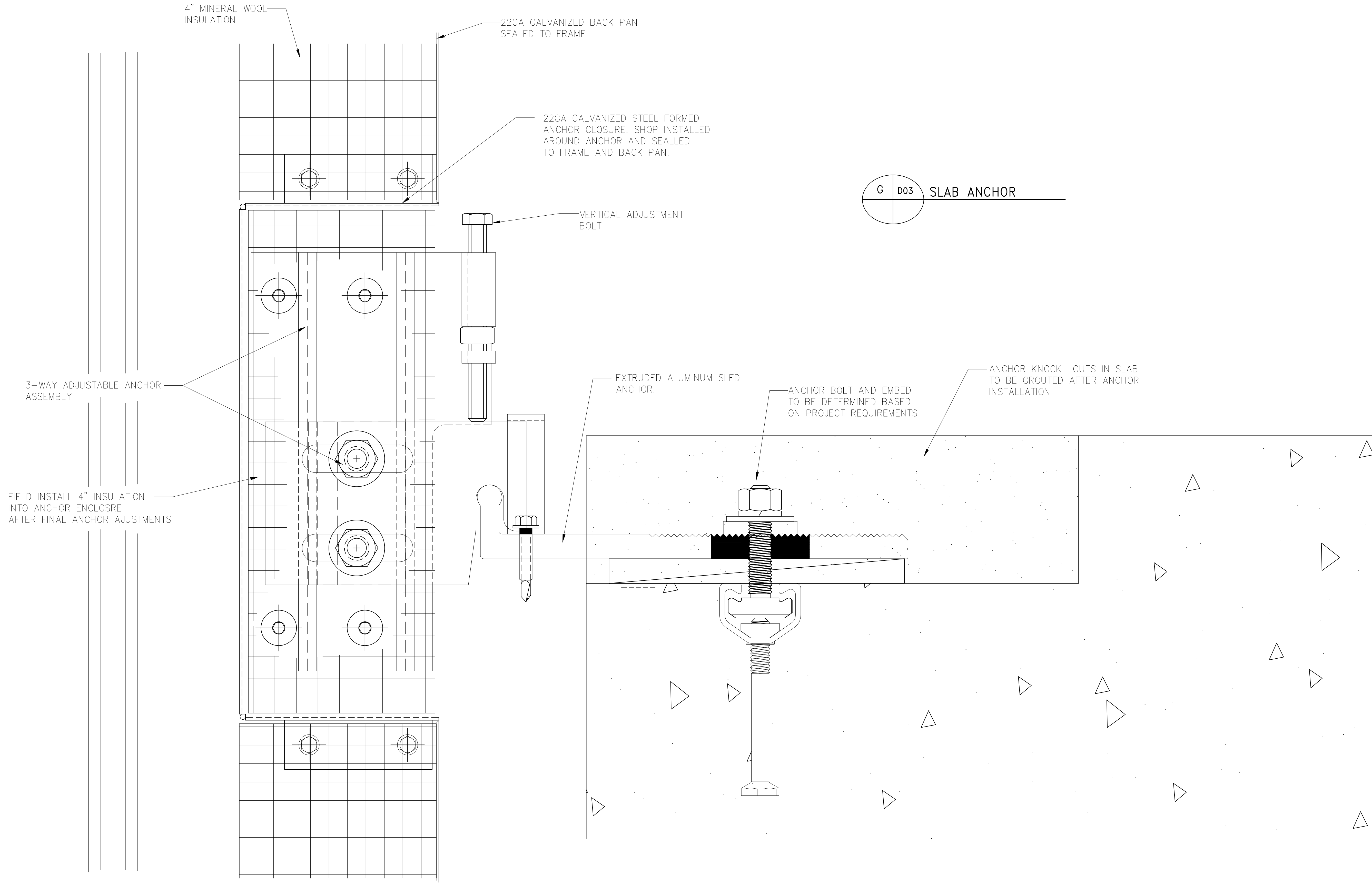
E D02 VERTICAL @ VISION



F D02 VERTICAL @ SHADOW BOX



PROJECT:		UCW3500 SSG CW W/1" IGU	
LOCATION:			
ARCHITECT:			
CONTRACTOR:			
DRAWN BY: TAF		REVISIONS	
DATE: 10/16/23		NO.	BY
		DATE	
GENERAL NOTES: 1) Contractor to verify all dimensions in the field. All framing will be manufactured to the dimensions indicated unless otherwise noted. 2) Architect to review all conditions for compliance to contract documents and, if required, provide correct details and/or dimensions to ensure proper coordination. 3) Drawings marked "approved" or "approval as noted" shall be interpreted as an accurate condition of job requirements and such approval shall authorize release to fabrication. 4) Fremara shall not be responsible for any errors and/or work that occurs from the use of these drawings by other trades.			
JOB NUMBER			
SHEET TITLE		DETAIL SHEET	
DRAWING SCALE		11x17 = 6" = 1'-0"	
		22x34 = 12" = 1'-0"	
DRAWING NO.		D02	



4" MINERAL WOOL INSULATION

22GA GALVANIZED BACK PAN SEALED TO FRAME

22GA GALVANIZED STEEL FORMED ANCHOR CLOSURE. SHOP INSTALLED AROUND ANCHOR AND SEALED TO FRAME AND BACK PAN.

VERTICAL ADJUSTMENT BOLT

G D03 SLAB ANCHOR

3-WAY ADJUSTABLE ANCHOR ASSEMBLY

FIELD INSTALL 4" INSULATION INTO ANCHOR ENCLOSURE AFTER FINAL ANCHOR ADJUSTMENTS

EXTRUDED ALUMINUM SLED ANCHOR.

ANCHOR BOLT AND EMBED TO BE DETERMINED BASED ON PROJECT REQUIREMENTS

ANCHOR KNOCK OUTS IN SLAB TO BE GROUTED AFTER ANCHOR INSTALLATION

PROJECT:		UCW3500 SSG CW W/1" IGU	
LOCATION:			
ARCHITECT:			
CONTRACTOR:			
DRAWN BY:		TAF	
DATE:		10/16/23	
NO.			
DATE			
BY			
REVISIONS			
<p>GENERAL NOTES:</p> <p>1) Contractor to verify all dimensions in the field. All framing will be manufactured to the dimensions indicated unless otherwise noted.</p> <p>2) Architect to review all conditions for compliance to contract documents and, if required, provide correct details and/or dimensions to ensure proper coordination.</p> <p>3) Drawings marked "approved" or "approved as noted" shall be interpreted as an accurate condition of job requirements and such approval shall authorize release to fabrication.</p> <p>4) Fremaraq shall not be responsible for any errors and/or work that occurs from the use of these drawings by other trades.</p>			

Fremaraq
INNOVATIONS

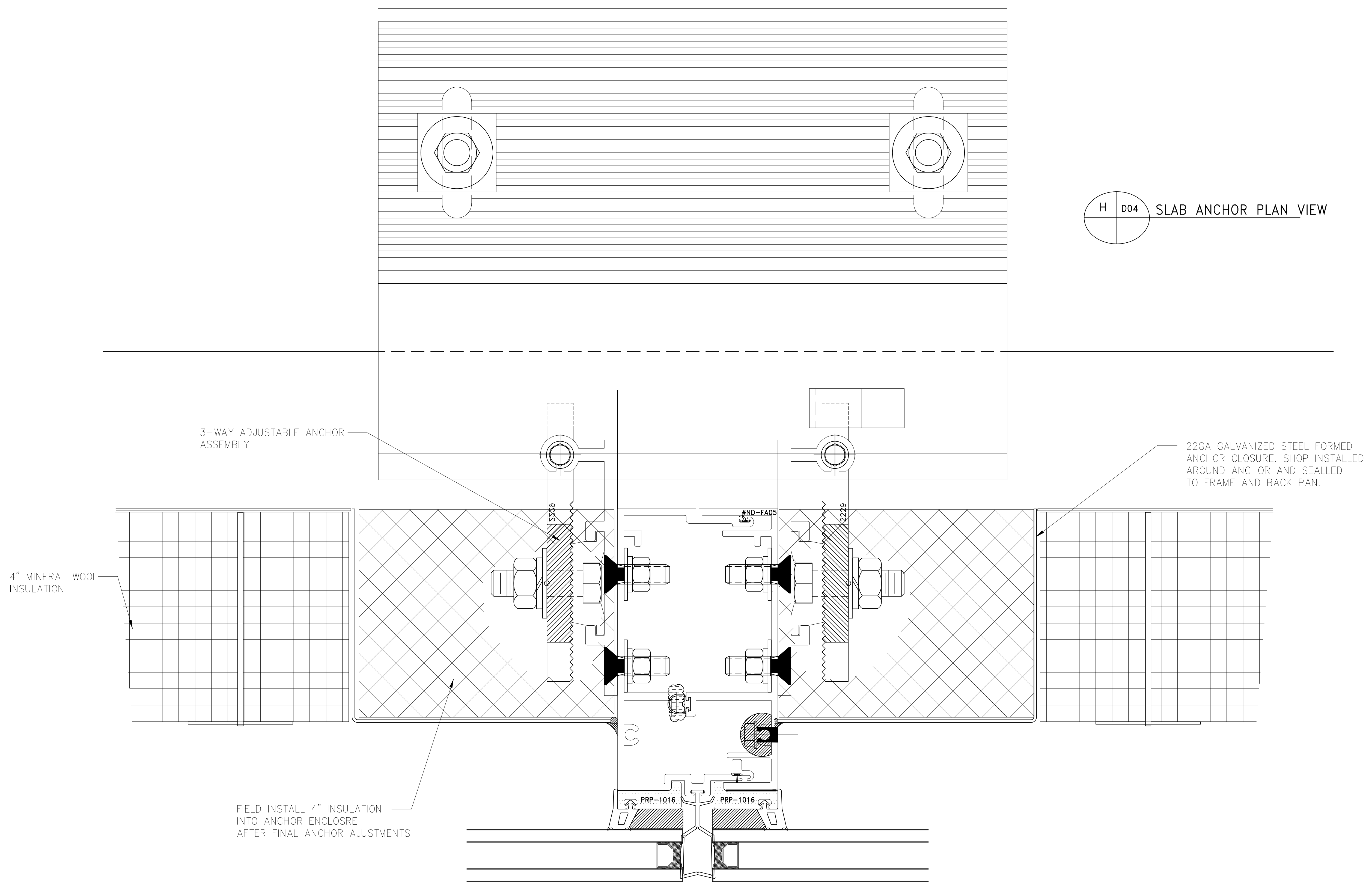
1101 NORTH MILL STREET
MERRILL, WISCONSIN 54452
WWW.FREMARQINNOVATIONS.COM

JOB NUMBER

SHEET TITLE
DETAIL SHEET

DRAWING SCALE
11x17 = 6" = 1'-0"
22x34 = 12" = 1'-0"

DRAWING NO.
D03



H D04 SLAB ANCHOR PLAN VIEW

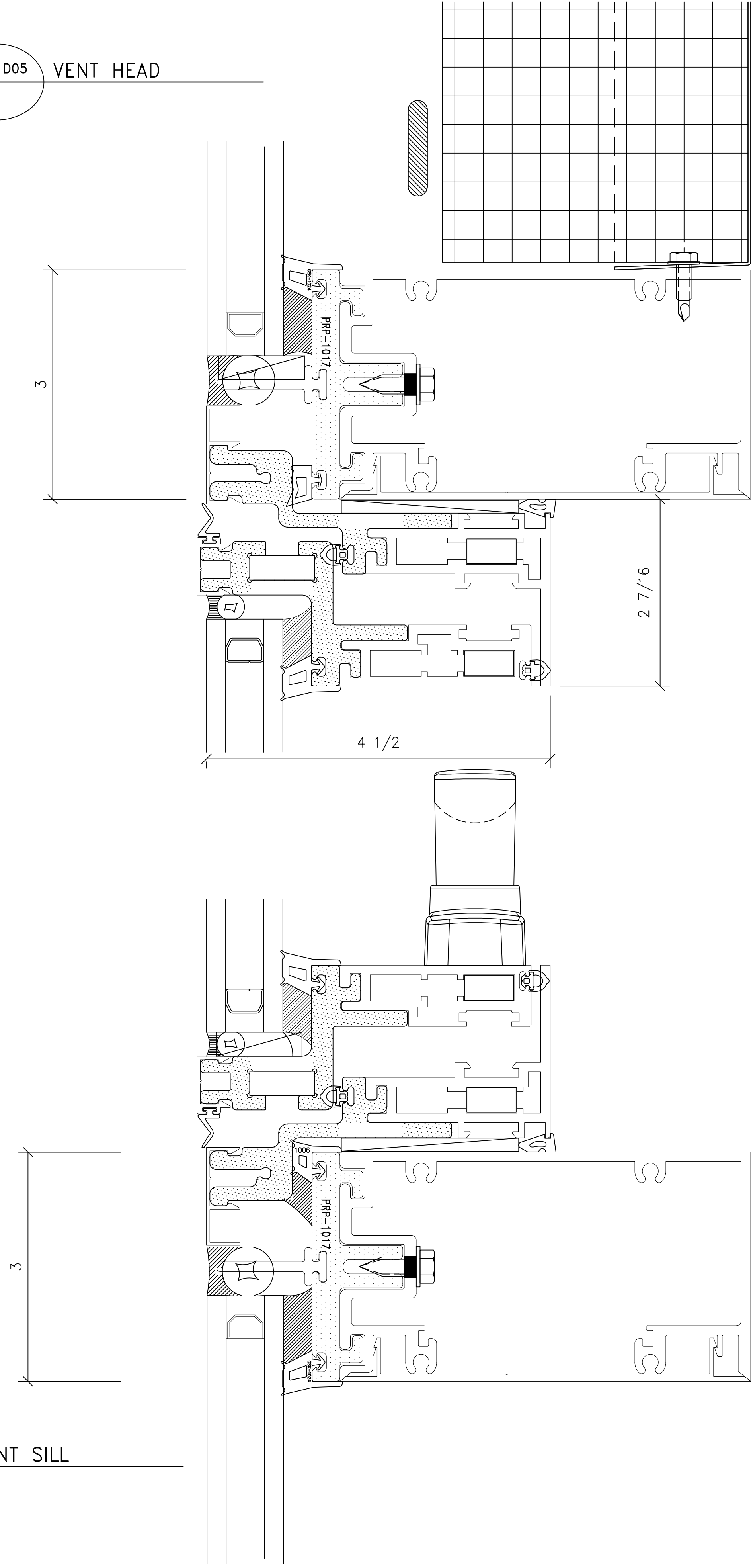
PROJECT: UCW3500 SSG CW W/1" IGU	DRAWN BY: TAF	<input type="checkbox"/>	<input type="checkbox"/>
	DATE: 10/16/23	NO.	REVISIONS
LOCATION:	GENERAL NOTES:		
ARCHITECT:	1) Contractor to verify all dimensions in the field. All framing will be manufactured to the dimensions indicated unless otherwise noted.		
CONTRACTOR:	2) Architect to review all conditions for compliance to contract documents and, if required, provide correct details and/or dimensions to ensure proper coordination.		
	3) Drawings marked "approved" or "approved as noted" shall be interpreted as an accurate condition of job requirements and such approval shall authorize release to fabrication.		
	4) PreMarq shall not be responsible for any errors and/or work that occurs from the use of these drawings by other trades.		
JOB NUMBER	DRAWING NO. D04		
SHEET TITLE DETAIL SHEET	DRAWING SCALE 11x17 = 6" = 1'-0" 22x34 = 12" = 1'-0"		

Fremara
INNOVATIONS

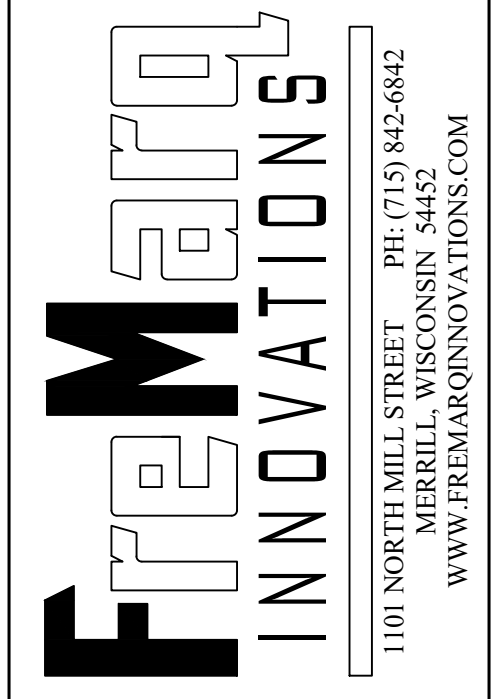
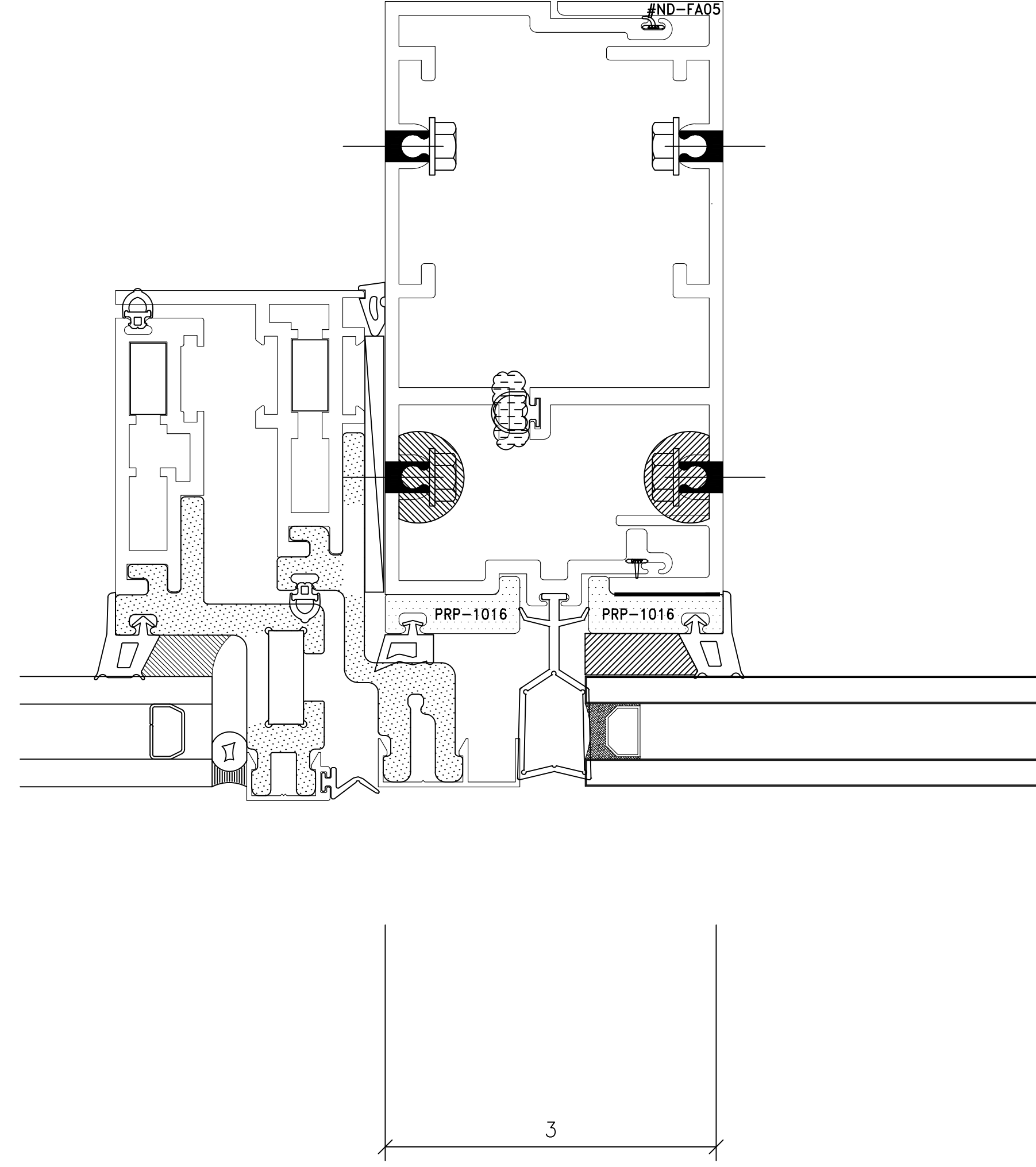
1101 NORTH MILL STREET
MERRILL, WISCONSIN 54452
WWW.FREMARAINNOVATIONS.COM

K D05 VENT SILL

J D05 VENT HEAD



L D05 VENT JAMB



JOB NUMBER
 SHEET TITLE
DETAIL SHEET
 DRAWING SCALE
 11x17 = 6" = 1'-0"
 22x34 = 12" = 1'-0"
 DRAWING NO.
D05

PROJECT:
UCW3500 SSG CW W/1" IGU
 LOCATION:
 ARCHITECT:
 CONTRACTOR:

DRAWN BY: TAF	NO.	DATE	BY
DATE: 10/16/23			
GENERAL NOTES: 1) Contractor to verify all dimensions in the field. All framing will be manufactured to the dimensions indicated unless otherwise noted. 2) Architect to review all conditions for compliance to contract documents and, if required, provide correct details and/or dimensions to ensure proper coordination. 3) Drawings marked 'approved' or 'approved as noted' shall be interpreted as an accurate condition of job requirements and such approval shall authorize release to fabrication. 4) Fremara shall not be responsible for any errors and/or work that occurs from the use of these drawings by other trades.			