

1101 NORTH MILL STREET PH: (715) 842-6842
 MERRILL, WISCONSIN 54452
 WWW.FREMARQINNOVATIONS.COM

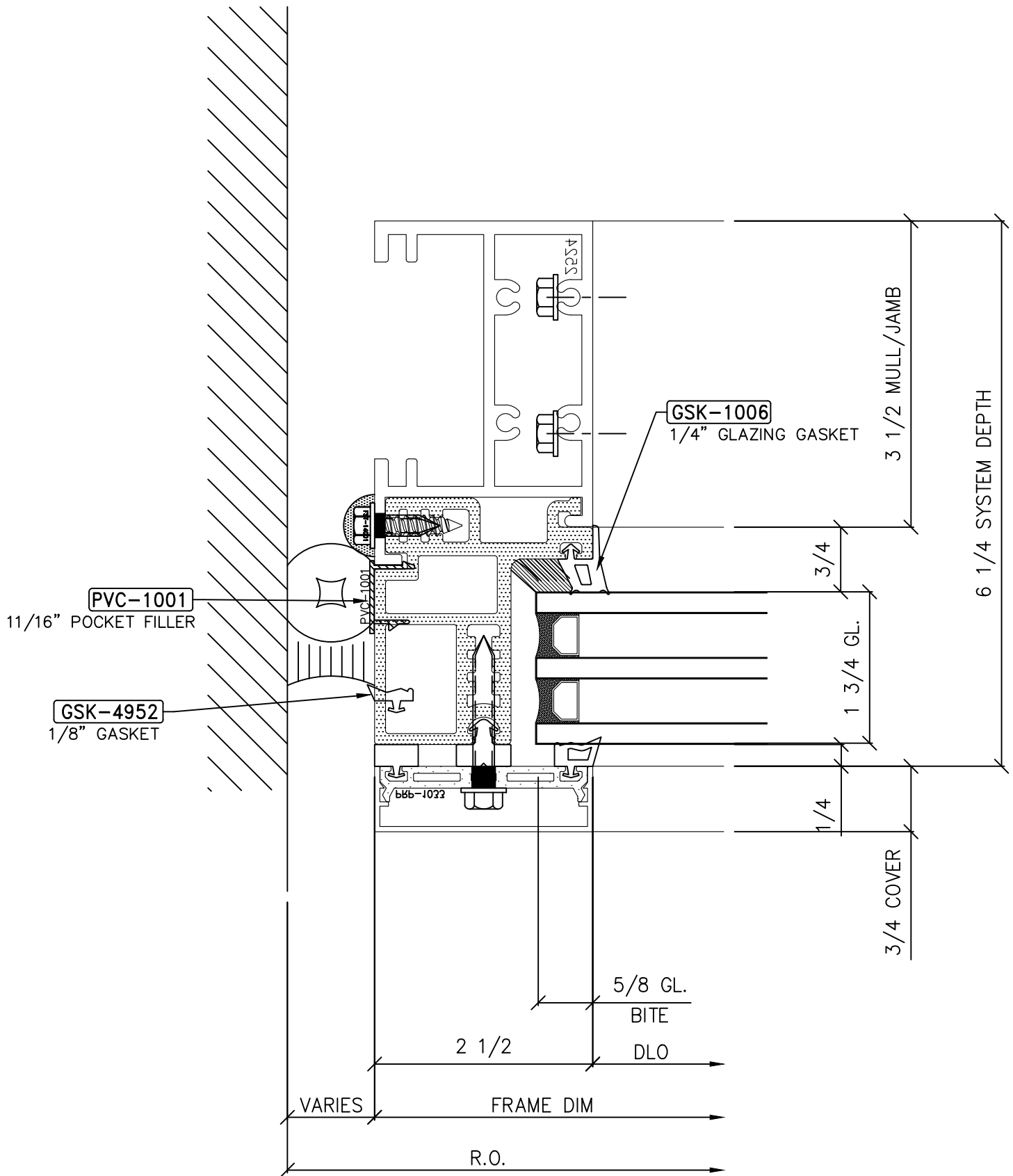
HEAD & SILL

DRAWING SCALE

1:2

SERIES NO.
 FW2500

SYSTEM NO.
 2506Z



1101 NORTH MILL STREET PH: (715) 842-6842
 MERRILL, WISCONSIN 54452
 WWW.FREMARQINNOVATIONS.COM

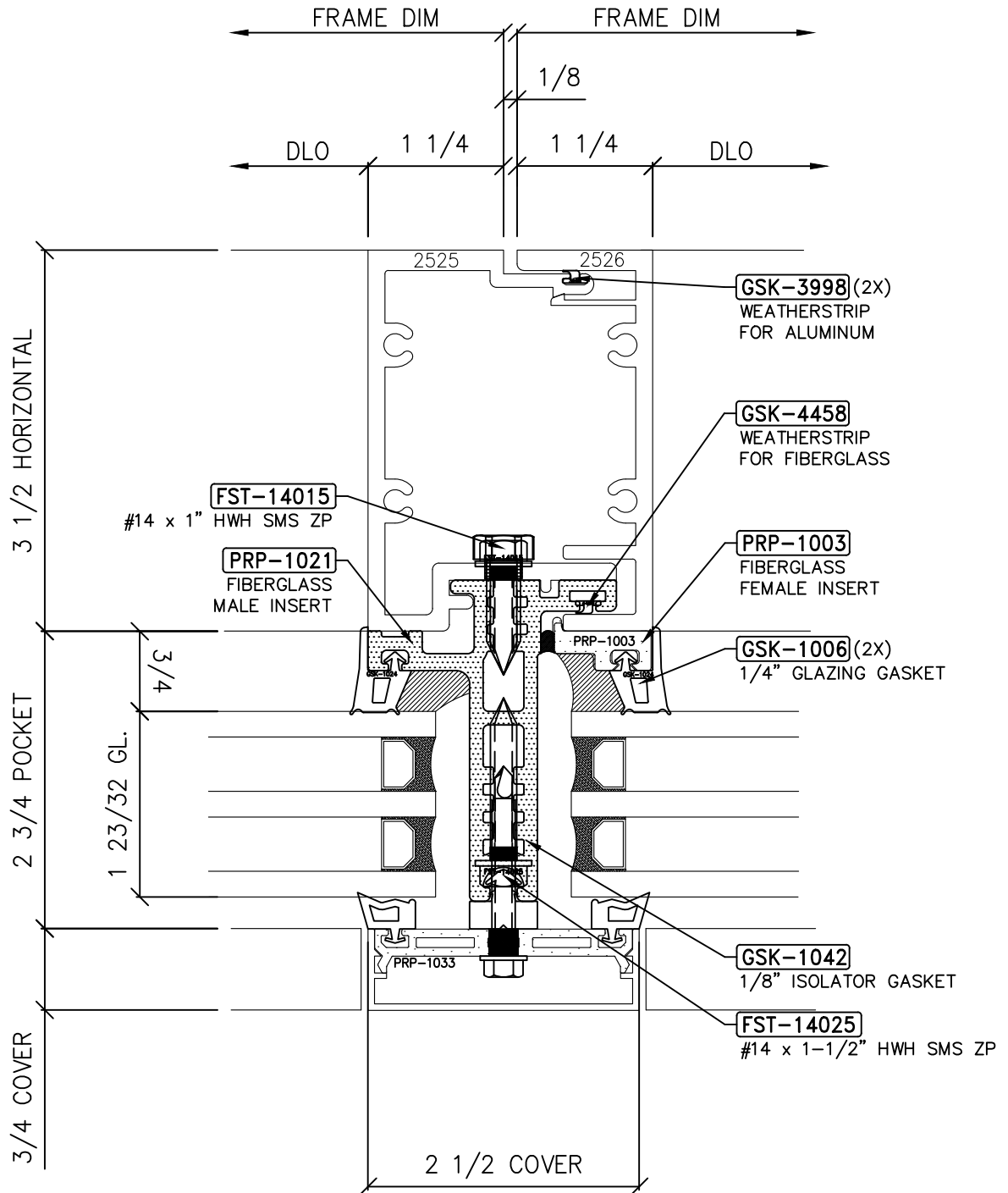
JAMB

DRAWING SCALE

Custom

SERIES NO.
 FW2500

SYSTEM NO.
 2506Z

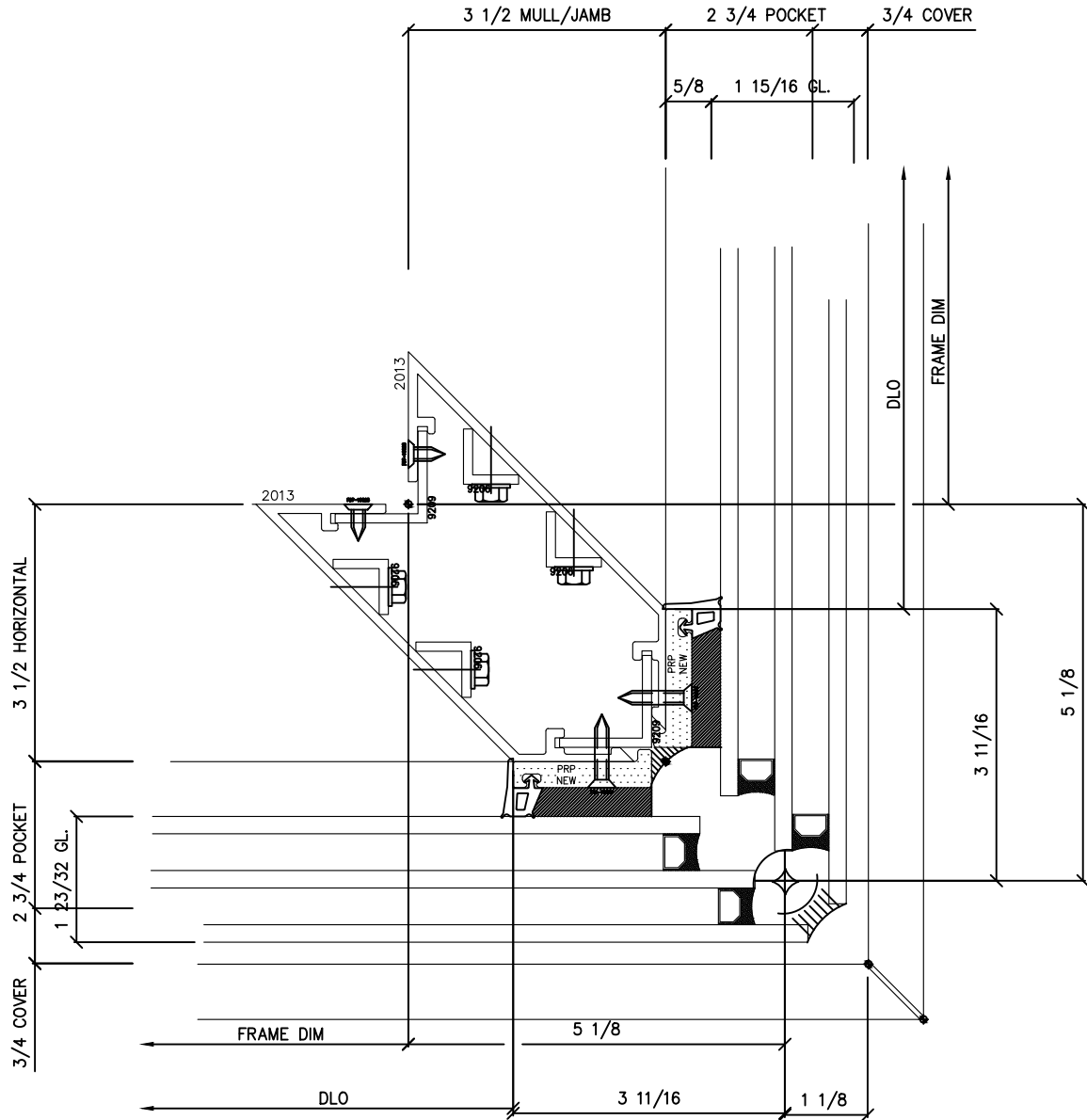


1101 NORTH MILL STREET PH: (715) 842-6842
MERRILL, WISCONSIN 54452
WWW.FREMARQINNOVATIONS.COM

VERTICAL STACK

DRAWING SCALE
Custom

| SERIES NO. | SYSTEM NO. |
|------------|------------|
| FW2500 | 2506Z |



1101 NORTH MILL STREET PH: (715) 842-6842
 MERRILL, WISCONSIN 54452
 WWW.FREMARQINNOVATIONS.COM

CORNER

DRAWING SCALE
 Custom

SERIES NO.
 FW2500

SYSTEM NO.
 2506Z