

1101 NORTH MILL STREET PH: (715) 842-6842
 MERRILL, WISCONSIN 54452
 WWW.FREMARQINNOVATIONS.COM

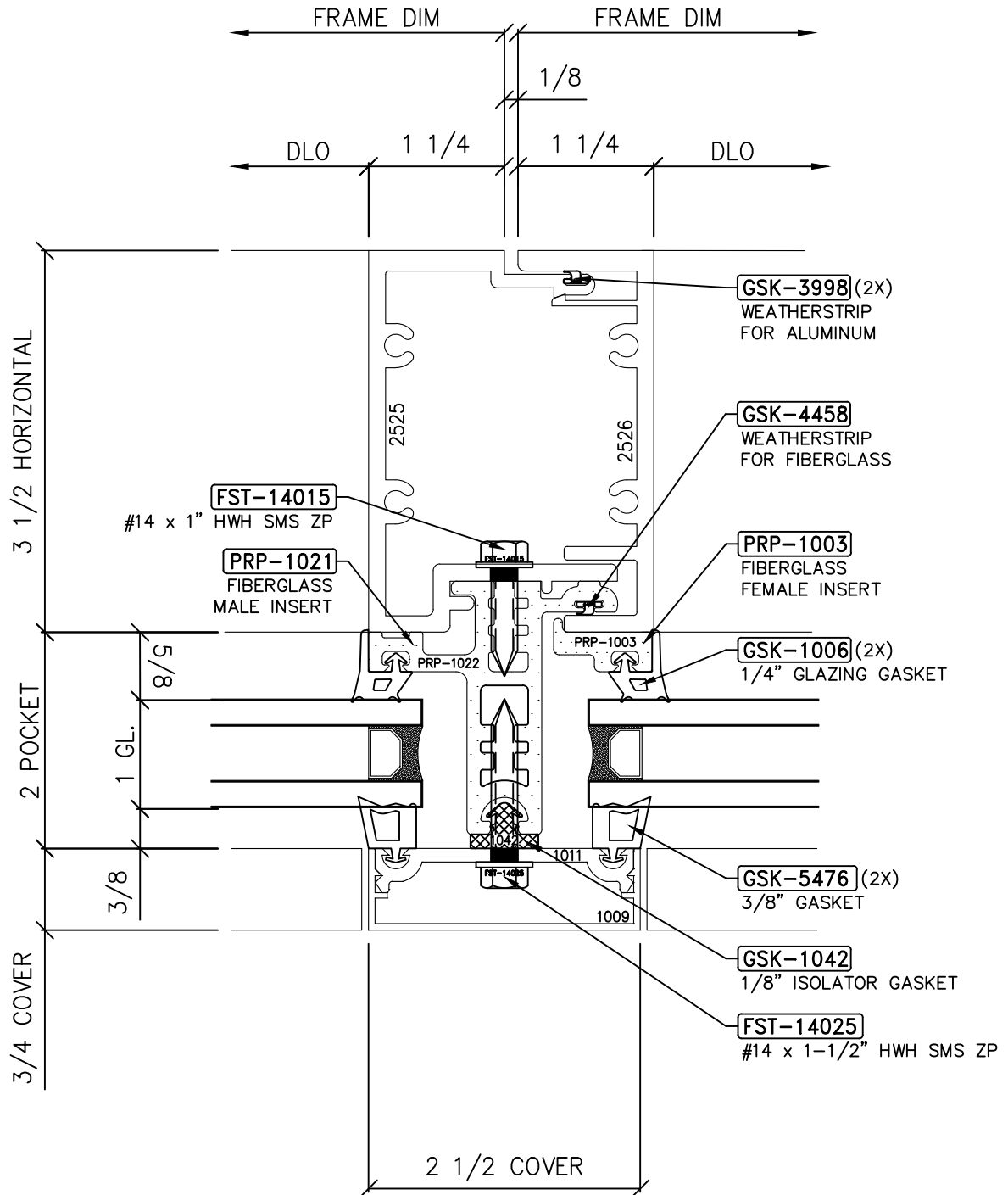
HEAD & SILL

DRAWING SCALE

1:2

SERIES NO.
FW2500

SYSTEM NO.
2506Z

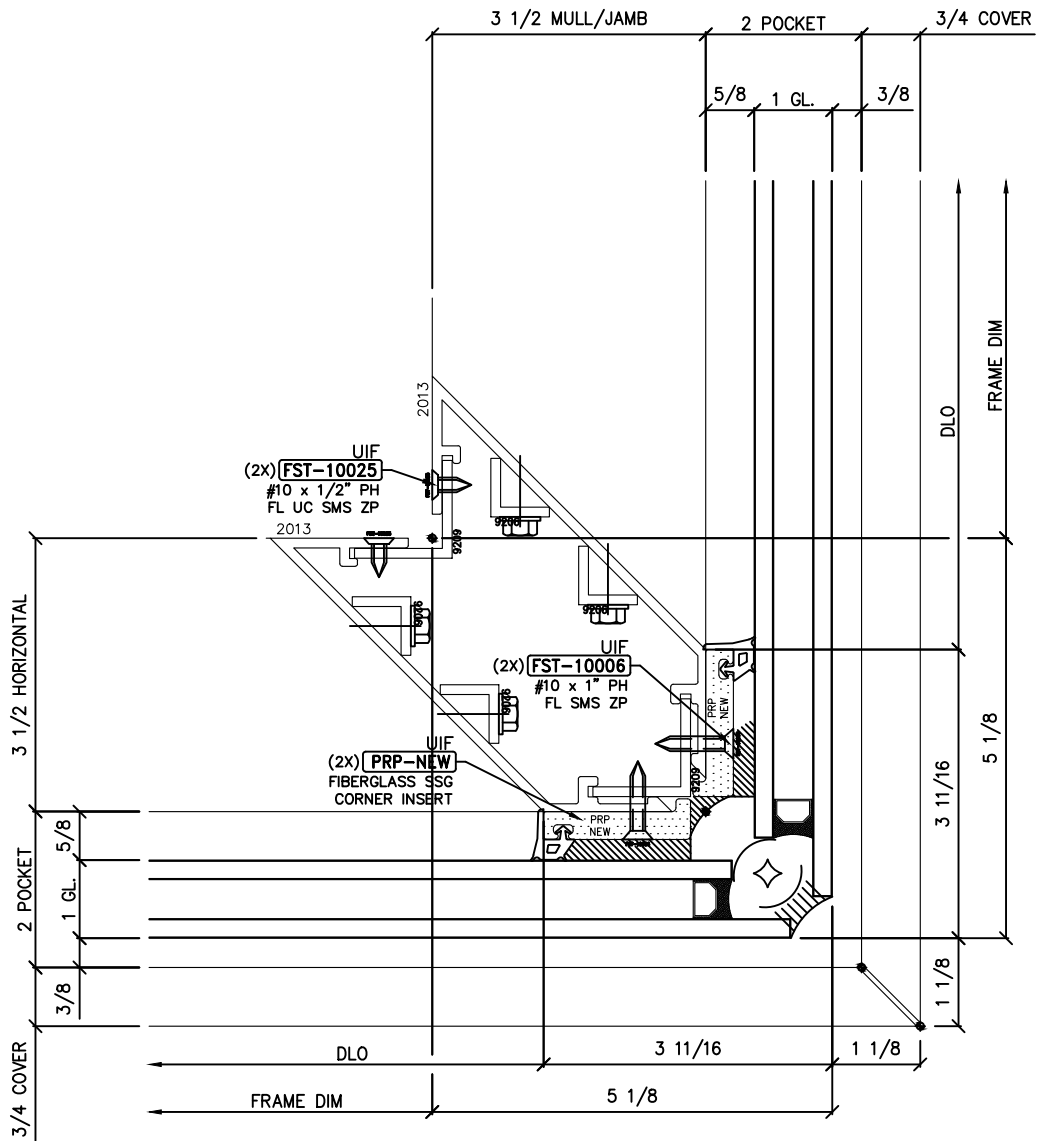


1101 NORTH MILL STREET PH: (715) 842-6842
MERRILL, WISCONSIN 54452
WWW.FREMARQINNOVATIONS.COM

VERTICAL STACK

DRAWING SCALE
Custom

SERIES NO.	SYSTEM NO.
FW2500	2506Z



CORNER

DRAWING SCALE

Custom

SERIES NO.

FW2500

SYSTEM NO.

2506Z

1101 NORTH MILL STREET PH: (715) 842-6842
 MERRILL, WISCONSIN 54452
 WWW.FREMARQINNOVATIONS.COM