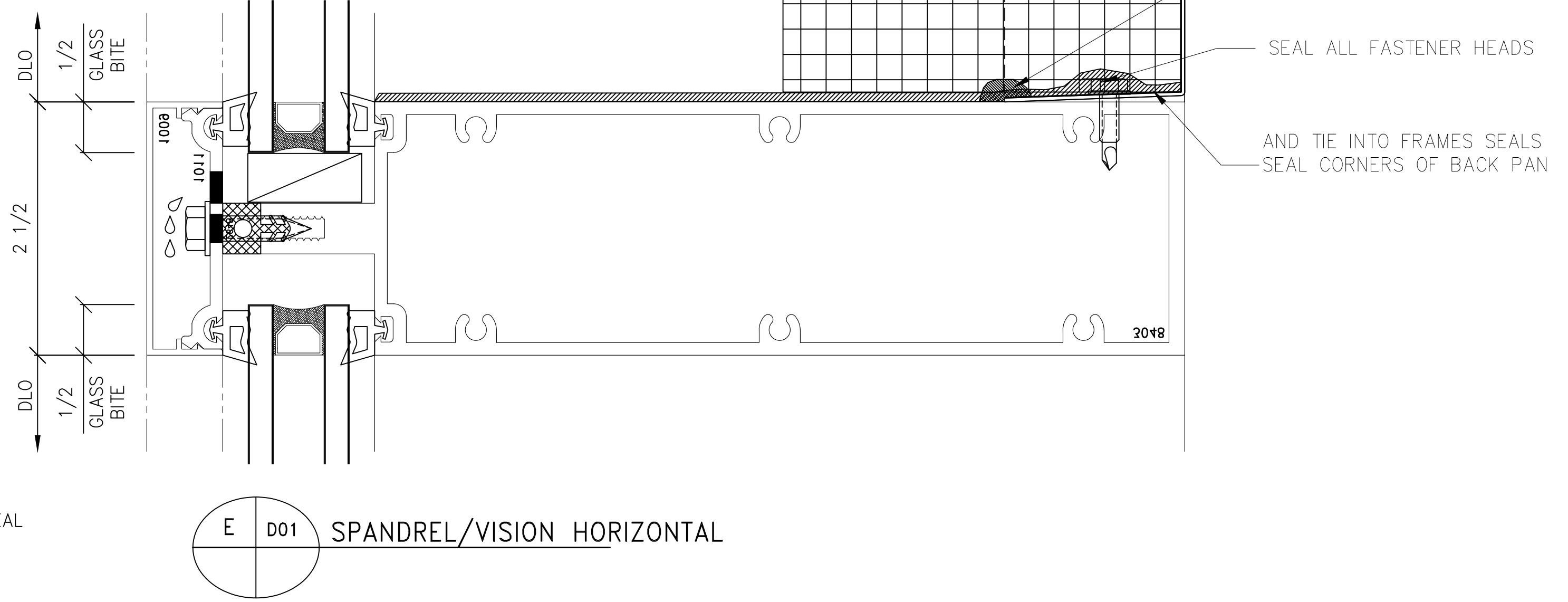
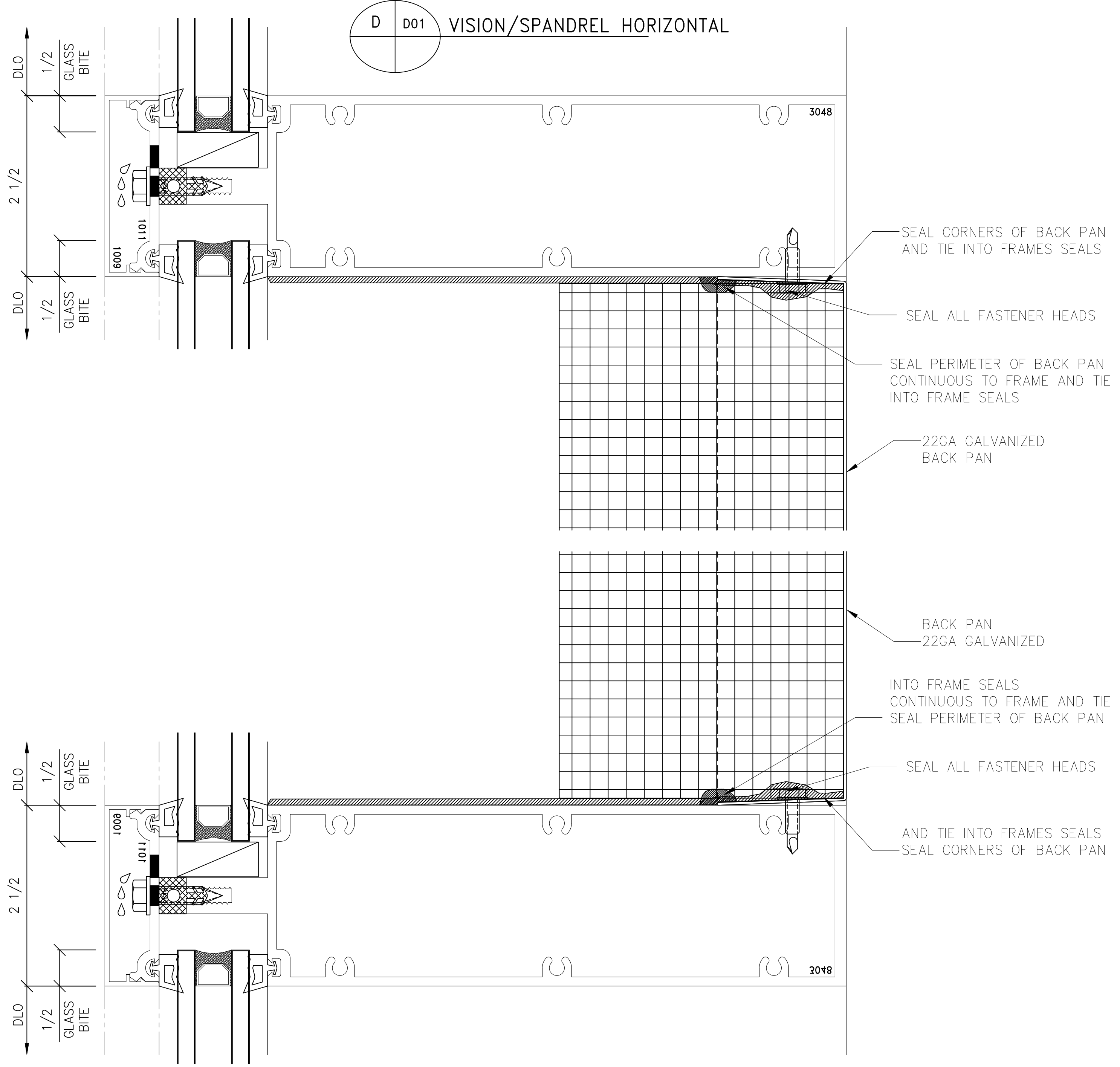
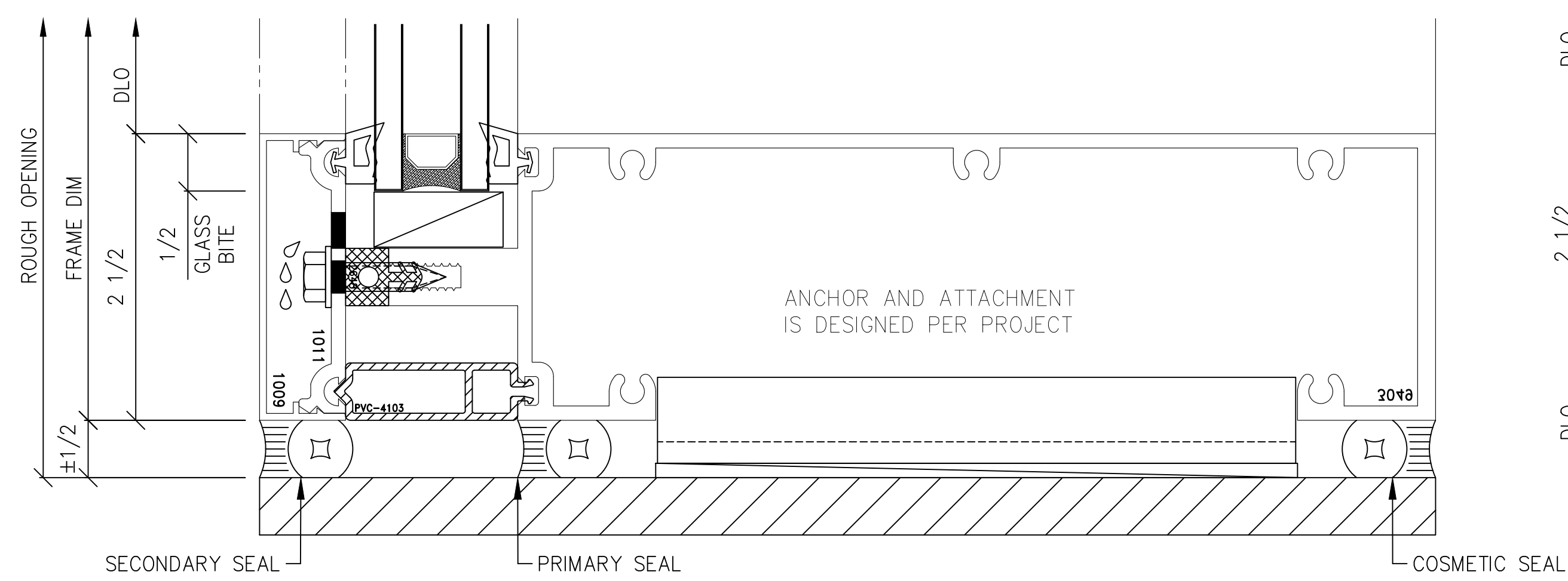
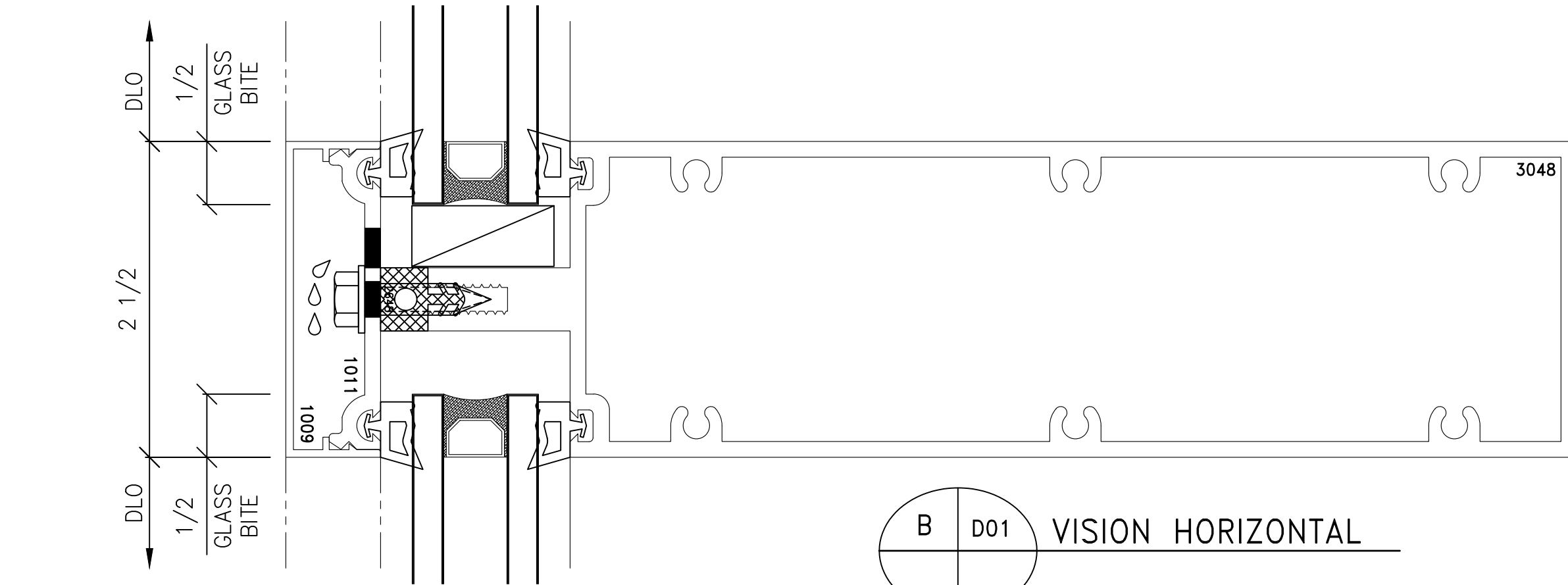
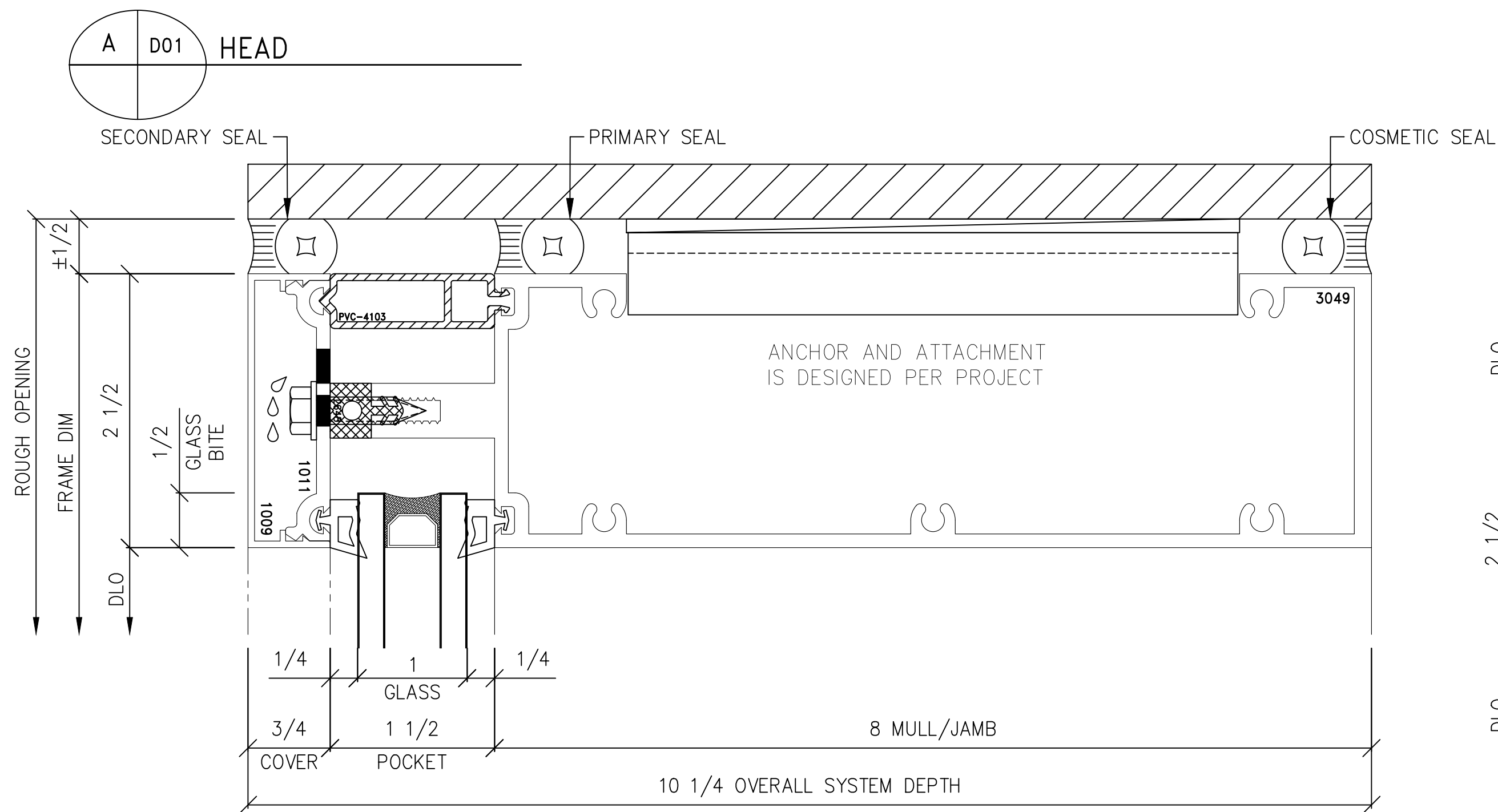


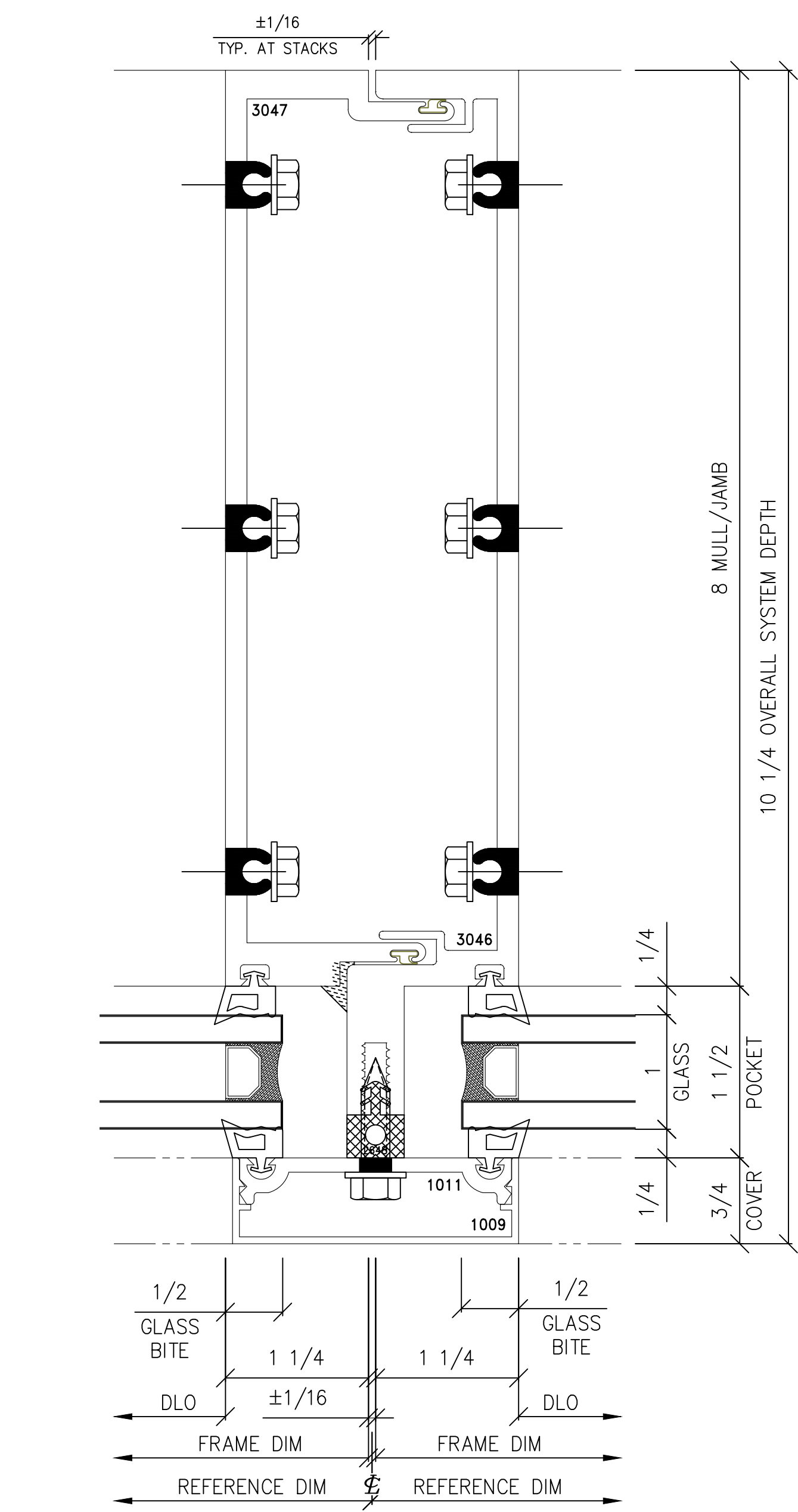
PROJECT: FM2510 WITH 1" IGU
 LOCATION:
 ARCHITECT:
 CONTRACTOR:
 JOB NUMBER
 SHEET TITLE
ELEVATION SHEET
 DRAWING SCALE
 11x17 = 6" = 1'-0"
 22x34 = 12" = 1'-0"
 DRAWING NO.
E01

PROJECT:	FM2510 WITH 1" IGU
LOCATION:	
ARCHITECT:	
CONTRACTOR:	
DRAWN BY:	TAS
DATE:	10/16/23
NO.	
DATE	BY
REVISIONS	

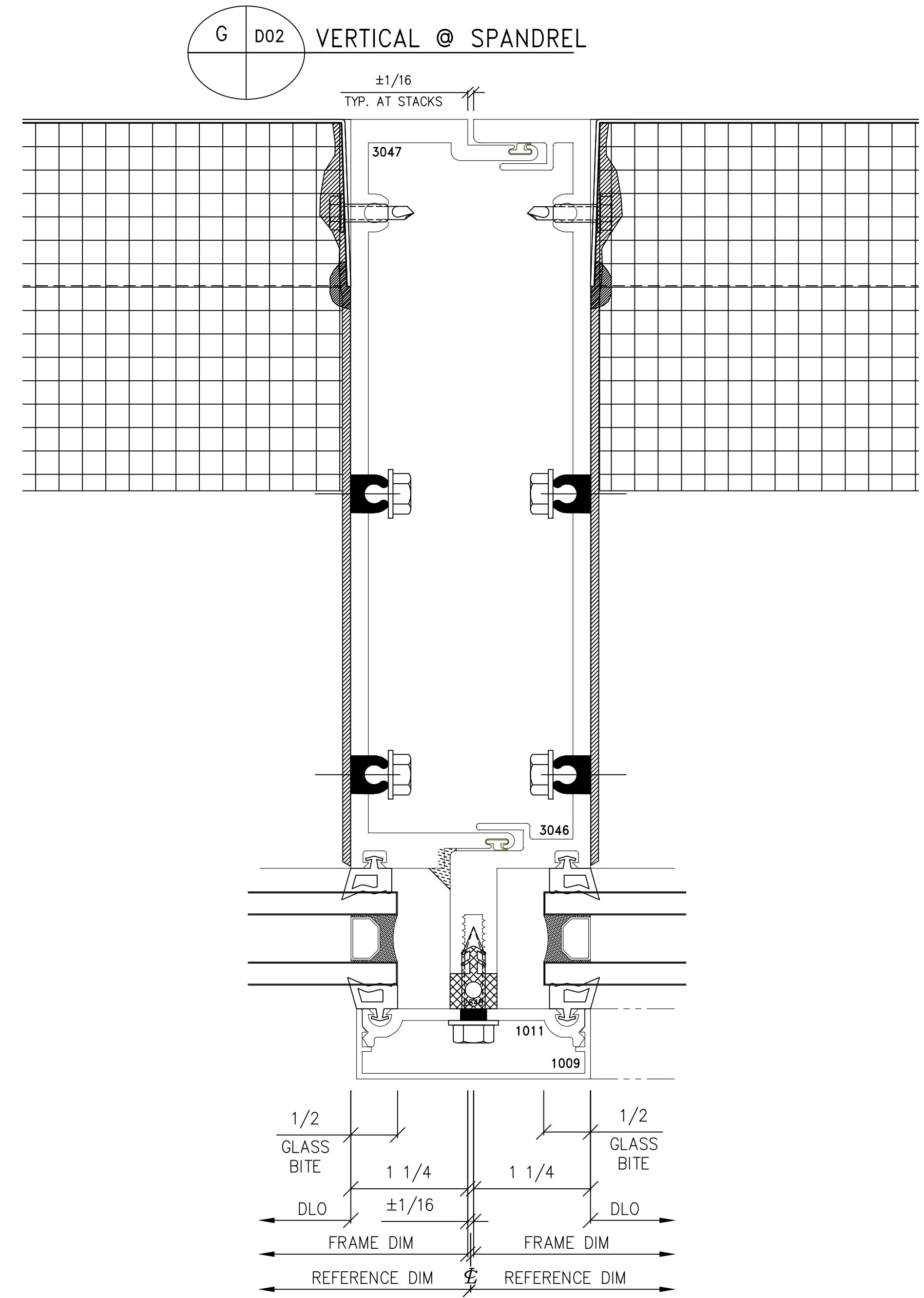
GENERAL NOTES:
 1) Contractor to verify all dimensions in the field. All framing will be manufactured to the dimensions indicated unless otherwise noted.
 2) Architect to review all conditions for compliance to contract documents and, if required, provide correct details and/or dimensions to ensure proper coordination.
 3) Drawings marked 'approved' or 'approval as noted' shall be interpreted as an accurate condition of job requirements and such approval shall authorize release to fabrication.
 4) Fremara shall not be responsible for any errors and/or work that occurs from the use of these drawings by other trades.



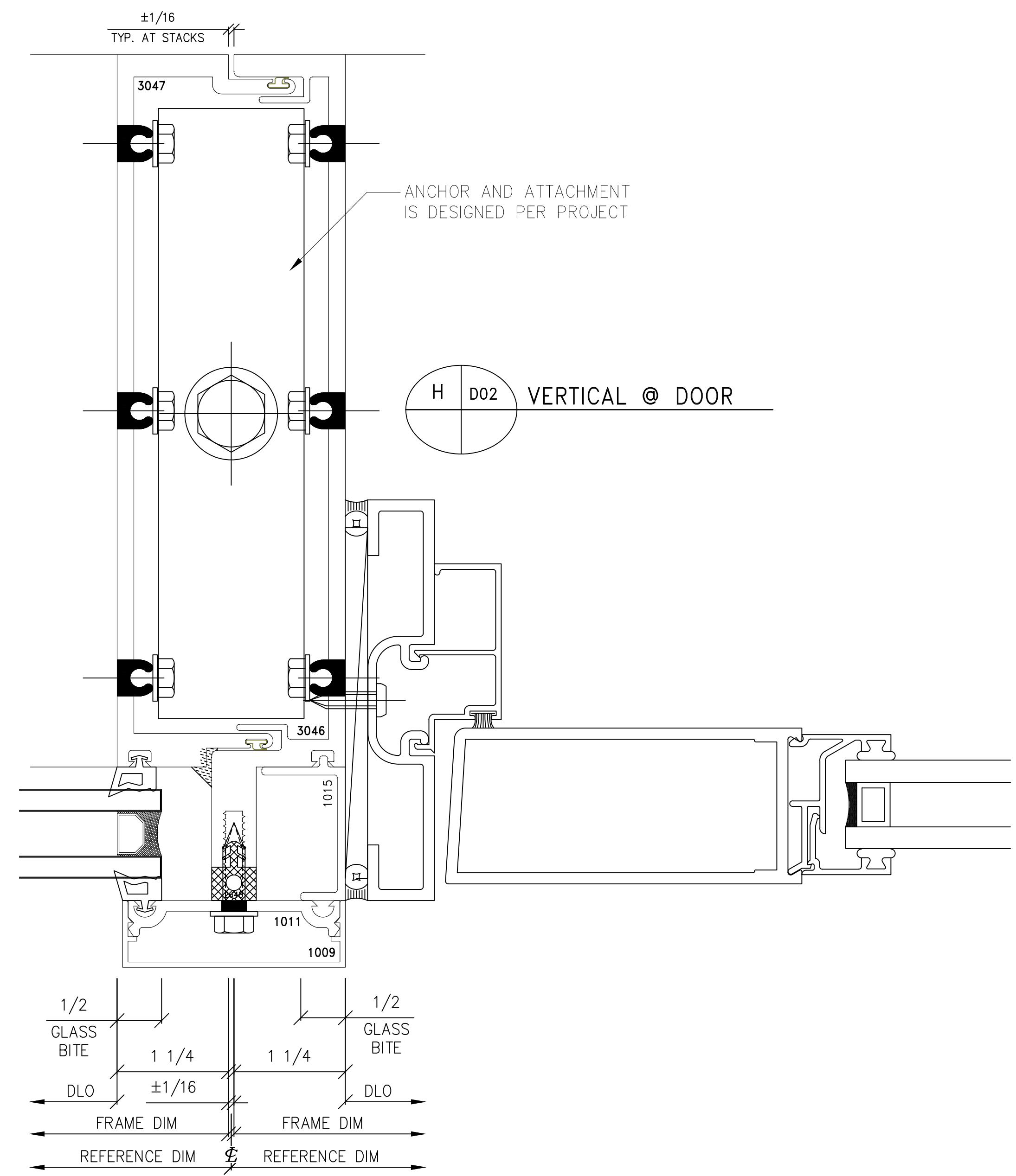
PROJECT: FM2510 WITH 1" IGU		DRAWN BY: TAF		REVISIONS	
LOCATION:		DATE: 10/16/23		NO. BY	
ARCHITECT:		DATE:		NO. BY	
CONTRACTOR:		DATE:		NO. BY	
<p>GENERAL NOTES:</p> <p>1) Contractor to verify all dimensions in the field. All framing will be manufactured to the dimensions indicated unless otherwise noted.</p> <p>2) Architect to review all conditions for compliance to contract documents and, if required, provide correct details and/or dimensions to ensure proper coordination.</p> <p>3) Drawings marked 'approved' or 'approved as noted' shall be interpreted as an accurate condition of job requirements and such approval shall authorize release to fabrication.</p> <p>4) Fremara shall not be responsible for any errors and/or work that occurs from the use of these drawings by other trades.</p>					
<p>Fremara INNOVATIONS</p> <p>1101 NORTH MILL STREET MERRILL, WISCONSIN 54452 WWW.FREMARA.INNOVATIONS.COM</p>					
JOB NUMBER					
SHEET TITLE DETAIL SHEET					
DRAWING SCALE 11x17 = 6" = 1'-0" 22x34 = 12" = 1'-0"					
DRAWING NO. D01					



F D02 VERTICAL STACK



G D02 VERTICAL @ SPANDREL

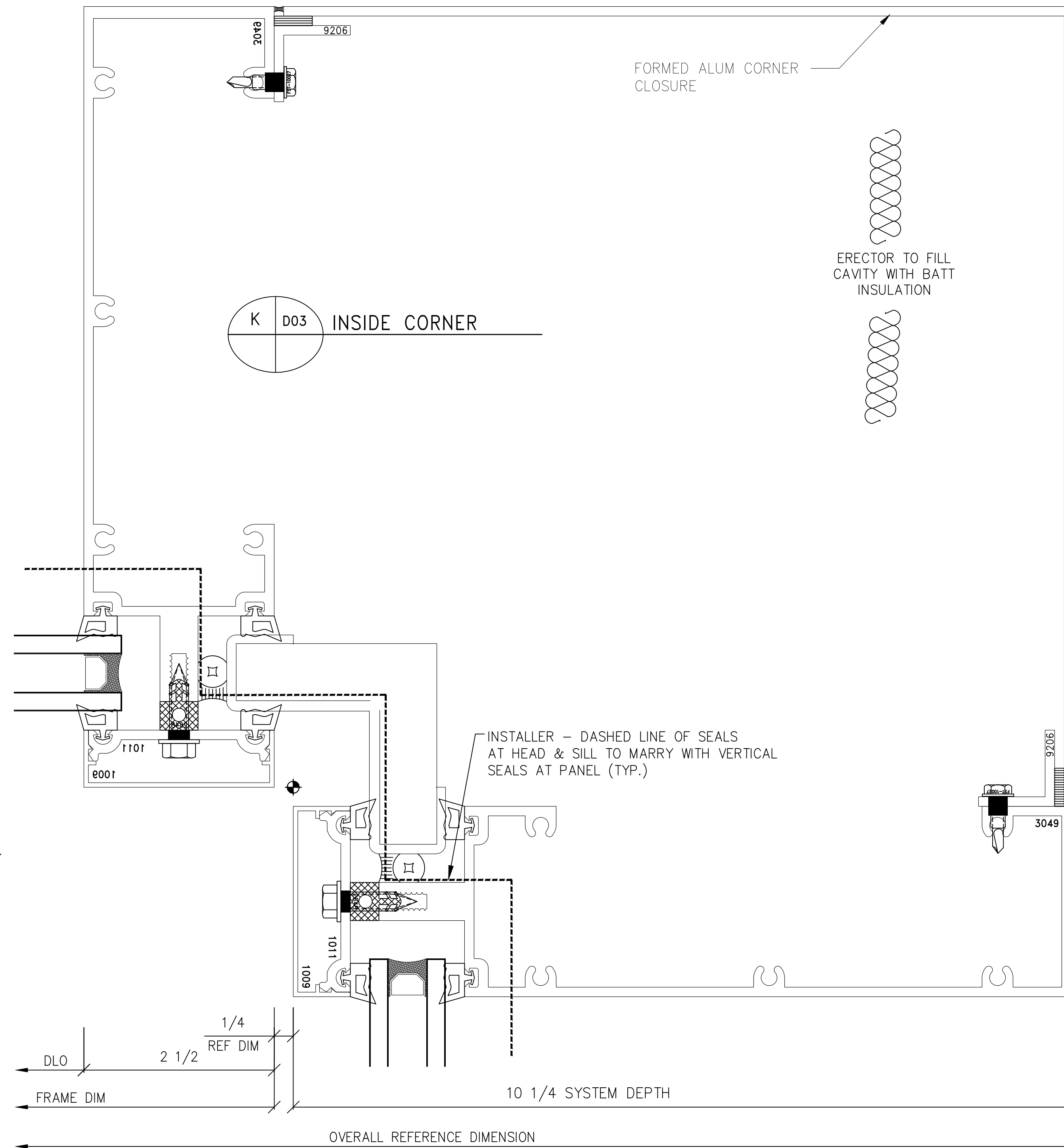
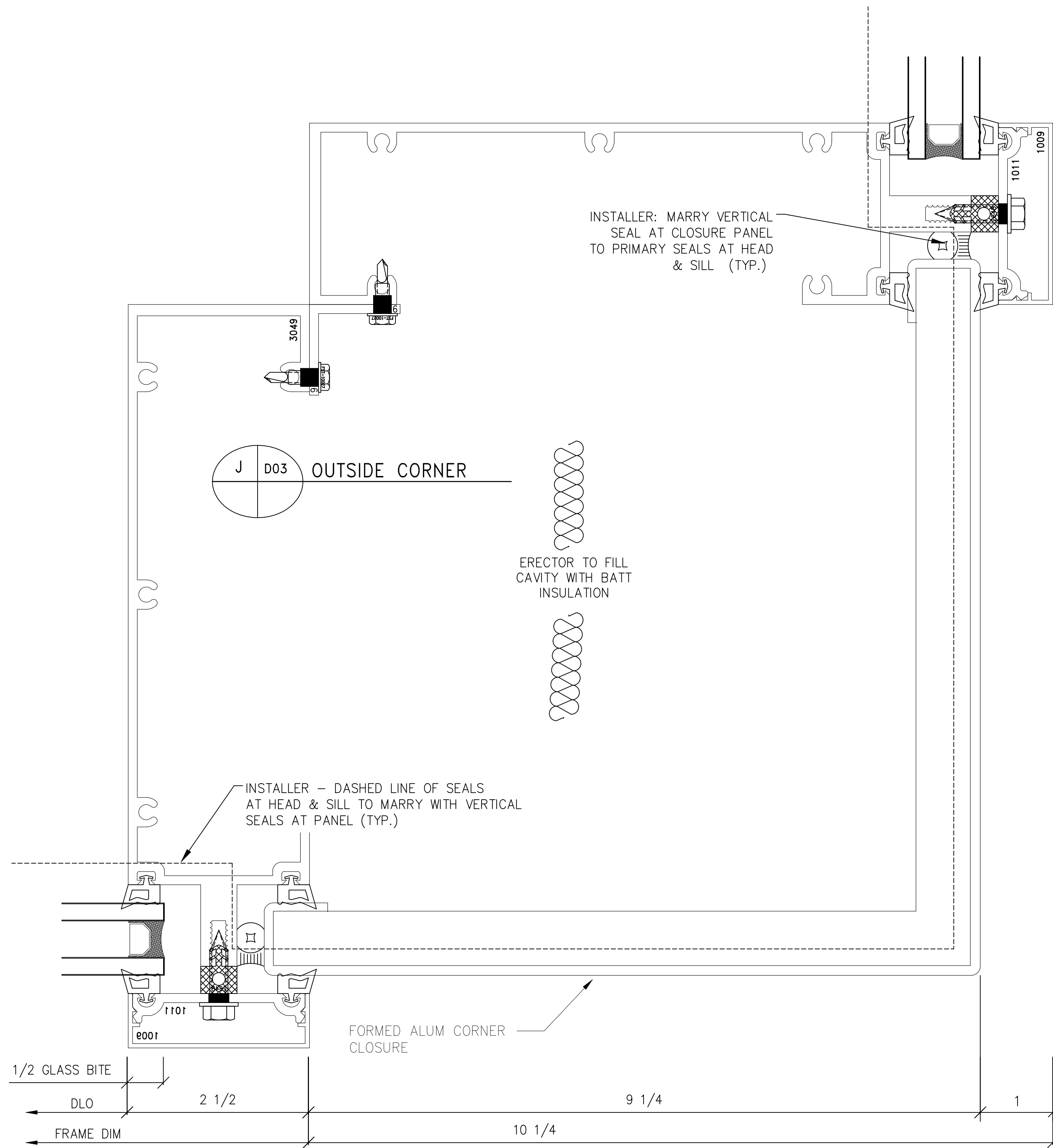


H D02 VERTICAL @ DOOR

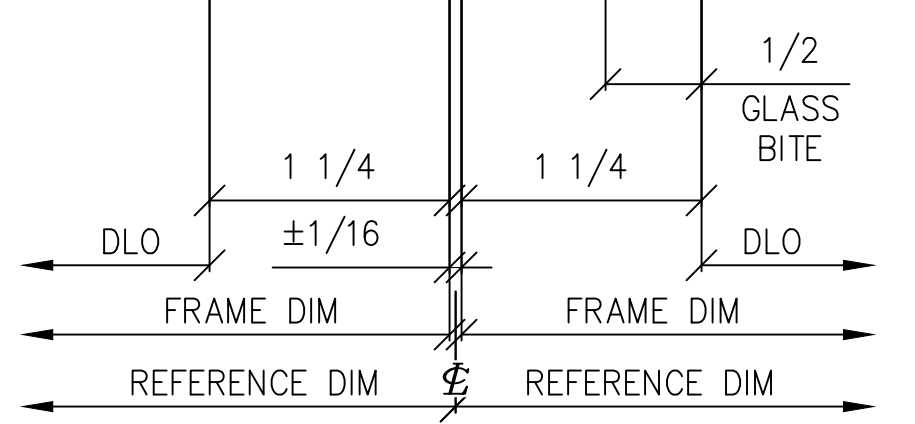
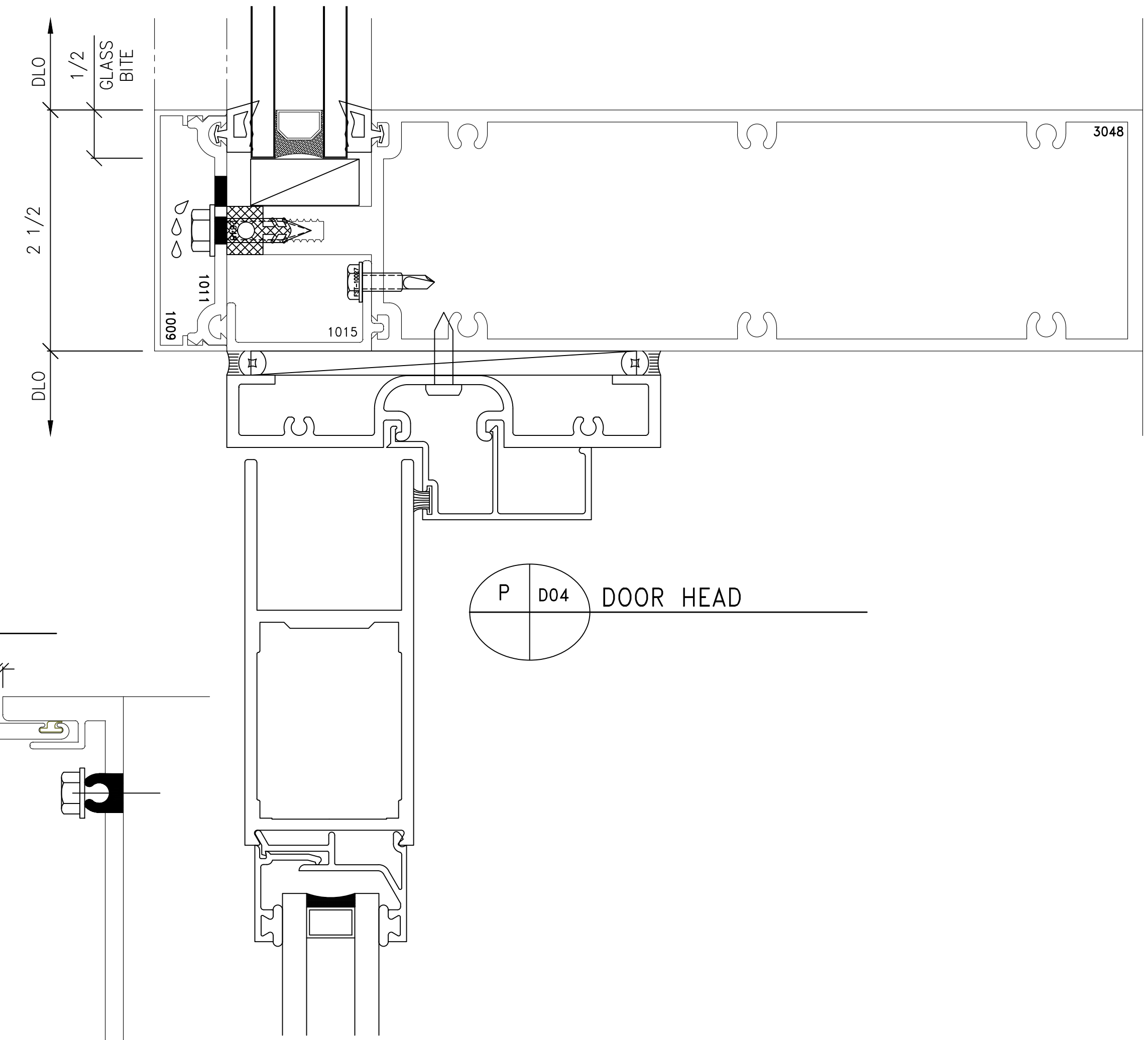
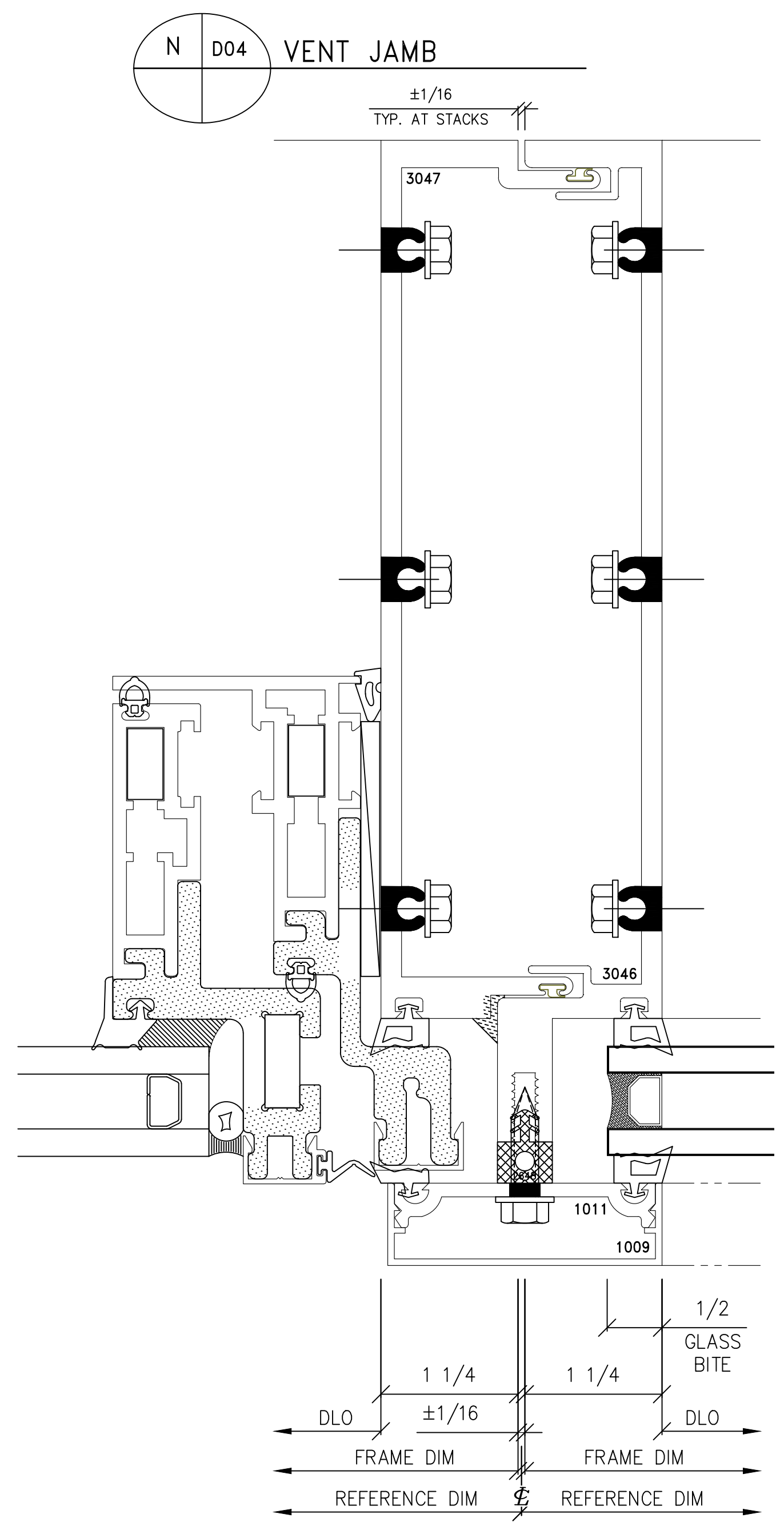
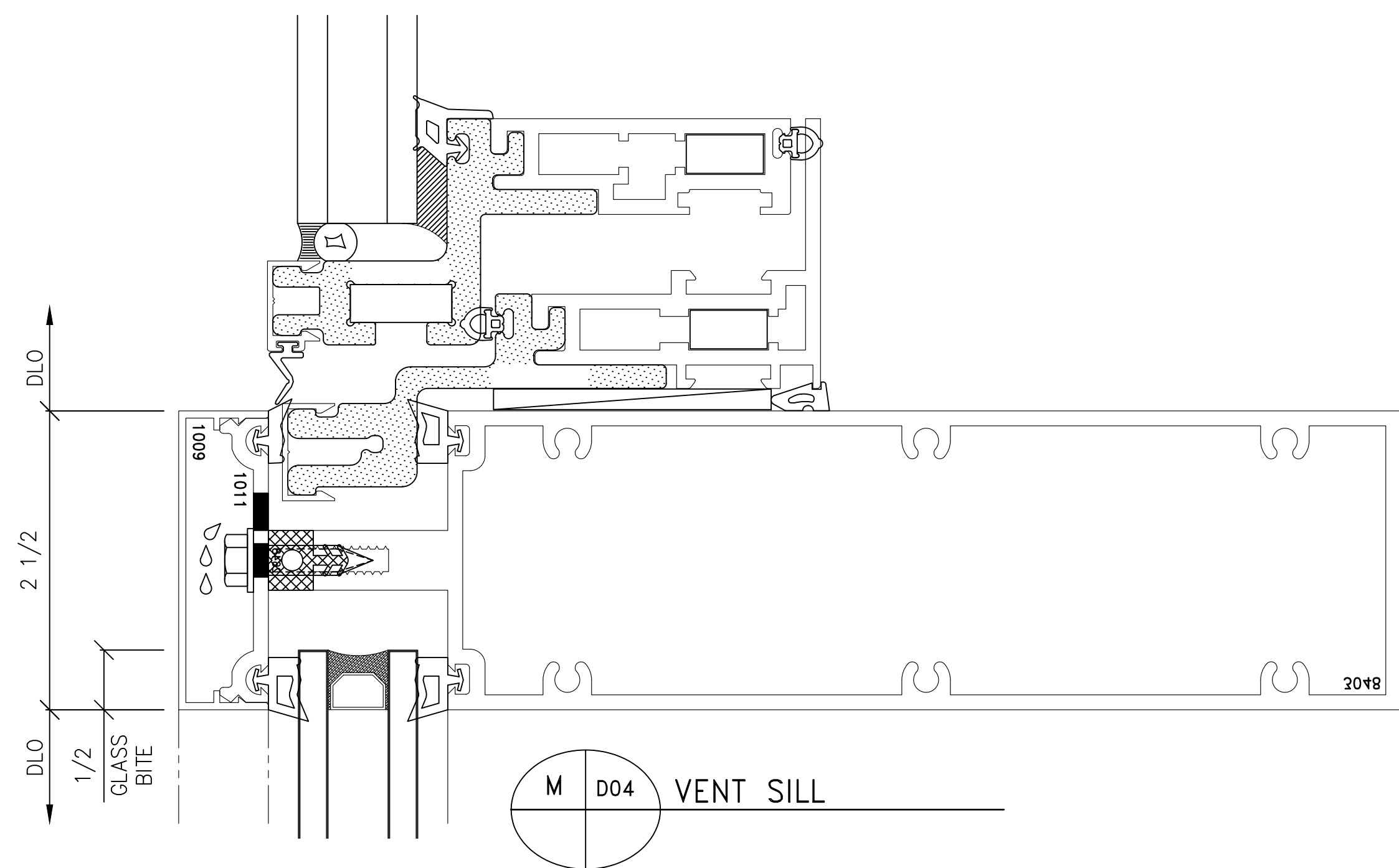
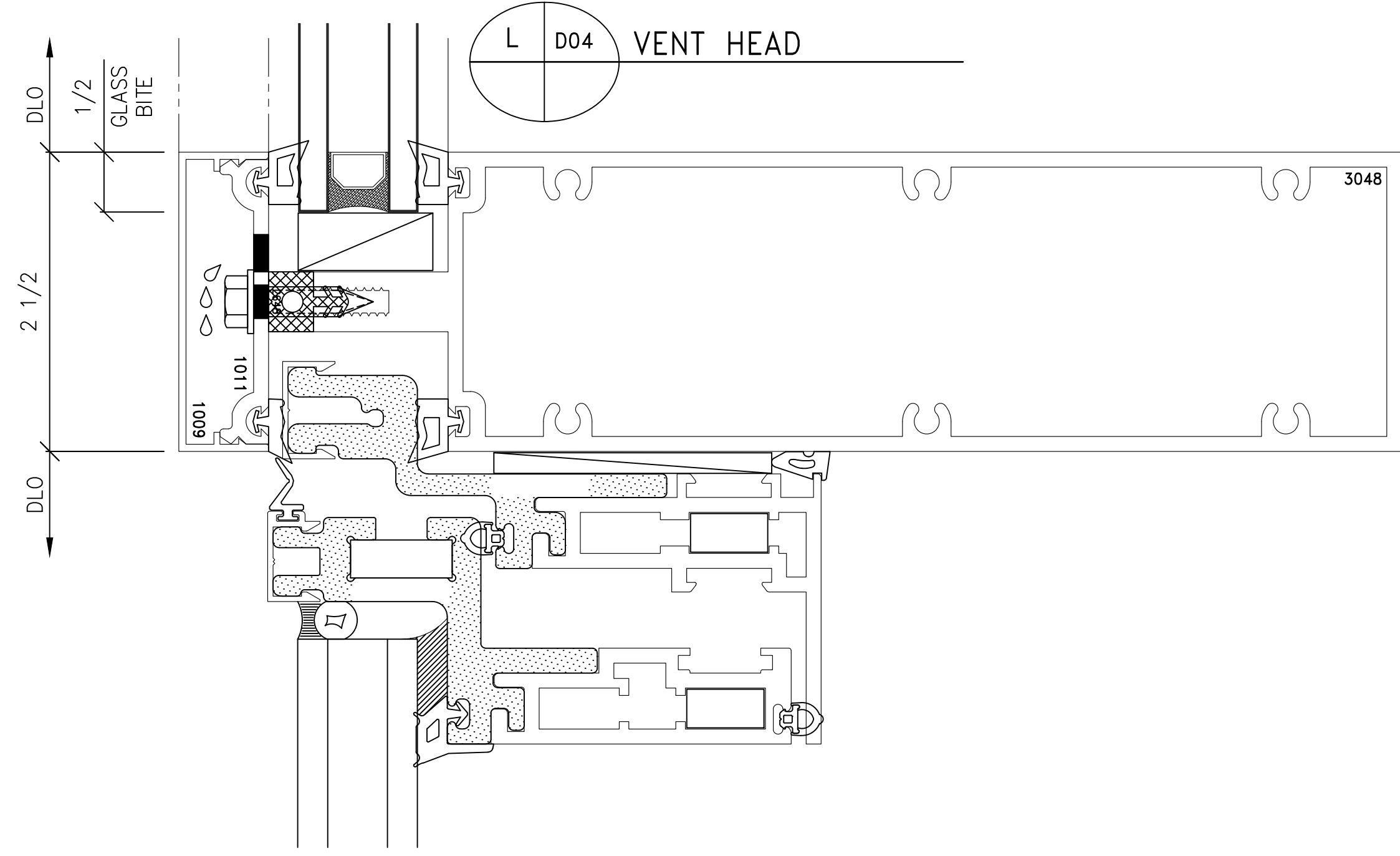
PROJECT:		FM2510 WITH 1" IGU	
LOCATION:			
ARCHITECT:			
CONTRACTOR:			
JOB NUMBER			
SHEET TITLE		DETAIL SHEET	
DRAWING SCALE		11x17 = 6" = 1'-0" 22x34 = 12" = 1'-0"	
DRAWING NO.		D02	
DRAWN BY:	TAF	NO.	DATE
DATE:	10/16/23	BY	REVISIONS
<p>GENERAL NOTES:</p> <p>1) Contractor to verify all dimensions in the field. All framing will be manufactured to the dimensions indicated unless otherwise noted.</p> <p>2) Architect to review all conditions for compliance to contract documents and, if required, provide correct details and/or dimensions to ensure proper coordination.</p> <p>3) Drawings marked 'approved' or 'approved as noted' shall be interpreted as an accurate condition of job requirements and such approval shall authorize release to fabrication.</p> <p>4) Fremara shall not be responsible for any errors and/or work that occurs from the use of these drawings by other trades.</p>			

Fremara
INNOVATIONS

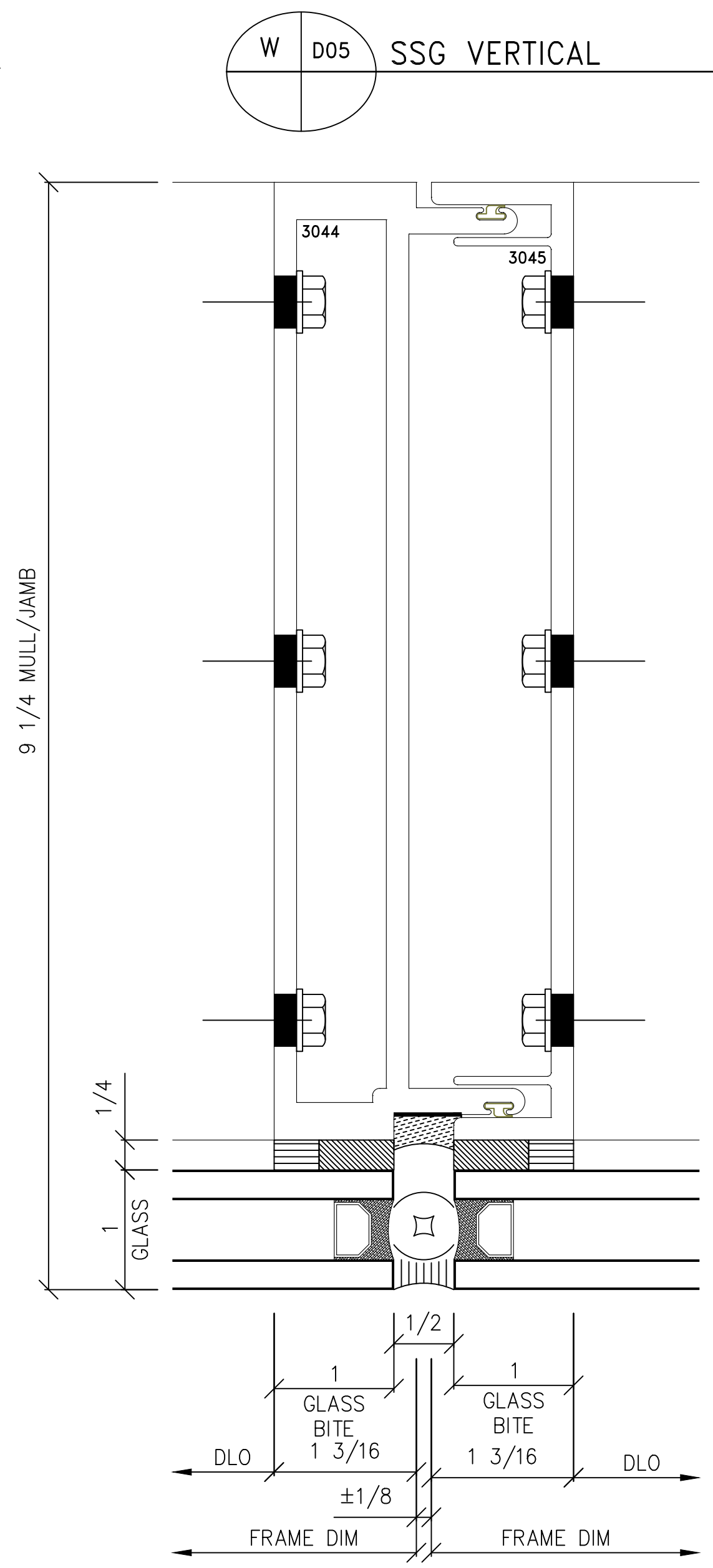
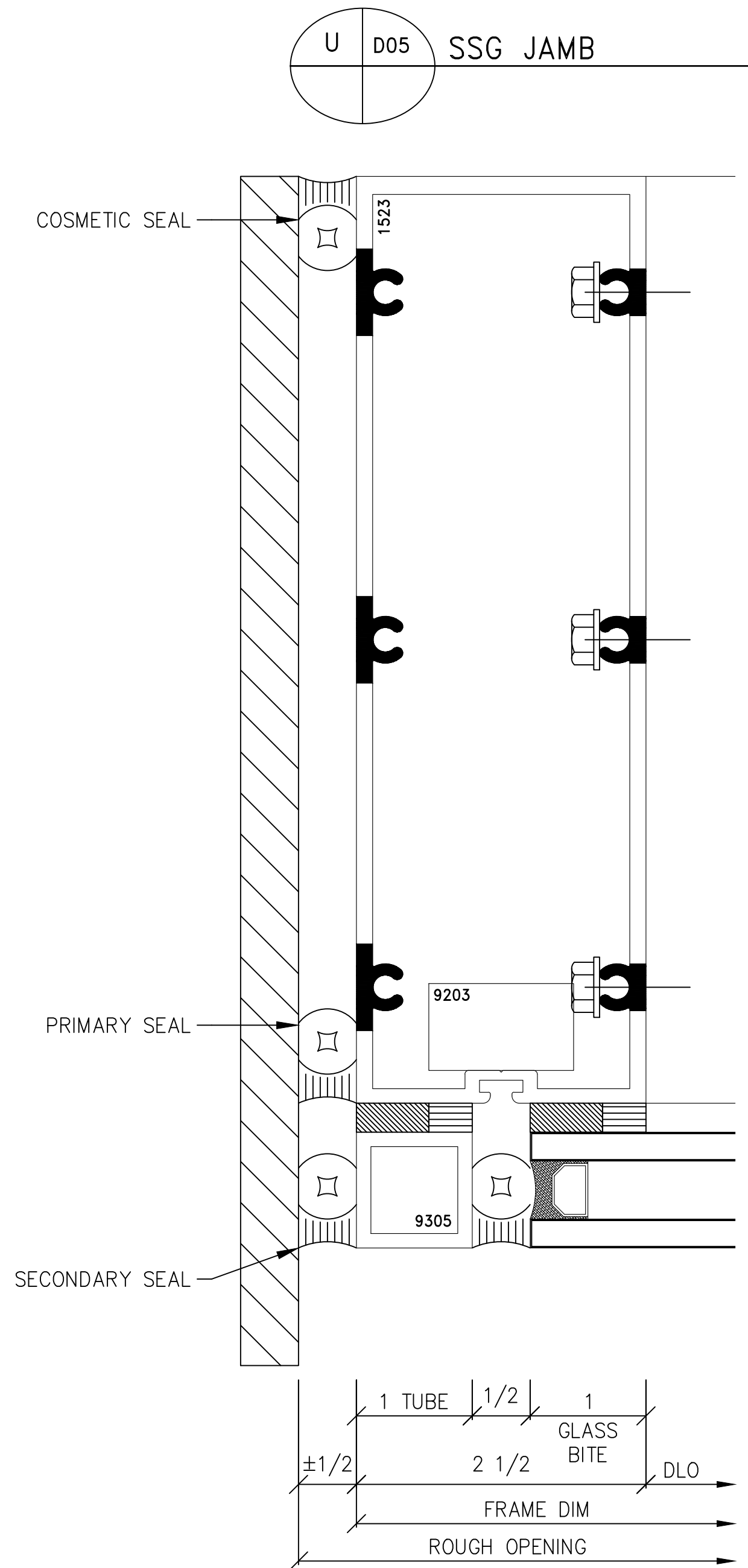
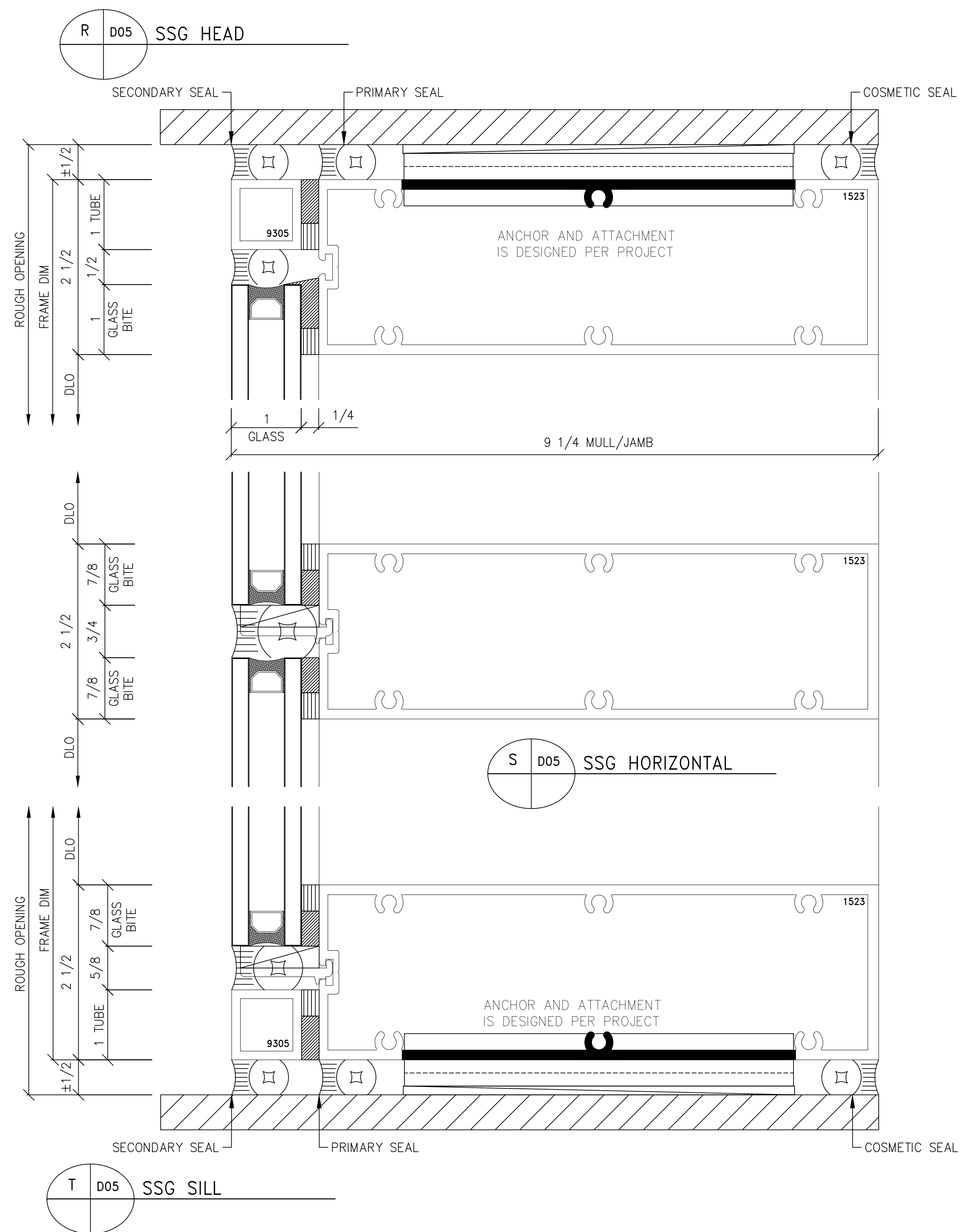
1101 NORTH MILL STREET
MERRILL, WISCONSIN 54452
WWW.FREMARAINNOVATIONS.COM



PROJECT:	FM2510 WITH 1" IGU			
	LOCATION:	ARCHITECT:	CONTRACTOR:	
DRAWN BY:	TAF	NO.	DATE	BY
		10/16/23		
GENERAL NOTES: 1) Contractor to verify all dimensions in the field. All framing will be manufactured to the dimensions indicated unless otherwise noted. 2) Architect to review all conditions for compliance to contract documents and, if required, provide correct details and/or dimensions to ensure proper coordination. 3) Drawings marked "approved" or "approved as noted" shall be interpreted as an accurate condition of job requirements and such approval shall authorize release to fabrication. 4) Fremara shall not be responsible for any errors and/or work that occurs from the use of these drawings by other trades.				
Job Number _____		SHEET TITLE DETAIL SHEET		
Drawing Scale 11x17 = 6" = 1'-0" 22x34 = 12" = 1'-0"		Drawing No. D03		



PROJECT:		FM2510 WITH 1" IGU	
LOCATION:			
ARCHITECT:			
CONTRACTOR:			
DRAWN BY:		TAF	
DATE:		10/16/23	
NO.		BY	
REVISIONS			
GENERAL NOTES: 1) Contractor to verify all dimensions in the field. All framing will be manufactured to the dimensions indicated unless otherwise noted. 2) Architect to review all conditions for compliance to contract documents and, if required, provide correct details and/or dimensions to ensure proper coordination. 3) Drawings marked "approved" or "approved as noted" shall be interpreted as an accurate condition of job requirements and such approval shall authorize release to fabrication. 4) Fremara shall not be responsible for any errors and/or work that occurs from the use of these drawings by other trades.			
JOB NUMBER			
SHEET TITLE		DETAIL SHEET	
DRAWING SCALE		11x17 = 6" = 1'-0"	
		22x34 = 12" = 1'-0"	
DRAWING NO.		D04	



PROJECT: FM2510 WITH 1" IGU	DRAWN BY: TAF	NO.	DATE	BY	REVISIONS
	DATE: 10/16/23	NO.	DATE	BY	REVISIONS
	GENERAL NOTES: 1) Contractor to verify all dimensions in the field. All framing will be manufactured to the dimensions indicated unless otherwise noted. 2) Architect to review all conditions for compliance to contract documents and, if required, provide correct details and/or dimensions to ensure proper coordination. 3) Drawings marked "approved" or "approved as noted" shall be interpreted as an accurate condition of job requirements and such approval shall authorize release to fabrication. 4) Fremarq shall not be responsible for any errors and/or work that occurs from the use of these drawings by other trades.				
LOCATION: FM2510 WITH 1" IGU	ARCHITECT:	CONTRACTOR:			
1101 NORTH MILL STREET MERRILL, WISCONSIN 54452 WWW.FREMARQINNOVATIONS.COM					
JOB NUMBER					
SHEET TITLE DETAIL SHEET					
DRAWING SCALE 11x17 = 6" = 1'-0" 22x34 = 12" = 1'-0"					
DRAWING NO. D05					