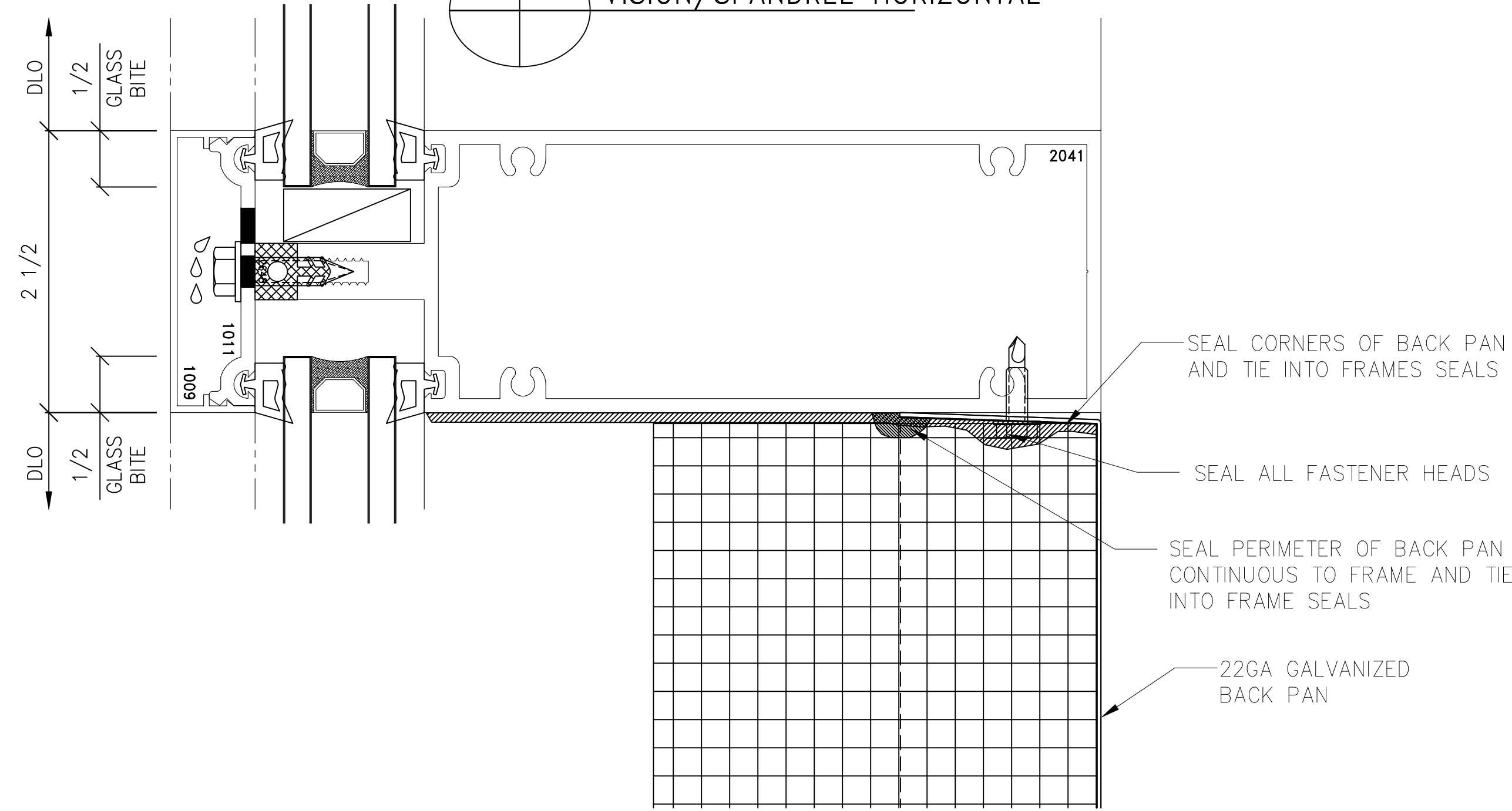
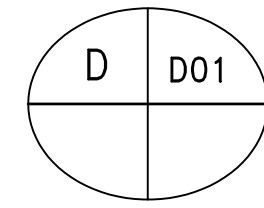
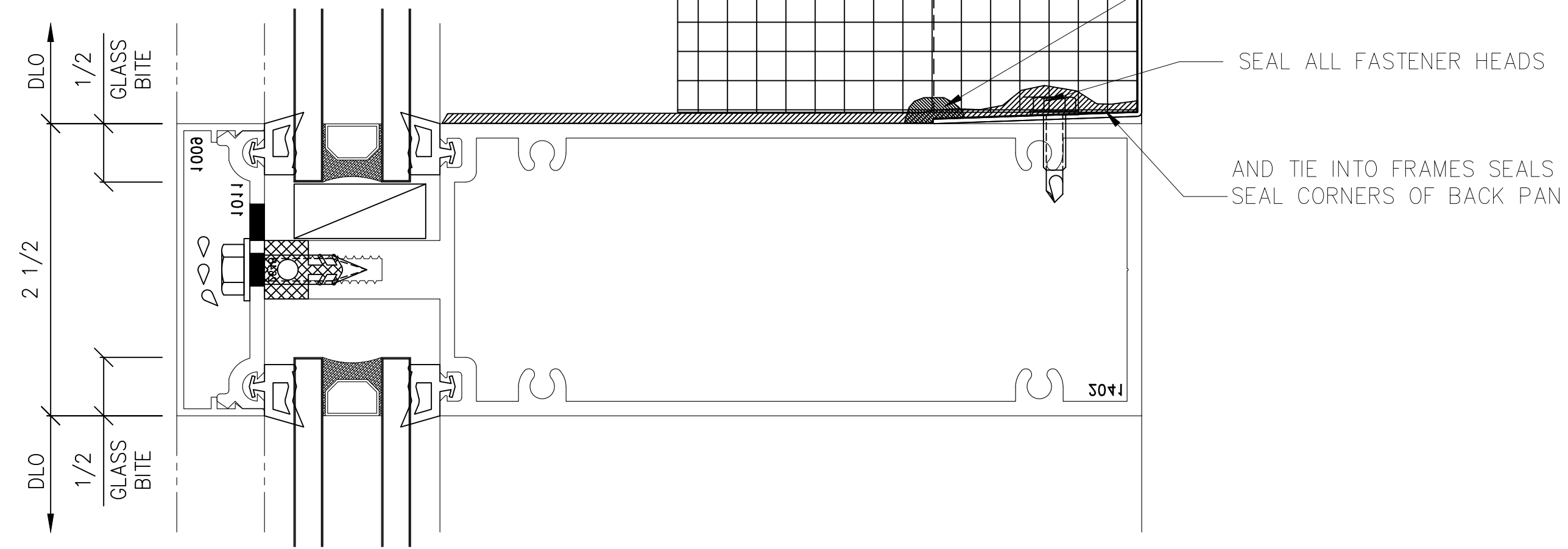
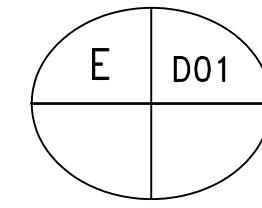
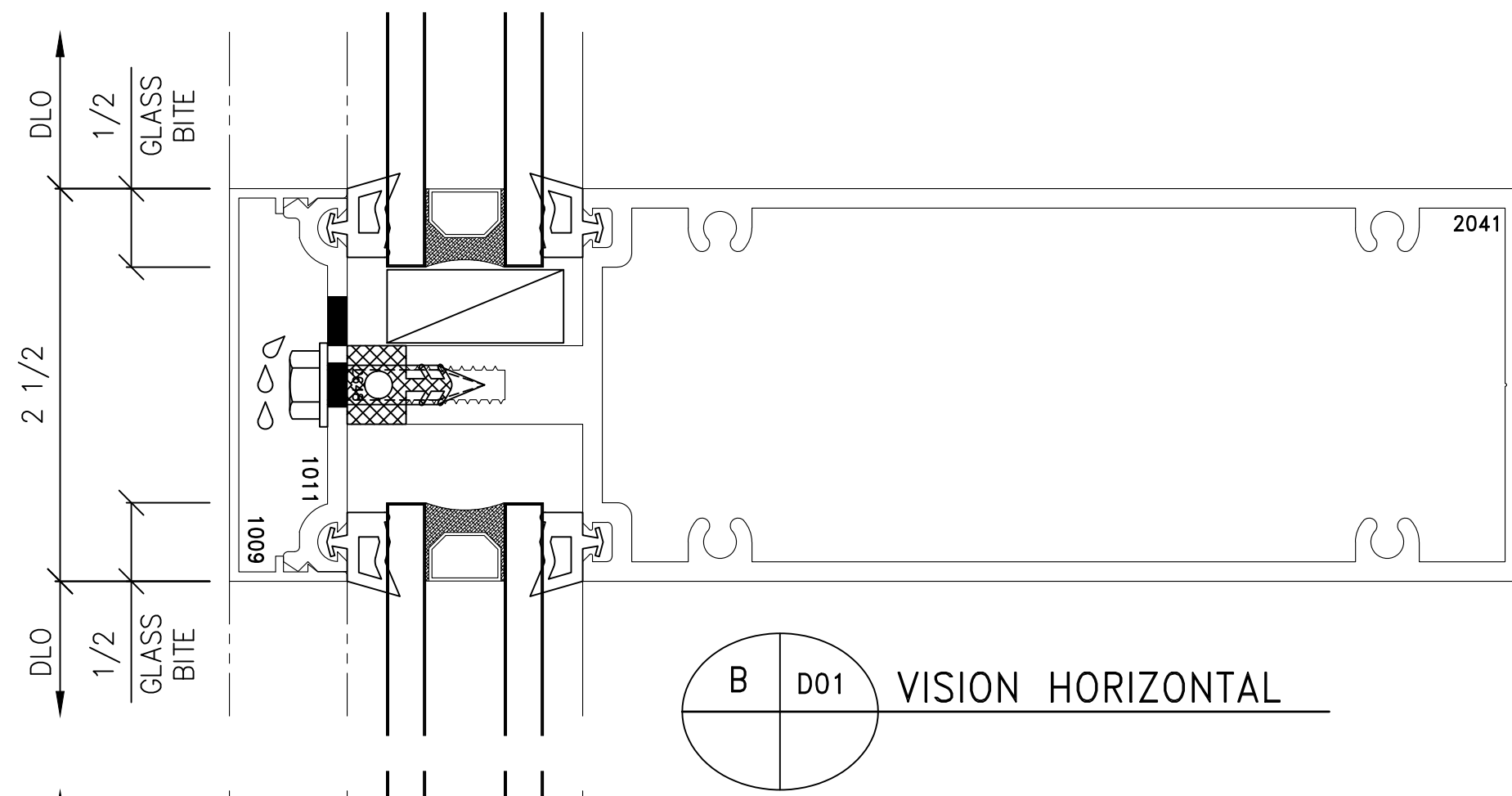
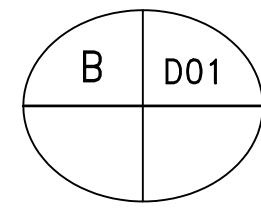
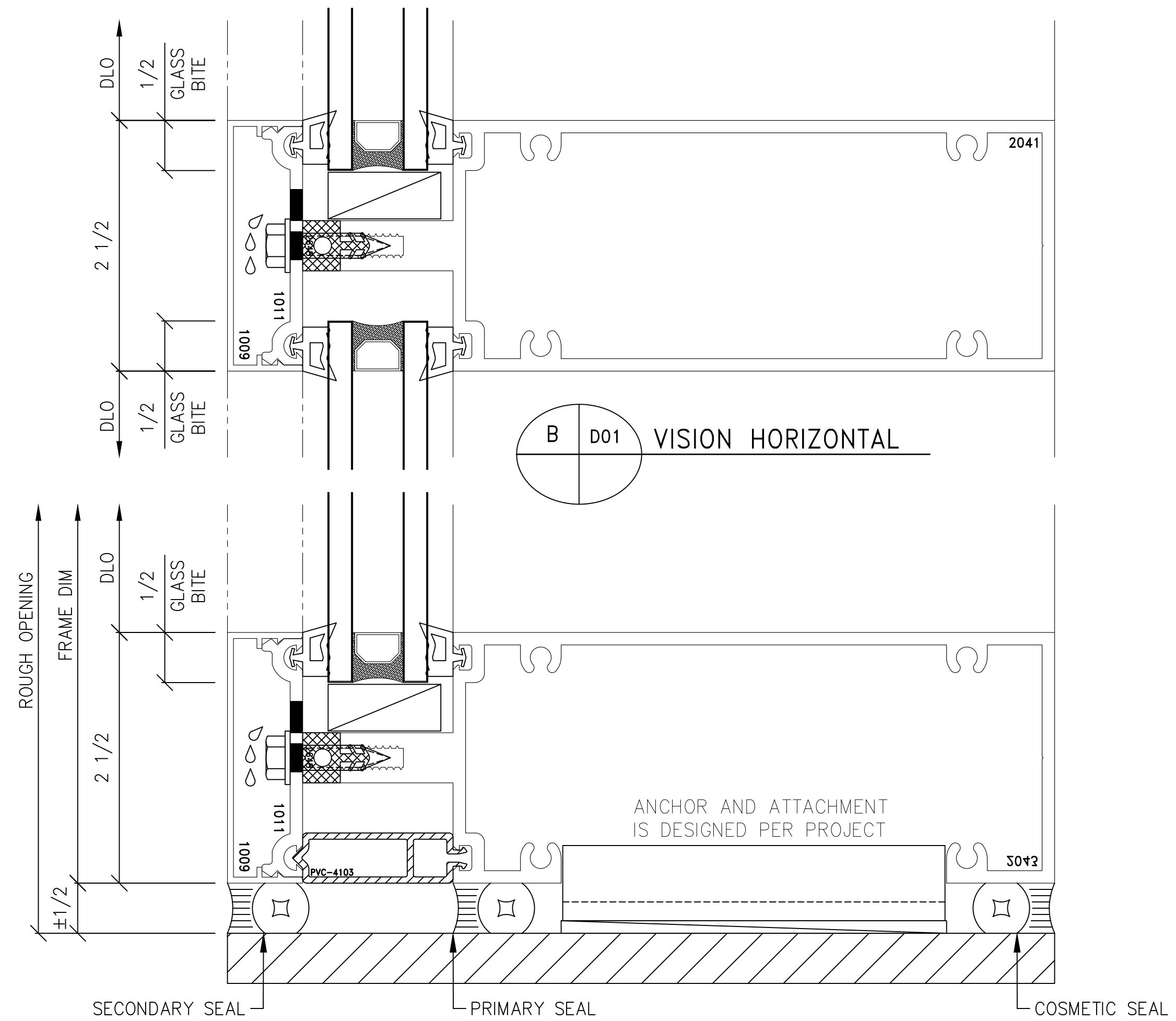
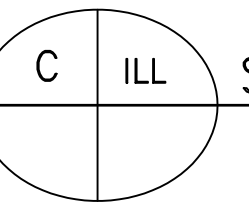
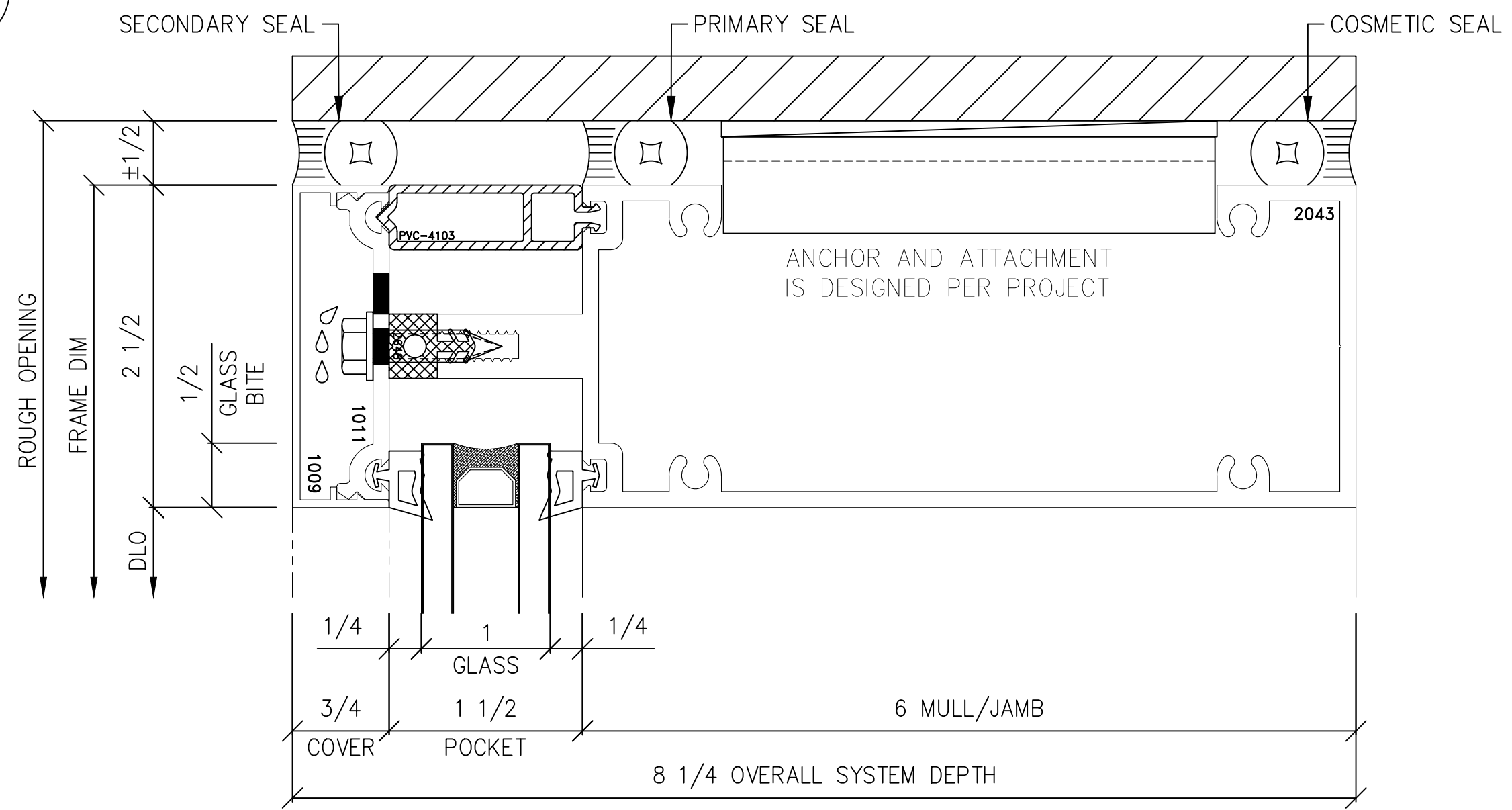
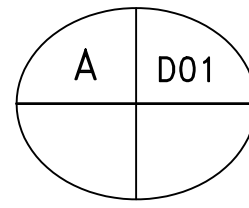


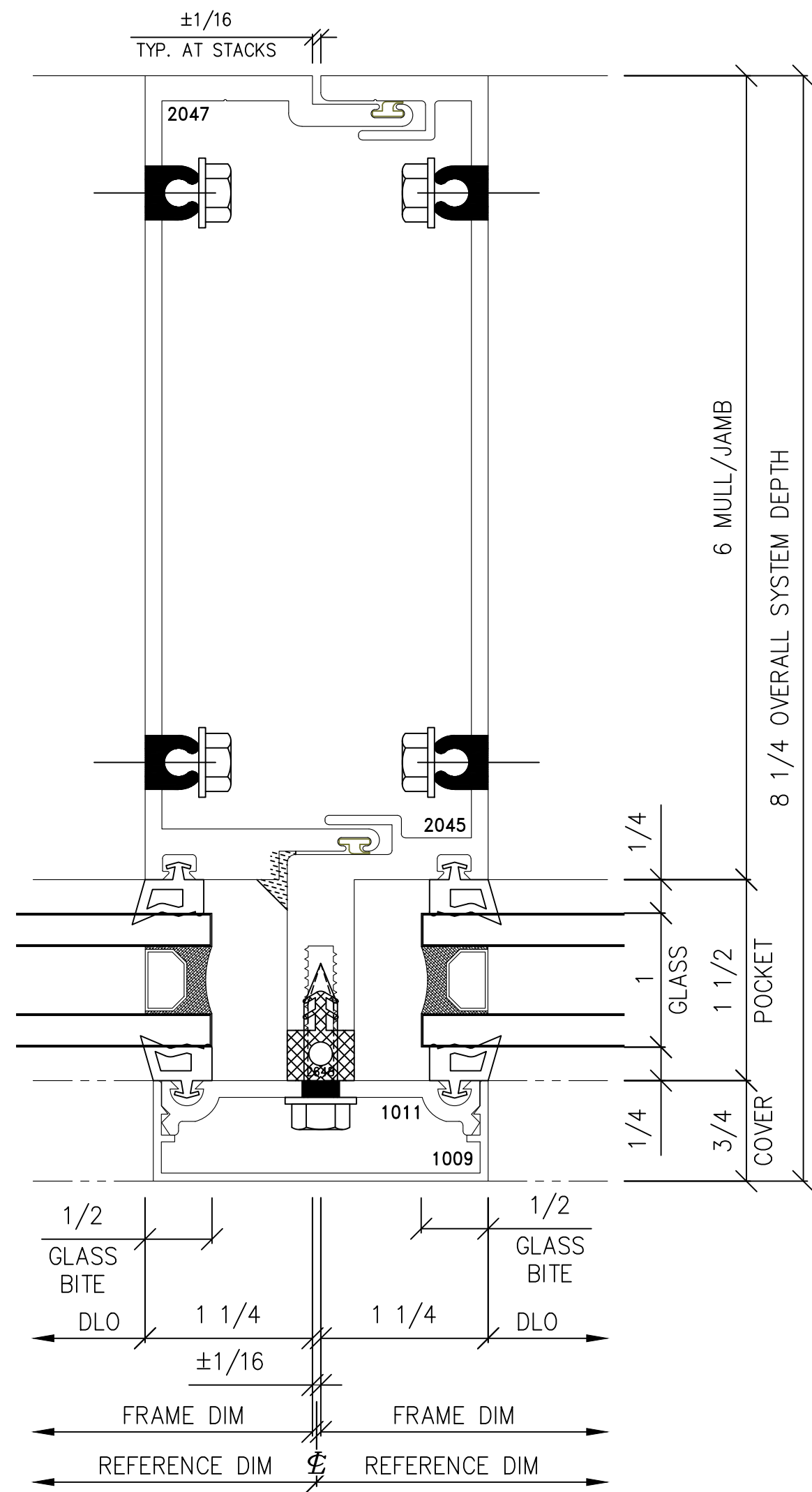
PROJECT: FM2508 WITH 1" IGU
 LOCATION:
 ARCHITECT:
 CONTRACTOR:
 JOB NUMBER
 SHEET TITLE
ELEVATION SHEET
 DRAWING SCALE
 11x17 = 6" = 1'-0"
 22x34 = 12" = 1'-0"
 DRAWING NO.
E01

DRAWN BY: TAS
 DATE: 10/16/23
 NO. DATE BY REVISIONS

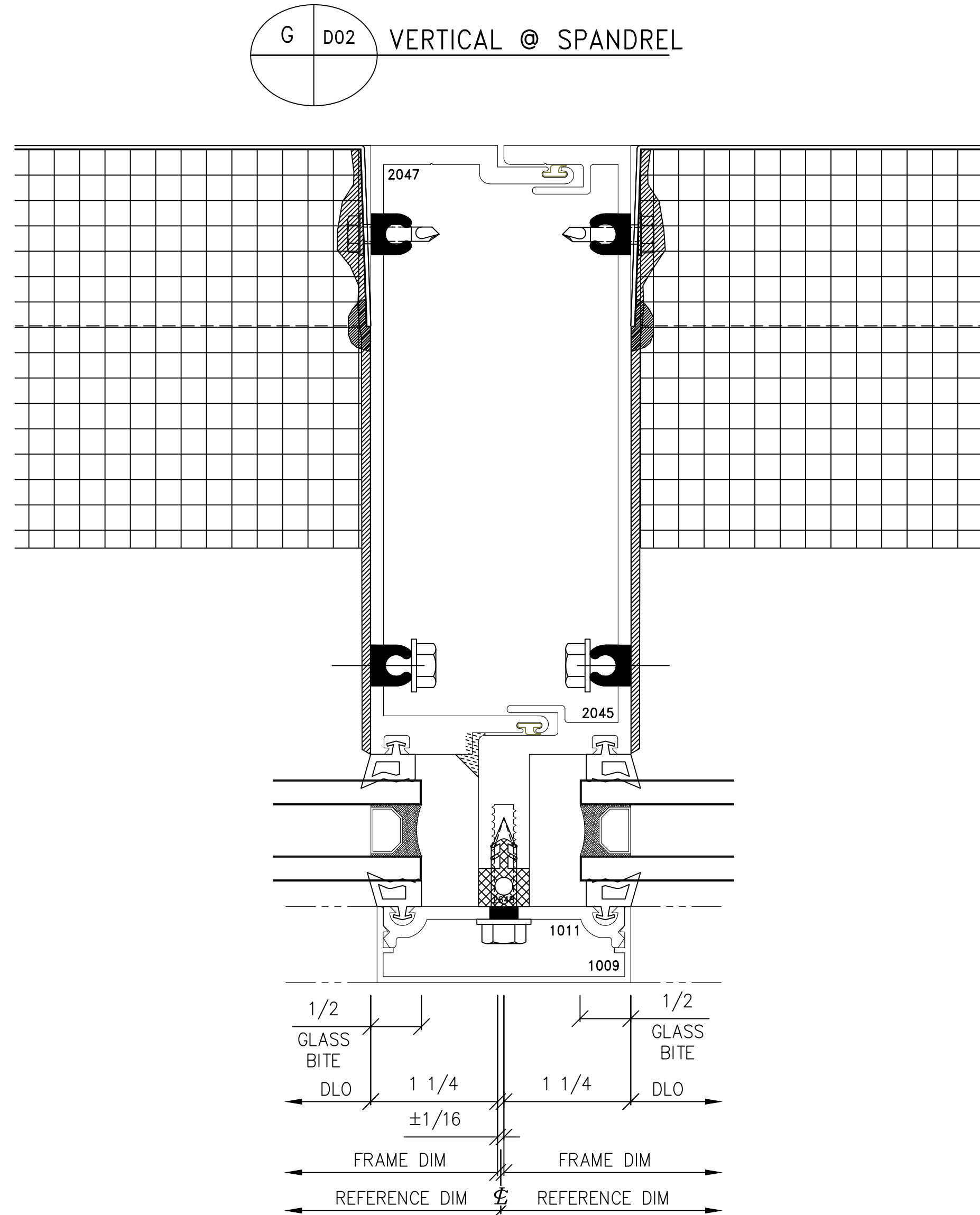
GENERAL NOTES:
 1) Contractor to verify all dimensions in the field. All framing will be manufactured to the dimensions indicated unless otherwise noted.
 2) Architect to review all conditions for compliance to contract documents and, if required, provide correct details and/or dimensions to ensure proper coordination.
 3) Drawings marked 'approved' or 'approval as noted' shall be interpreted as an accurate condition of job requirements and such approval shall authorize release to fabrication.
 4) Fremara shall not be responsible for any errors and/or work that occurs from the use of these drawings by other trades.



PROJECT: FM2508 WITH 1" IGU		DRAWN BY: TAF		REVISIONS	
LOCATION:		DATE: 10/16/23		NO. BY	
ARCHITECT:		DATE:		BY	
CONTRACTOR:		DATE:		BY	
JOB NUMBER		DRAWING SCALE		DRAWING NO.	
SHEET TITLE DETAIL SHEET		11x17 = 6" = 1'-0"		D01	
1101 NORTH MILL STREET MERRILL, WISCONSIN 54452 WWW.FREMARQINNOVATIONS.COM		DRAWING SCALE 22x34 = 12" = 1'-0"		GENERAL NOTES: 1) Contractor to verify all dimensions in the field. All framing will be manufactured to the dimensions indicated unless otherwise noted. 2) Architect to review all conditions for compliance to contract documents and, if required, provide correct details and/or dimensions to ensure proper coordination. 3) Drawings marked 'approved' or 'approved as noted' shall be interpreted as an accurate condition of job requirements and such approval shall authorize release to fabrication. 4) FreMarq shall not be responsible for any errors and/or work that occurs from the use of these drawings by other trades.	

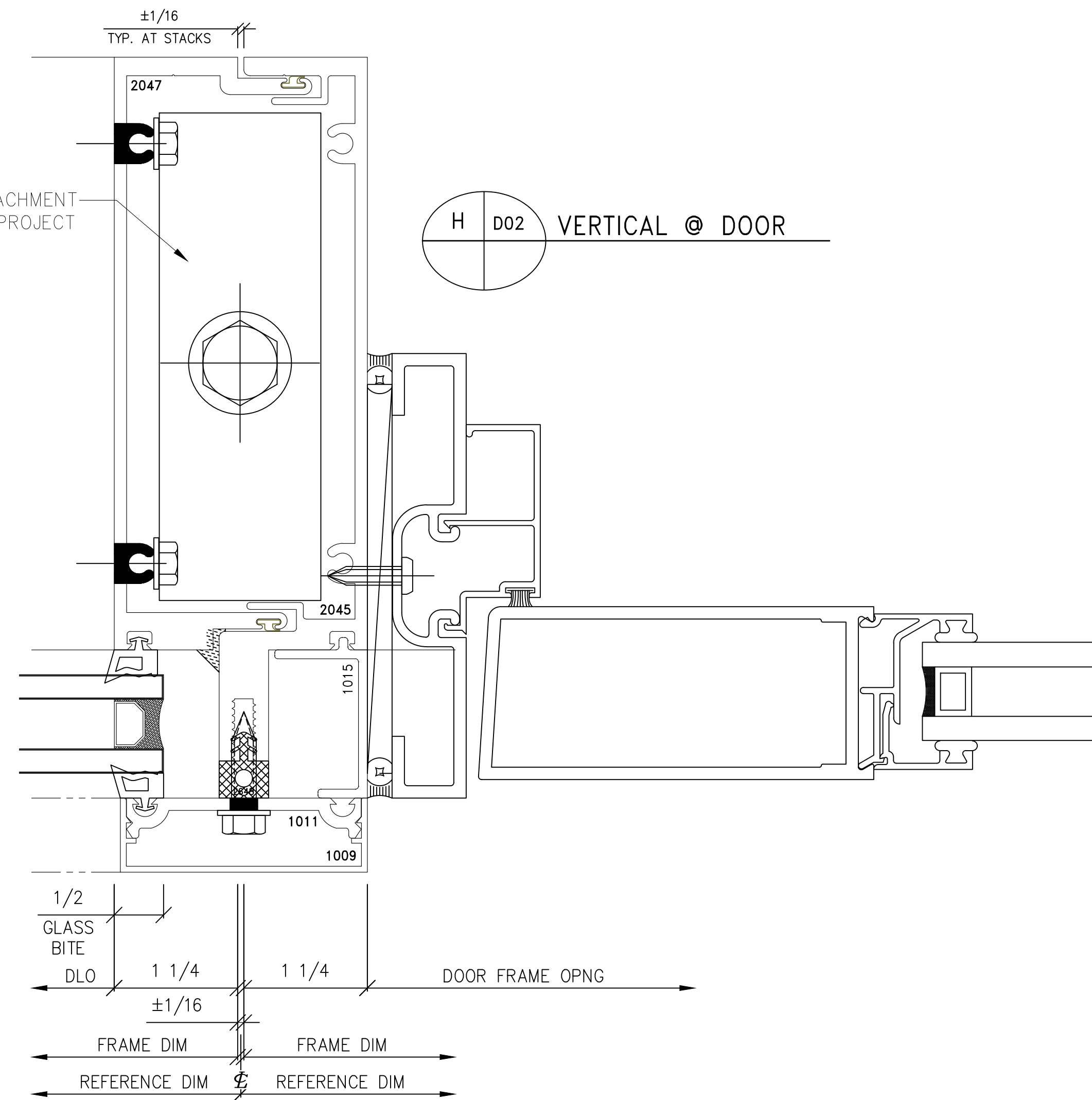


F D02 VERTICAL STACK



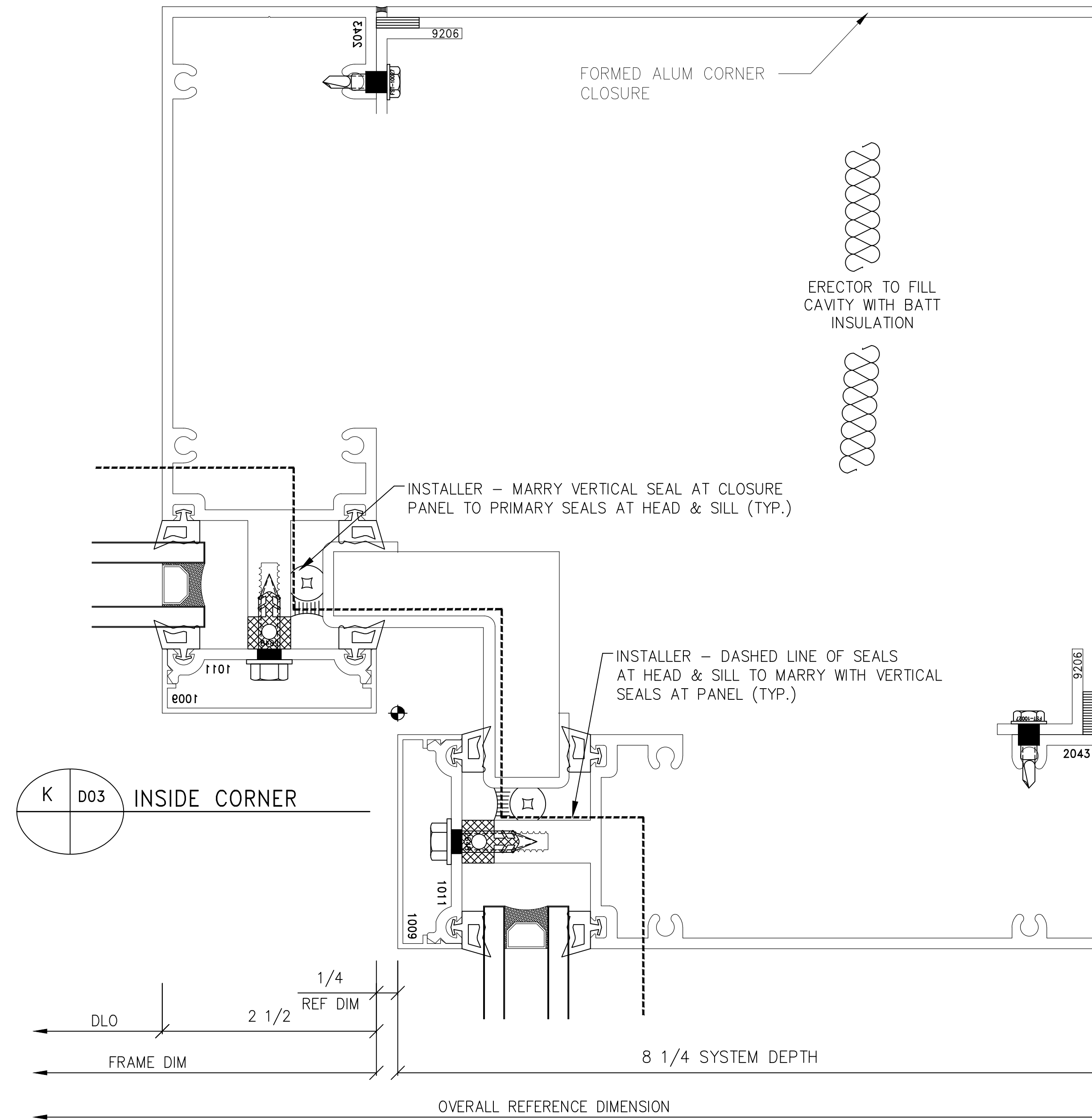
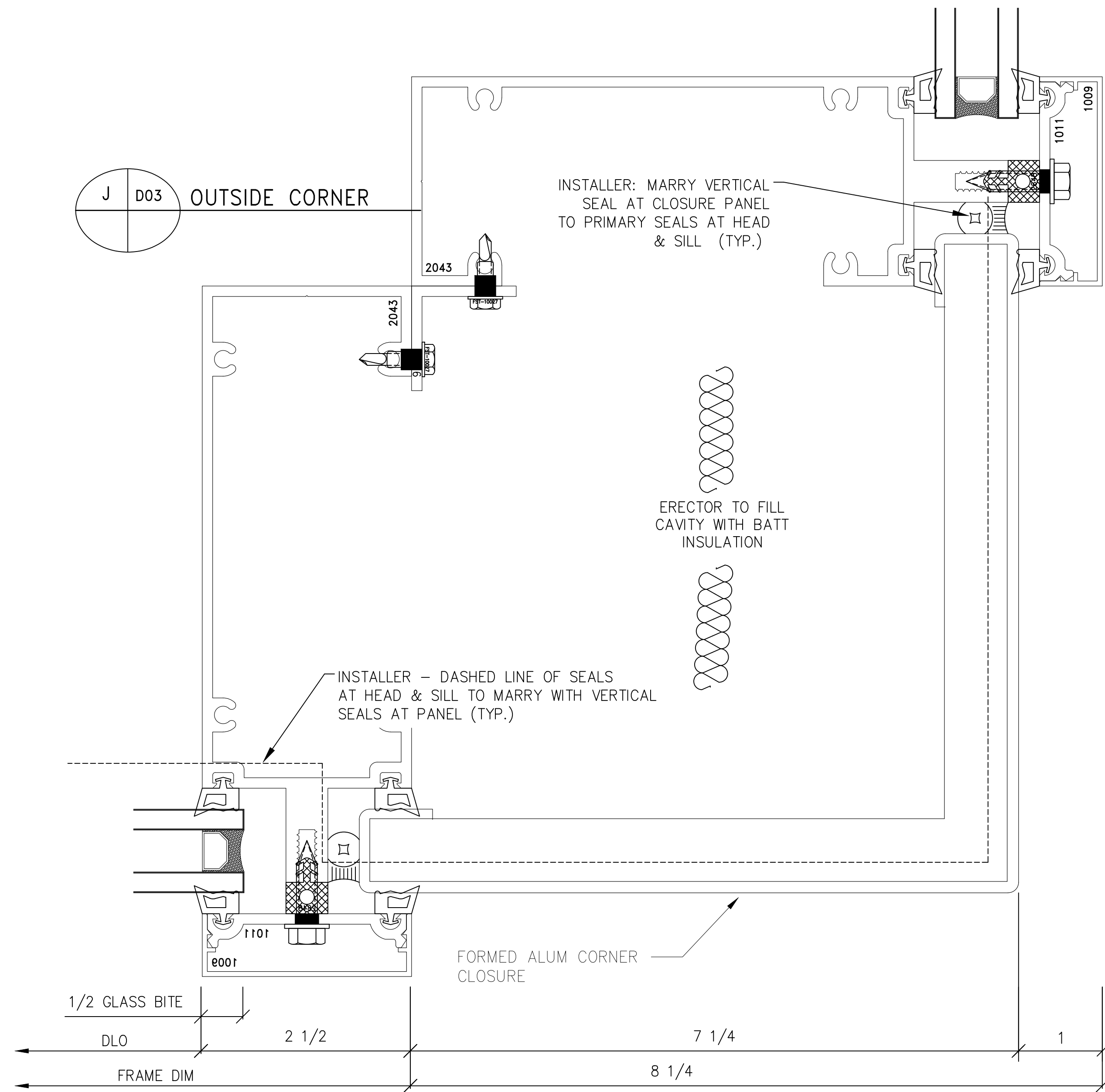
G D02 VERTICAL @ SPANDREL

ANCHOR AND ATTACHMENT IS DESIGNED PER PROJECT

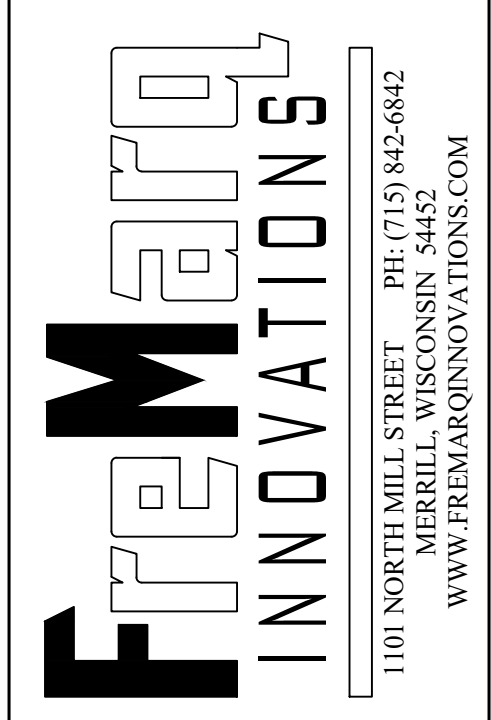
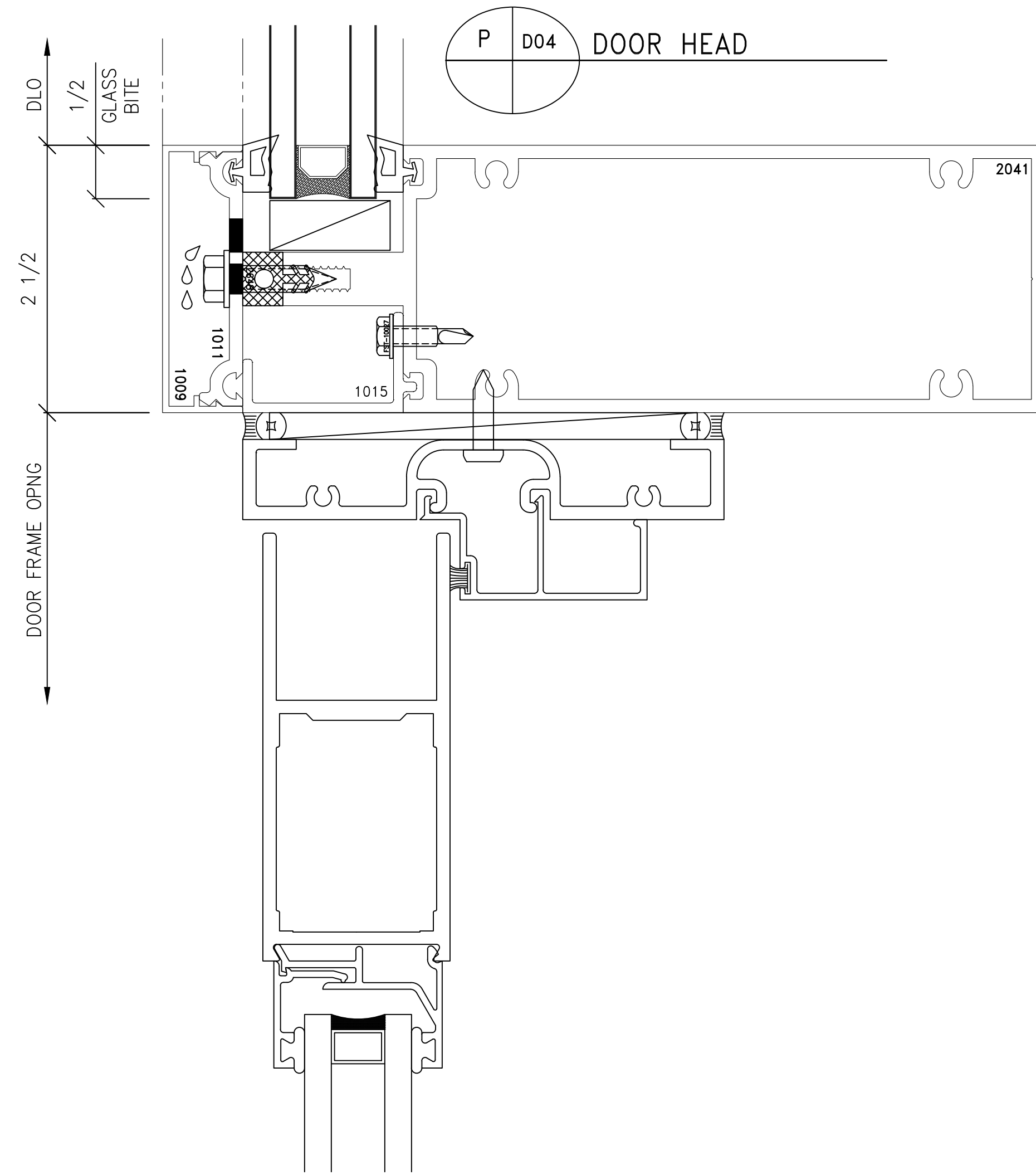
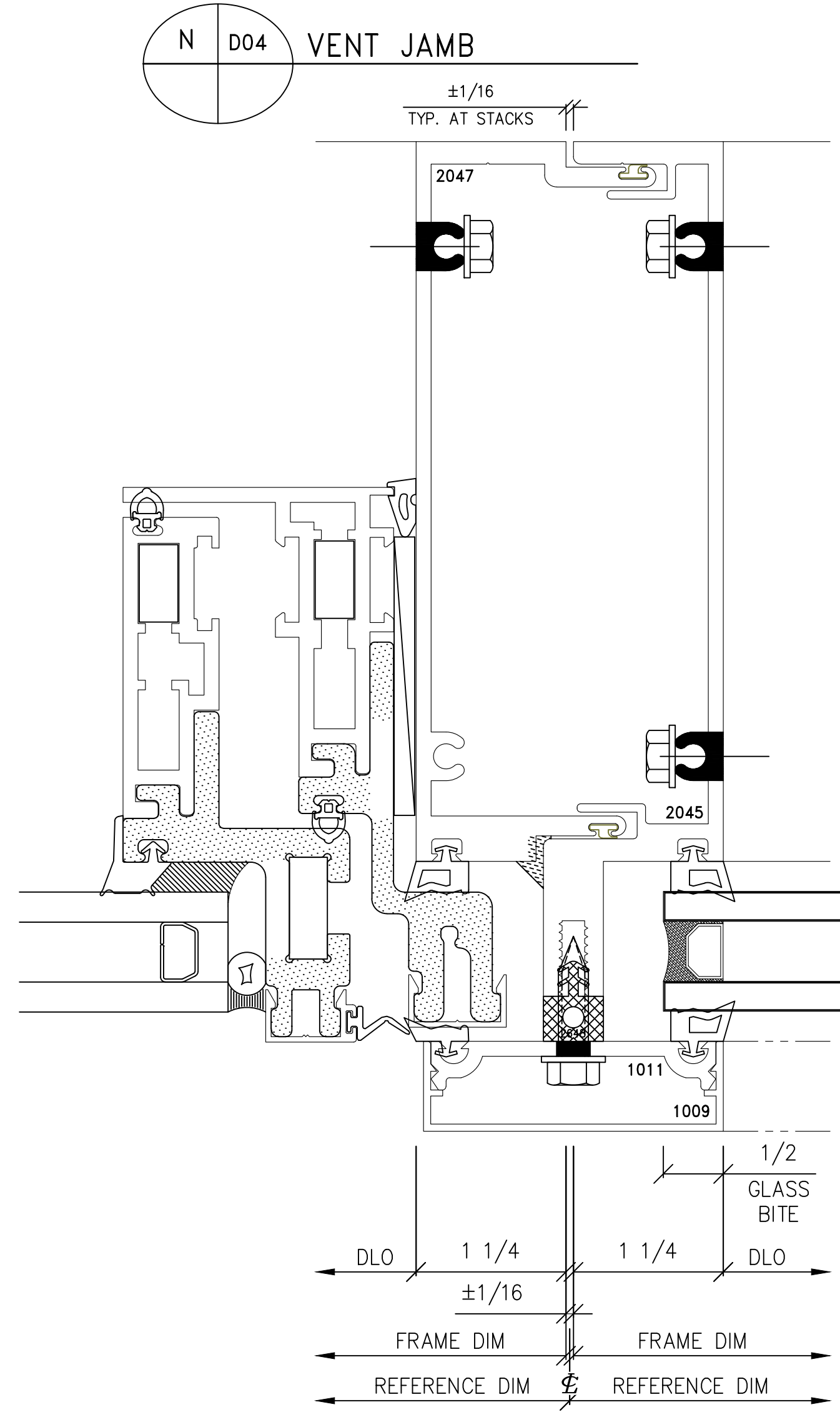
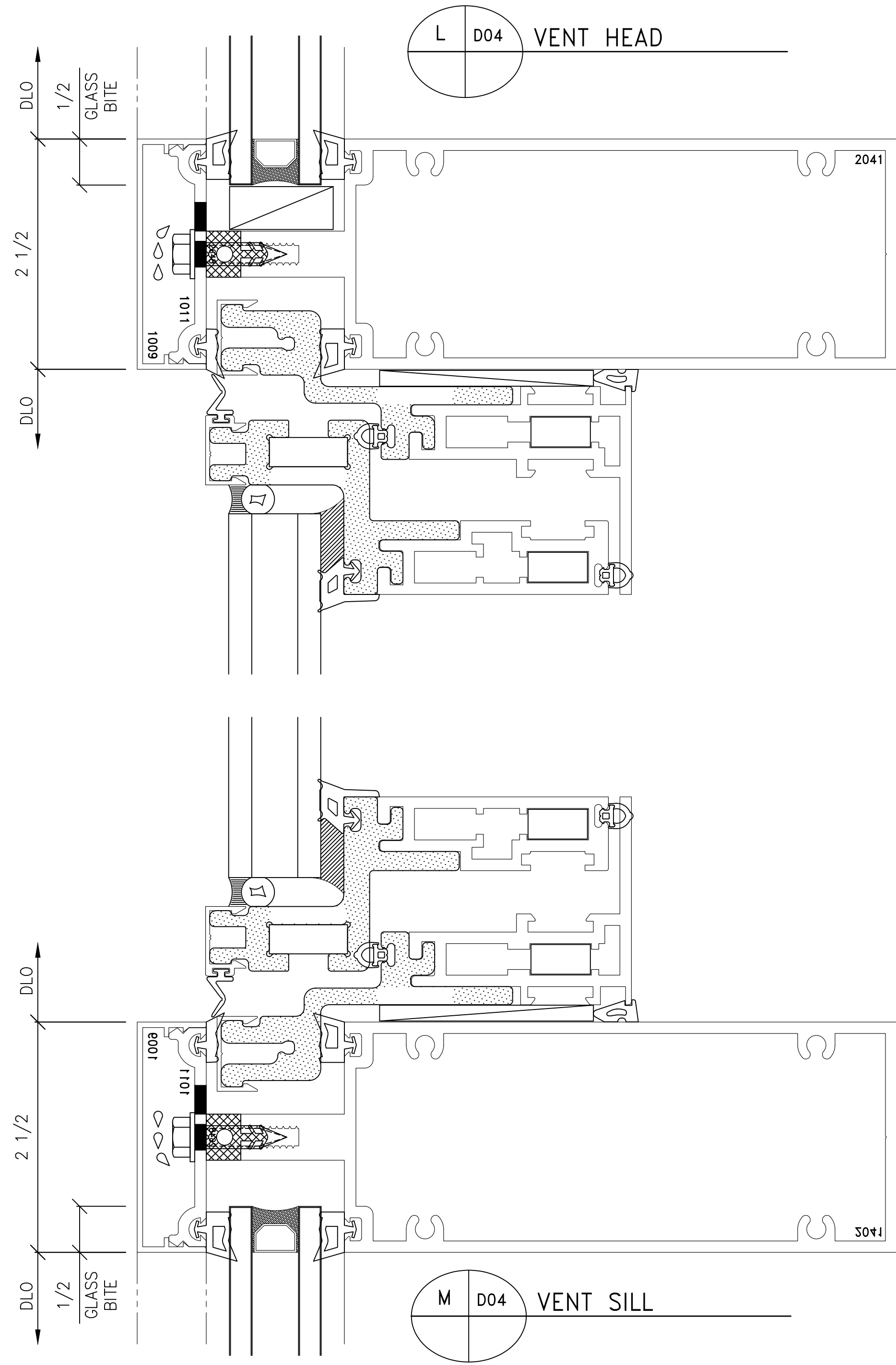


H D02 VERTICAL @ DOOR

PROJECT:		FM2508 WITH 1" IGU	
LOCATION:			
ARCHITECT:			
CONTRACTOR:			
DRAWN BY:		TAF	
DATE:		10/16/23	
NO.		BY	
DATE		REVISIONS	
<p>GENERAL NOTES:</p> <p>1) Contractor to verify all dimensions in the field. All framing will be manufactured to the dimensions indicated unless otherwise noted.</p> <p>2) Architect to review all conditions for compliance to contract documents and, if required, provide correct details and/or dimensions to ensure proper coordination.</p> <p>3) Drawings marked "approved" or "approved as noted" shall be interpreted as an accurate condition of job requirements and such approval shall authorize release to fabrication.</p> <p>4) Fremaraq shall not be responsible for any errors and/or work that occurs from the use of these drawings by other trades.</p>			
JOB NUMBER			
SHEET TITLE		DETAIL SHEET	
DRAWING SCALE		11x17 = 6" = 1'-0"	
		22x34 = 12" = 1'-0"	
DRAWING NO.		D02	



PROJECT:		FM2508 WITH 1" IGU	
LOCATION:			
ARCHITECT:			
CONTRACTOR:			
DRAWN BY:		TAF	
DATE:		10/16/23	
NO.			
DATE			
BY			
REVISIONS			
GENERAL NOTES: 1) Contractor to verify all dimensions in the field. All framing will be manufactured to the dimensions indicated unless otherwise noted. 2) Architect to review all conditions for compliance to contract documents and, if required, provide correct details and/or dimensions to ensure proper coordination. 3) Drawings marked "approved" or "approval as noted" shall be interpreted as an accurate condition of job requirements and such approval shall authorize release to fabrication. 4) Fremara shall not be responsible for any errors and/or work that occurs from the use of these drawings by other trades.			
Fremara INNOVATIONS 1101 NORTH MILL STREET PE: (715) 842-6842 MERRILL, WISCONSIN 54452 WWW.FREMARAINNOVATIONS.COM			
JOB NUMBER			
SHEET TITLE DETAIL SHEET			
DRAWING SCALE 11x17 = 6" = 1'-0" 22x34 = 12" = 1'-0"			
DRAWING NO. D03			

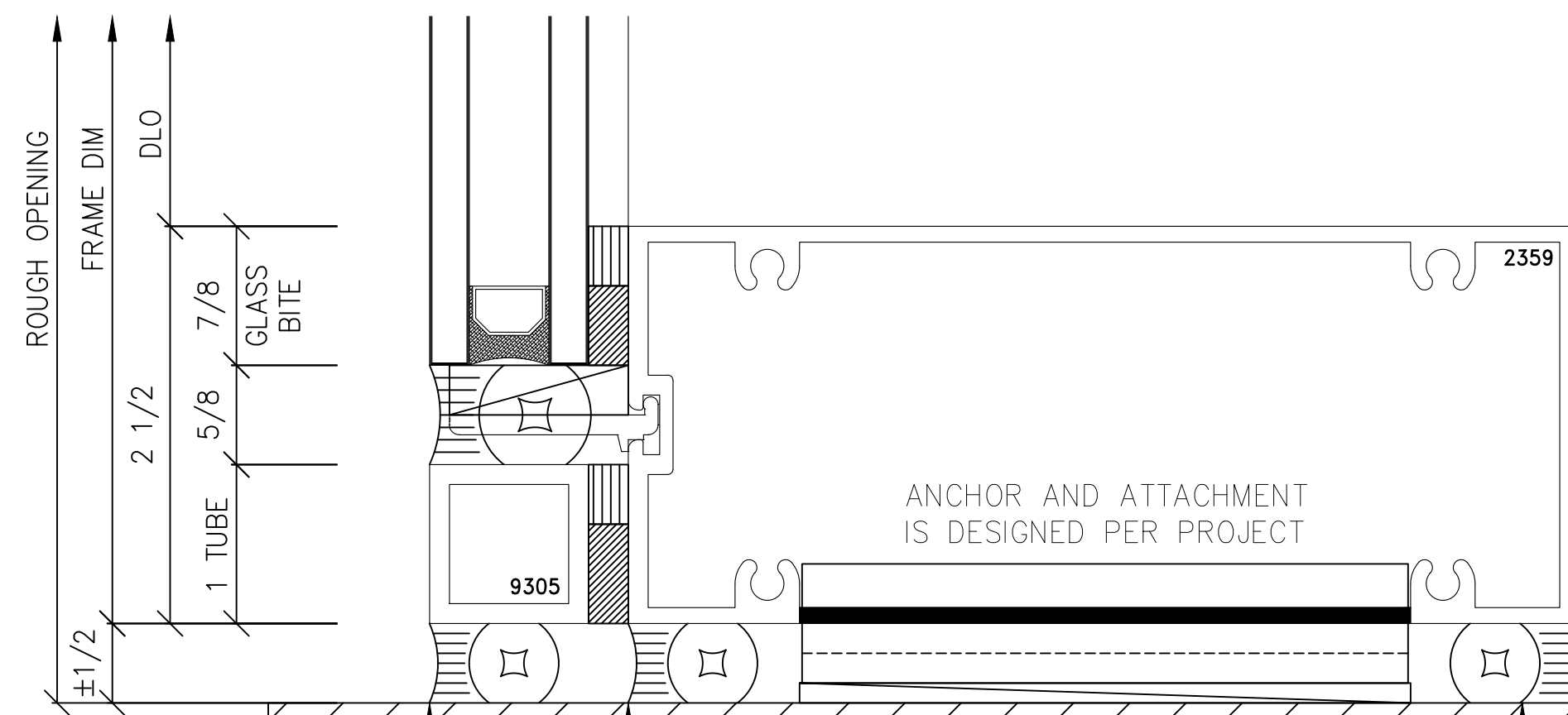
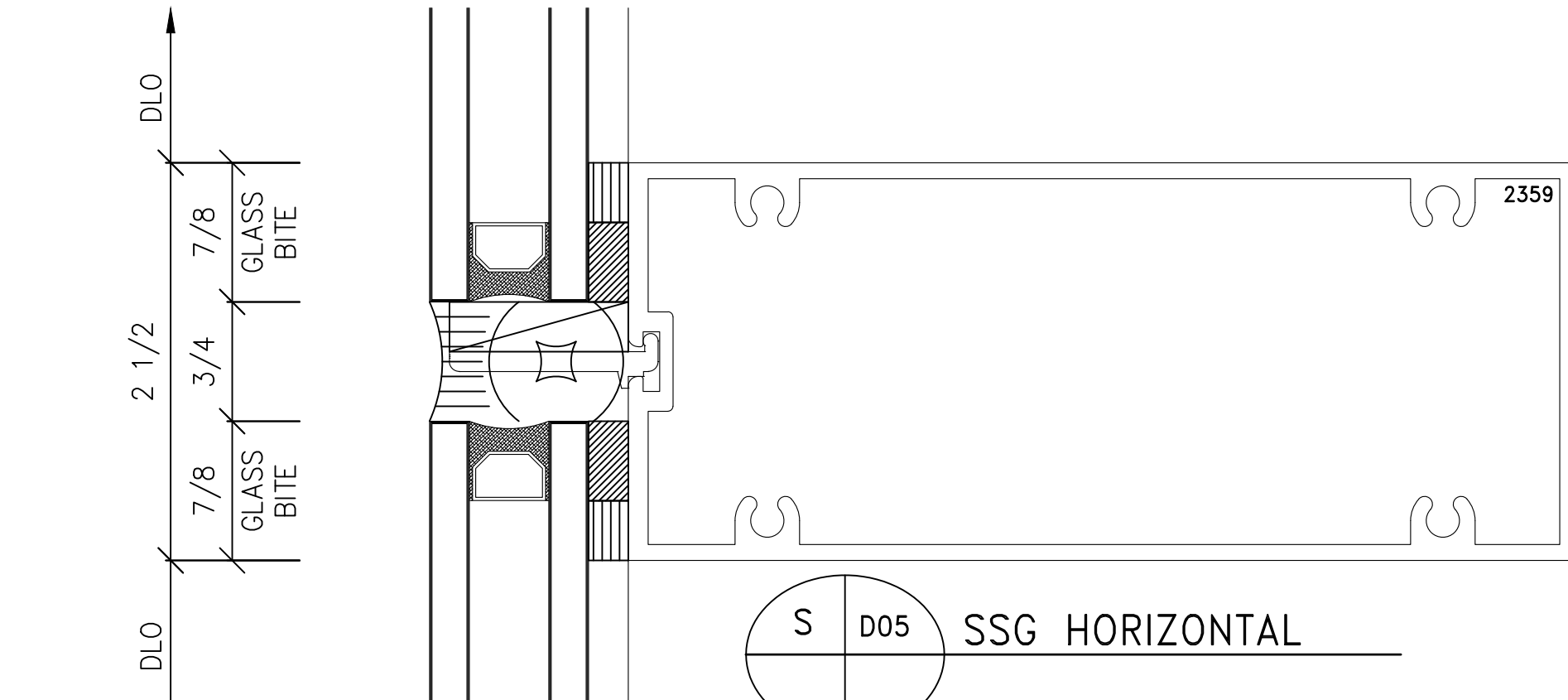
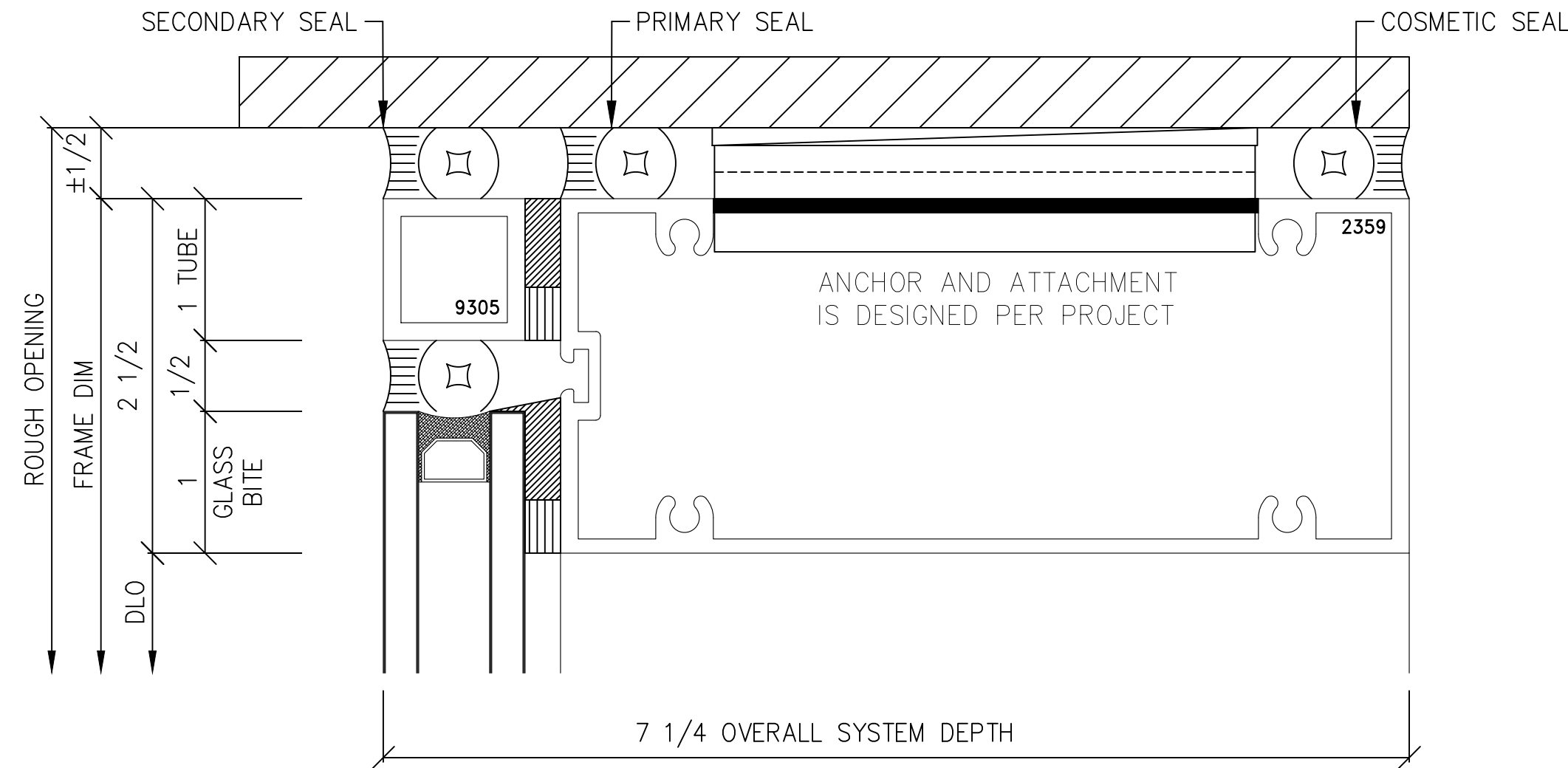


PROJECT: FM2508 WITH 1" IGU
 LOCATION:
 ARCHITECT:
 CONTRACTOR:
 JOB NUMBER
 SHEET TITLE
DETAIL SHEET
 DRAWING SCALE
 11x17 = 6" = 1'-0"
 22x34 = 12" = 1'-0"
 DRAWING NO.
D04

PROJECT:	FM2508 WITH 1" IGU
LOCATION:	
ARCHITECT:	
CONTRACTOR:	
DRAWN BY:	TAF
DATE:	10/16/23
NO.	
DATE	BY
REVISIONS	

GENERAL NOTES:
 1) Contractor to verify all dimensions in the field. All framing will be manufactured to the dimensions indicated unless otherwise noted.
 2) Architect to review all conditions for compliance to contract documents and, if required, provide correct details and/or dimensions to ensure proper coordination.
 3) Drawings marked 'approved' or 'approved as noted' shall be interpreted as an accurate condition of job requirements and such approval shall authorize release to fabrication.
 4) Fremara shall not be responsible for any errors and/or work that occurs from the use of these drawings by other trades.

R D05 SSG HEAD



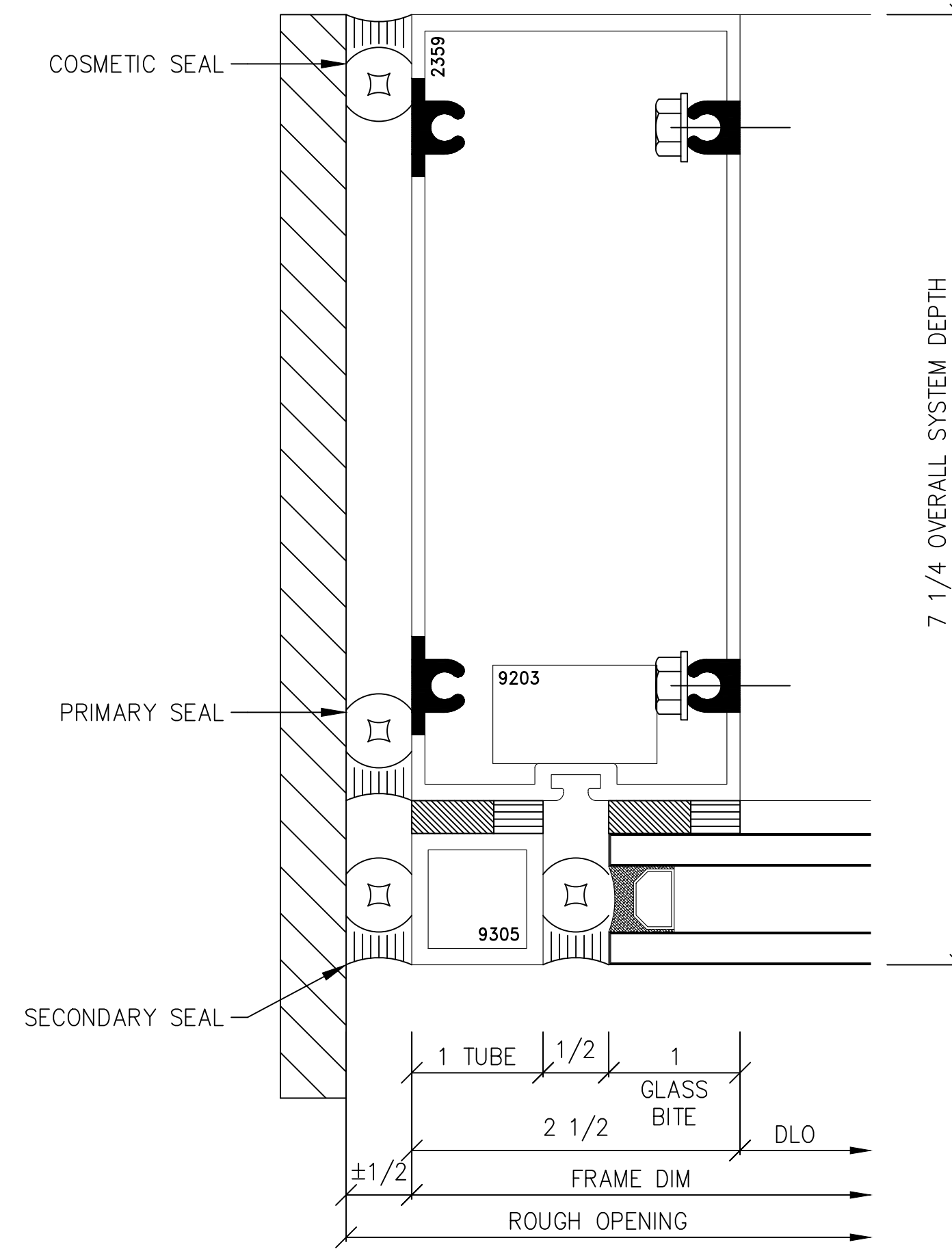
T D05 SSG SILL

SECONDARY SEAL

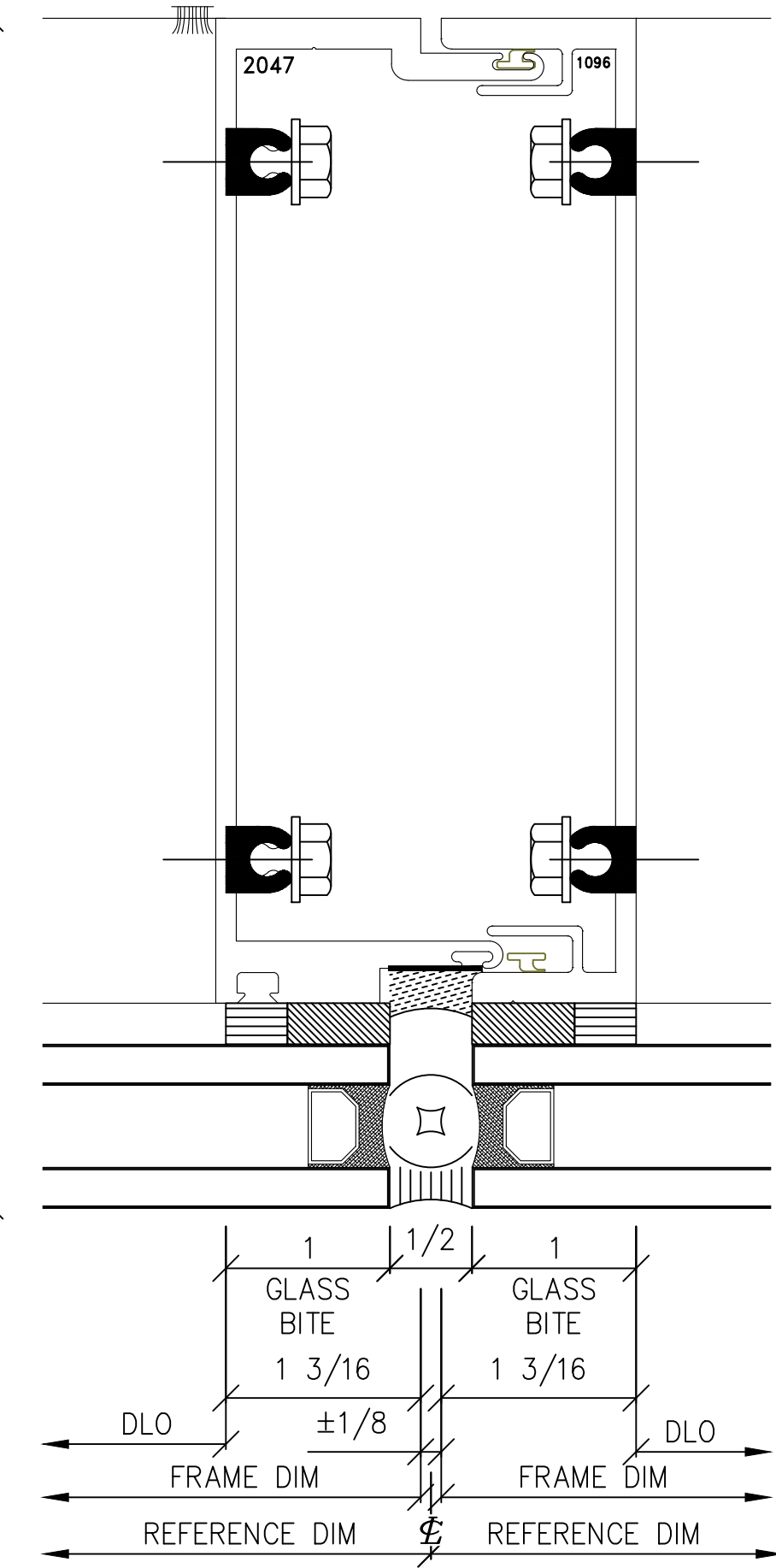
PRIMARY SEAL

COSMETIC SEAL

U D05 SSG JAMB



W D05 SSG VERTICAL



PROJECT: FM2508 WITH 1" IGU

LOCATION:

ARCHITECT:

CONTRACTOR:

Fremara
INNOVATIONS

1101 NORTH MILL STREET
MERRILL, WISCONSIN 54452
WWW.FREMARAINNOVATIONS.COM

JOB NUMBER

SHEET TITLE
DETAIL SHEET

DRAWING SCALE
11x17 = 6" = 1'-0"
22x34 = 12" = 1'-0"

DRAWING NO.
D05

DRAWN BY: TAF	NO.	DATE	BY
DATE: 10/16/23			

REVISIONS

GENERAL NOTES:
 1) Contractor to verify all dimensions in the field. All framing will be manufactured to the dimensions indicated unless otherwise noted.
 2) Architect to review all conditions for compliance to contract documents and, if required, provide correct details and/or dimensions to ensure proper coordination.
 3) Drawings marked 'approved' or 'approved as noted' shall be interpreted as an accurate condition of job requirements and such approval shall authorize release to fabrication.
 4) Fremara shall not be responsible for any errors and/or work that occurs from the use of these drawings by other trades.