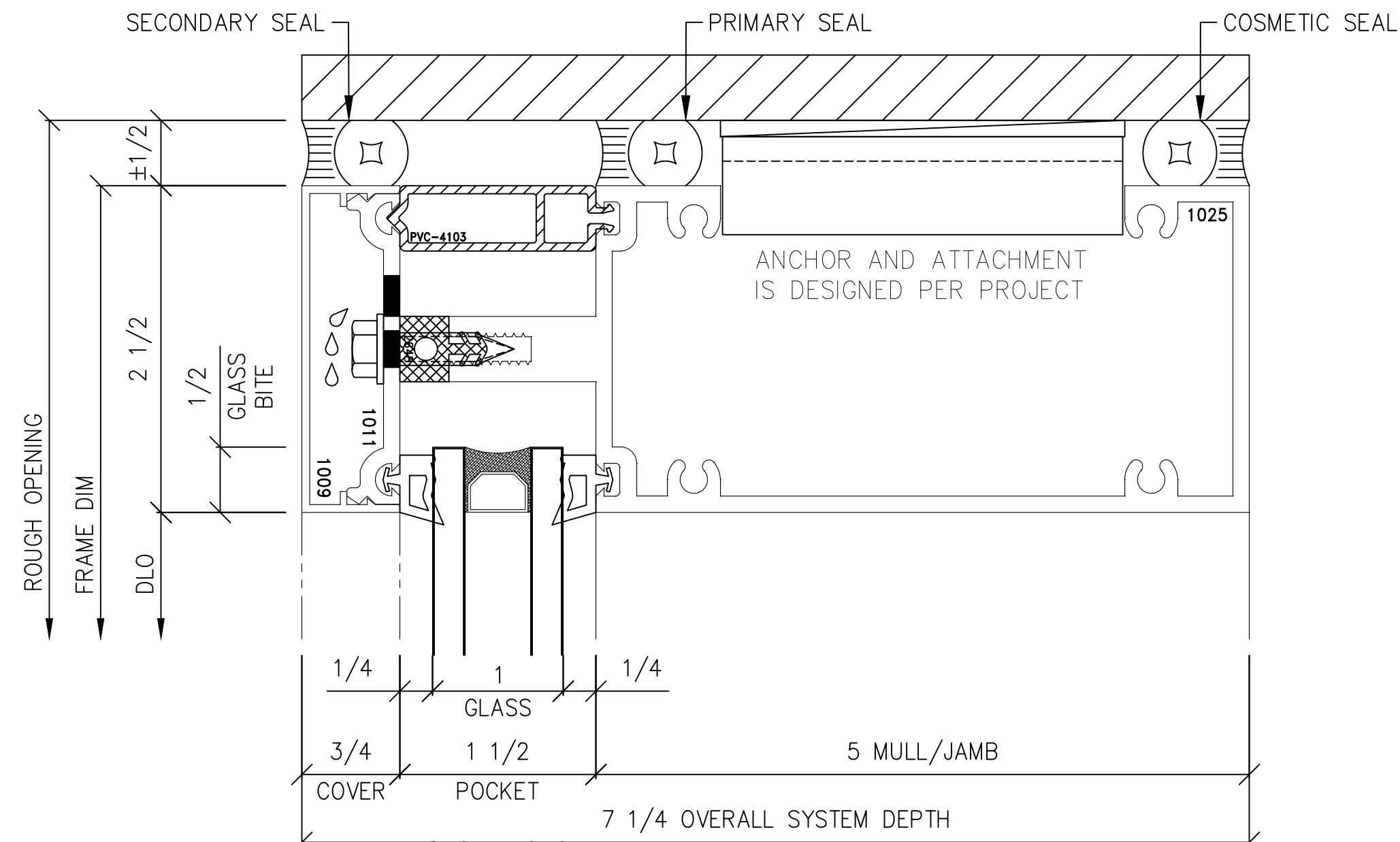


PROJECT: FM2507 WITH 1" IGU
 LOCATION:
 ARCHITECT:
 CONTRACTOR:
 JOB NUMBER
 SHEET TITLE
ELEVATION SHEET
 DRAWING SCALE
 11x17 = 6" = 1'-0"
 22x34 = 12" = 1'-0"
 DRAWING NO.
E01

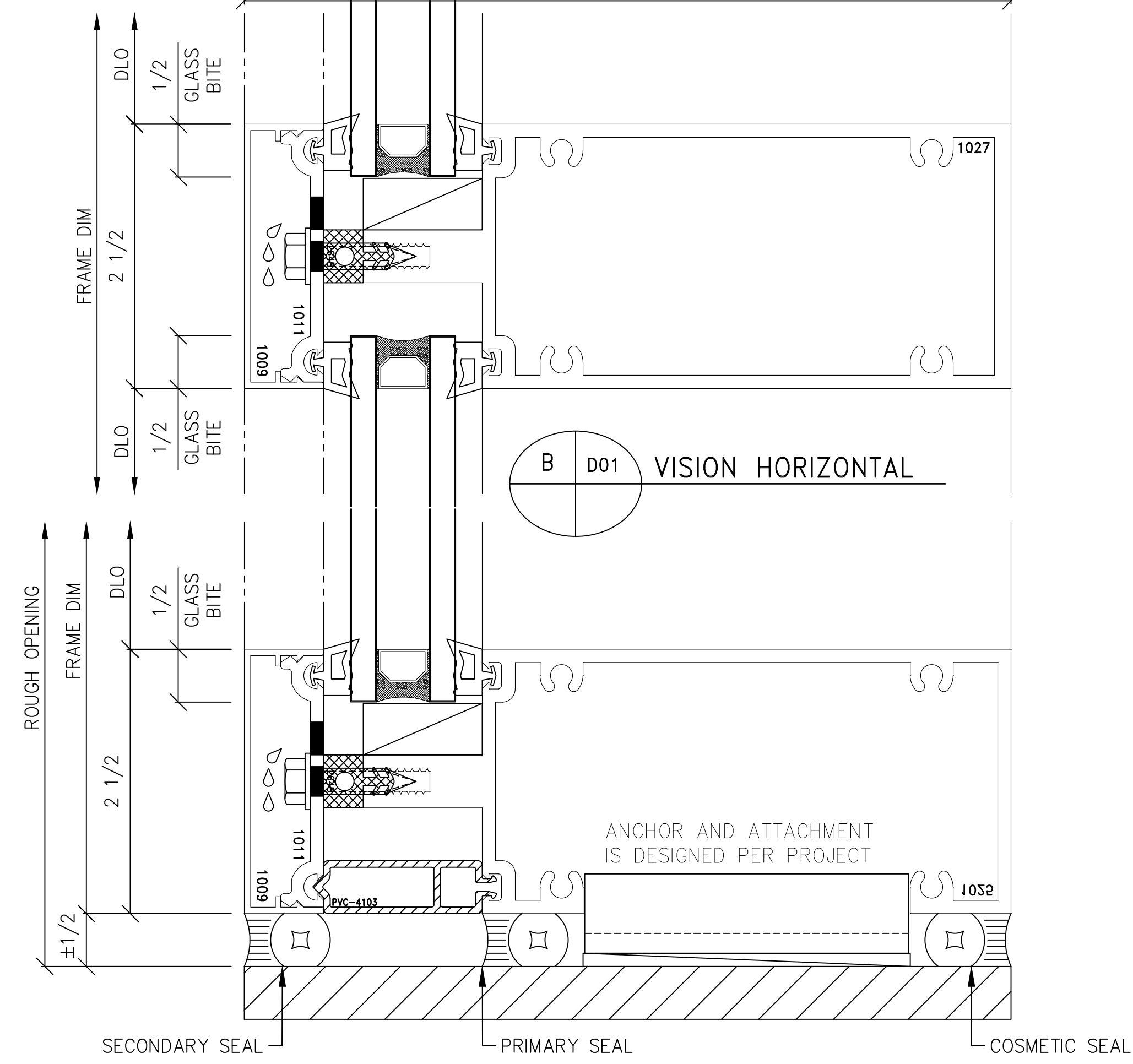
PROJECT:	FM2507 WITH 1" IGU
LOCATION:	
ARCHITECT:	
CONTRACTOR:	
DATE:	10/16/23
DRAWN BY:	TAS
NO.	
DATE	BY
REVISIONS	

GENERAL NOTES:
 1) Contractor to verify all dimensions in the field. All framing will be manufactured to the dimensions indicated unless otherwise noted.
 2) Architect to review all conditions for compliance to contract documents and, if required, provide correct details and/or dimensions to ensure proper coordination.
 3) Drawings marked 'approved' or 'approval as noted' shall be interpreted as an accurate condition of job requirements and such approval shall authorize release to fabrication.
 4) Fremara shall not be responsible for any errors and/or work that occurs from the use of these drawings by other trades.

A D01 HEAD

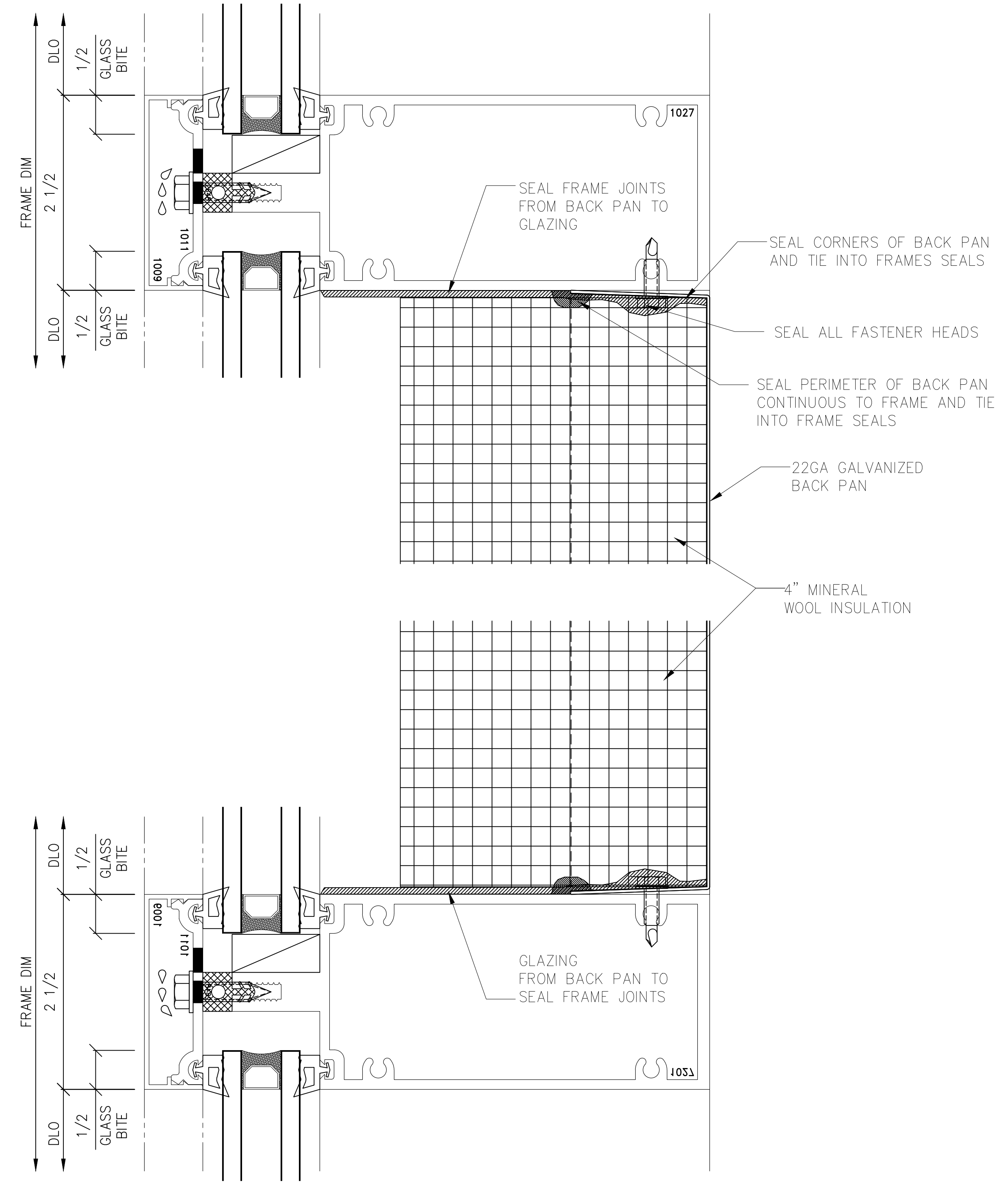


C ILL STARTER ANCHORAGE



B D01 VISION HORIZONTAL

D D01 VISION/SPANDREL HORIZONTAL



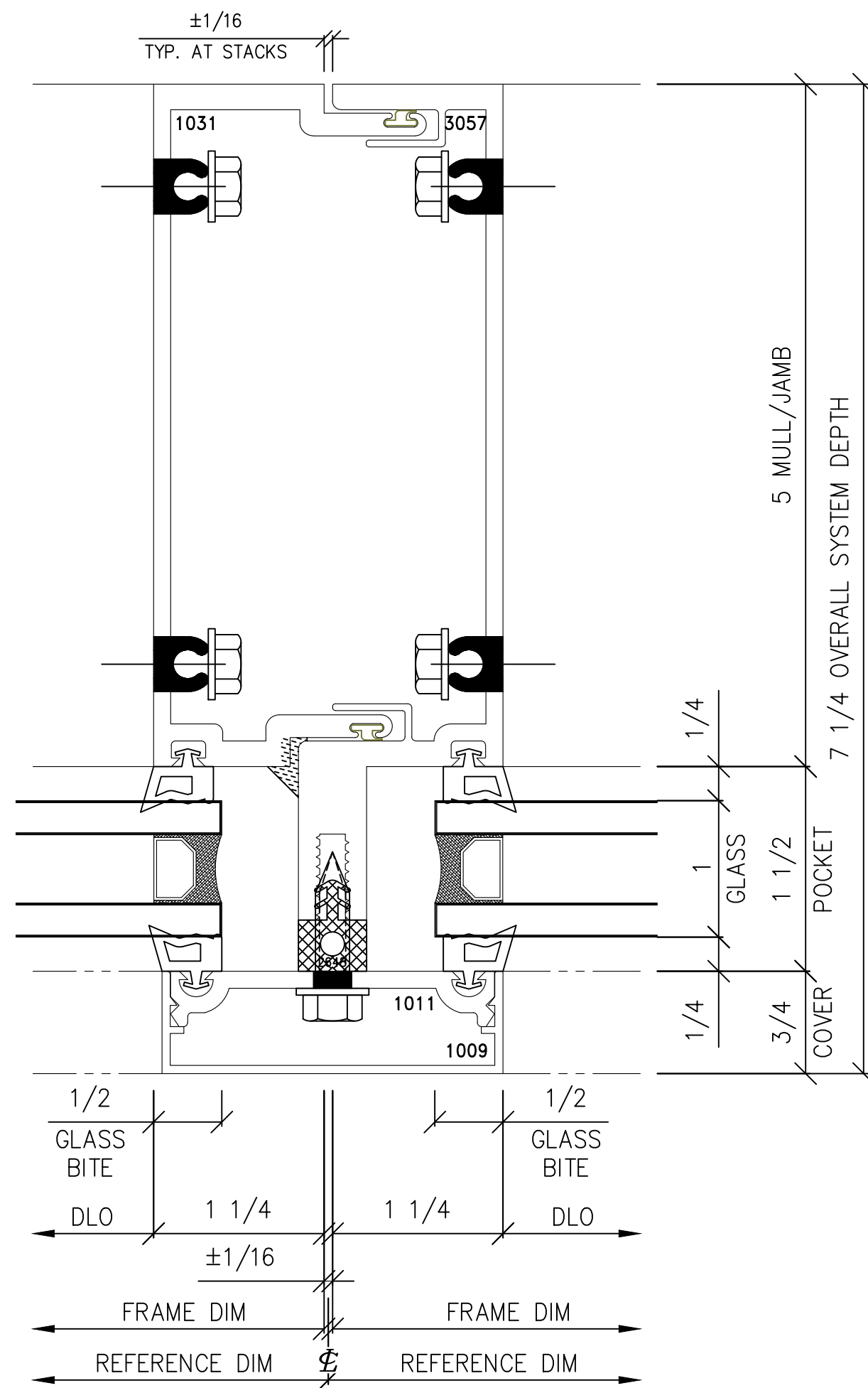
E D01 SPANDREL/VISION HORIZONTAL

PROJECT: FM2507 WITH 1" IGU		DRAWN BY: TAF	NO.	DATE	BY	REVISIONS
LOCATION:		DATE: 10/16/23	NO.	DATE	BY	REVISIONS
ARCHITECT:		GENERAL NOTES: 1) Contractor to verify all dimensions in the field. All framing will be manufactured to the dimensions indicated unless otherwise noted. 2) Architect to review all conditions for compliance to contract documents and, if required, provide correct details and/or dimensions to ensure proper coordination. 3) Drawings marked 'approved' or 'approved as noted' shall be interpreted as an accurate condition of job requirements and such approval shall authorize release to fabrication. 4) FreMaq shall not be responsible for any errors and/or work that occurs from the use of these drawings by other trades.				
CONTRACTOR:		DRAWING SCALE 11x17 = 6" = 1'-0" 22x34 = 12" = 1'-0"				
JOB NUMBER		DRAWING NO. D01				
SHEET TITLE DETAIL SHEET		1/3/2024 8:23 AM U:\SALES-MARKETING\TECHNICAL SALES LIT\FM2507 PRESSURE WALL\FM2507 WITH 1 INCH.DWG				

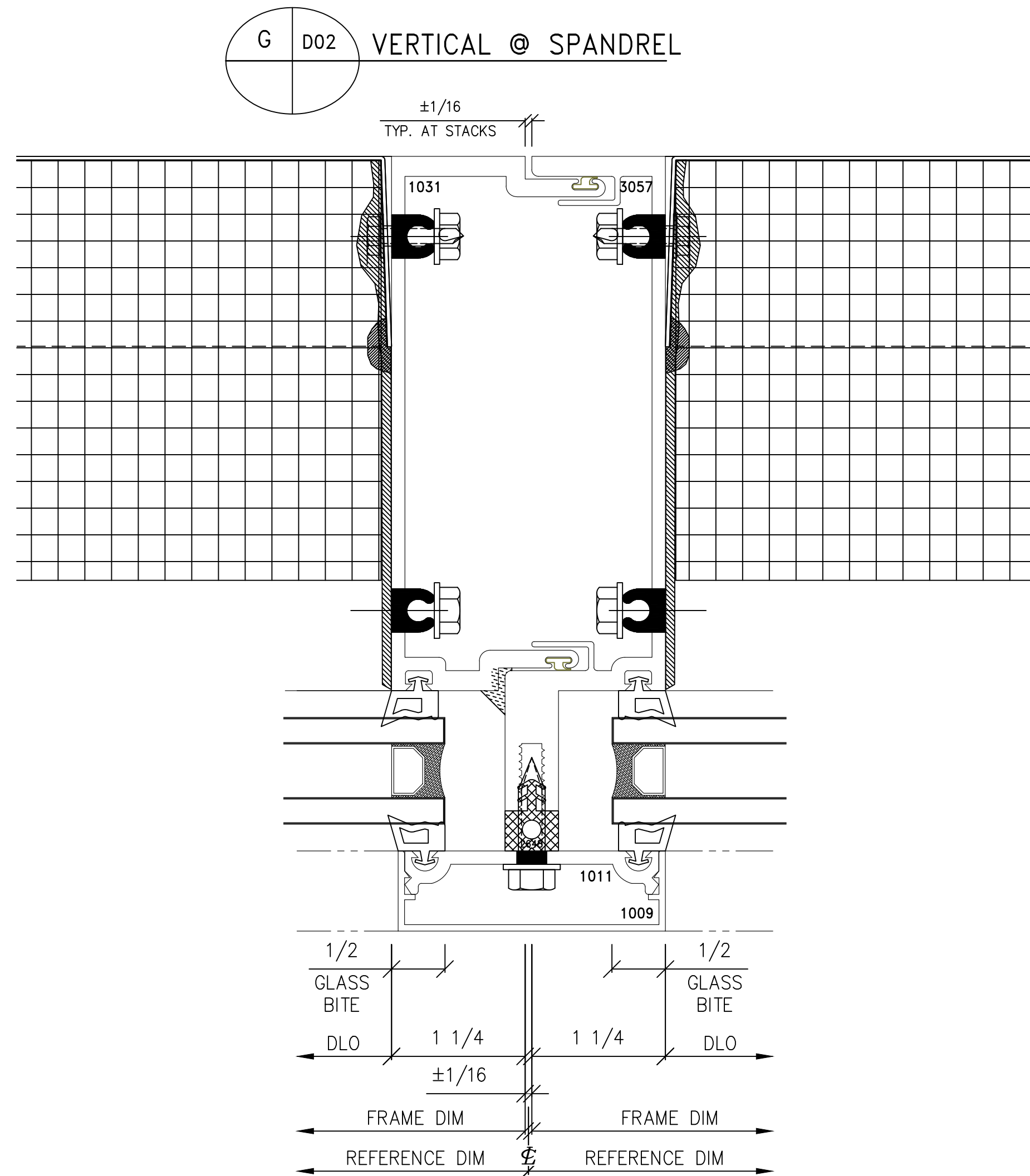
FreMaq
INNOVATIONS

1101 NORTH MILL STREET
MERRILL, WISCONSIN 54452
WWW.FREMARQINNOVATIONS.COM

PE: (715) 842-6842

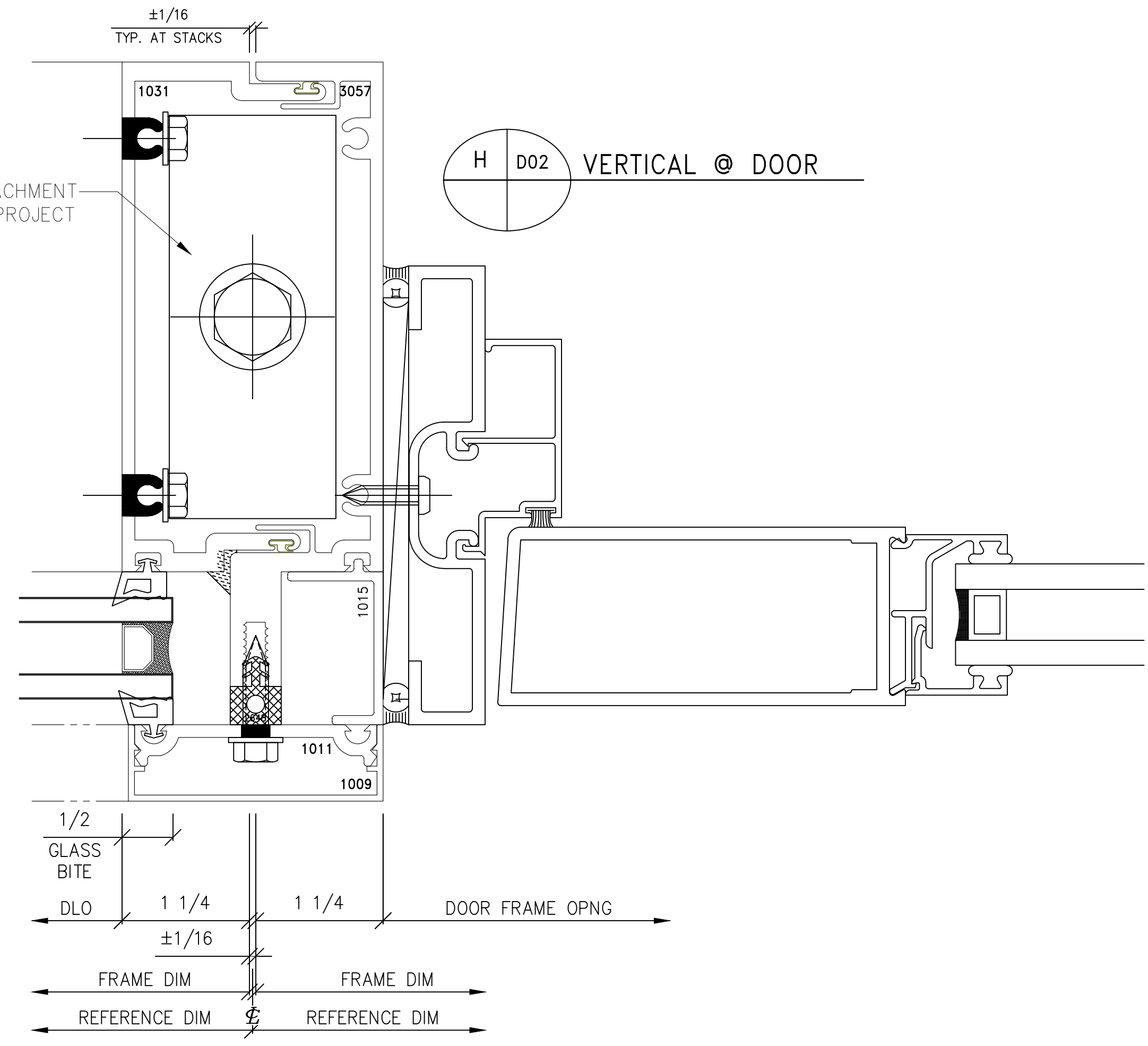


F D02 VERTICAL STACK



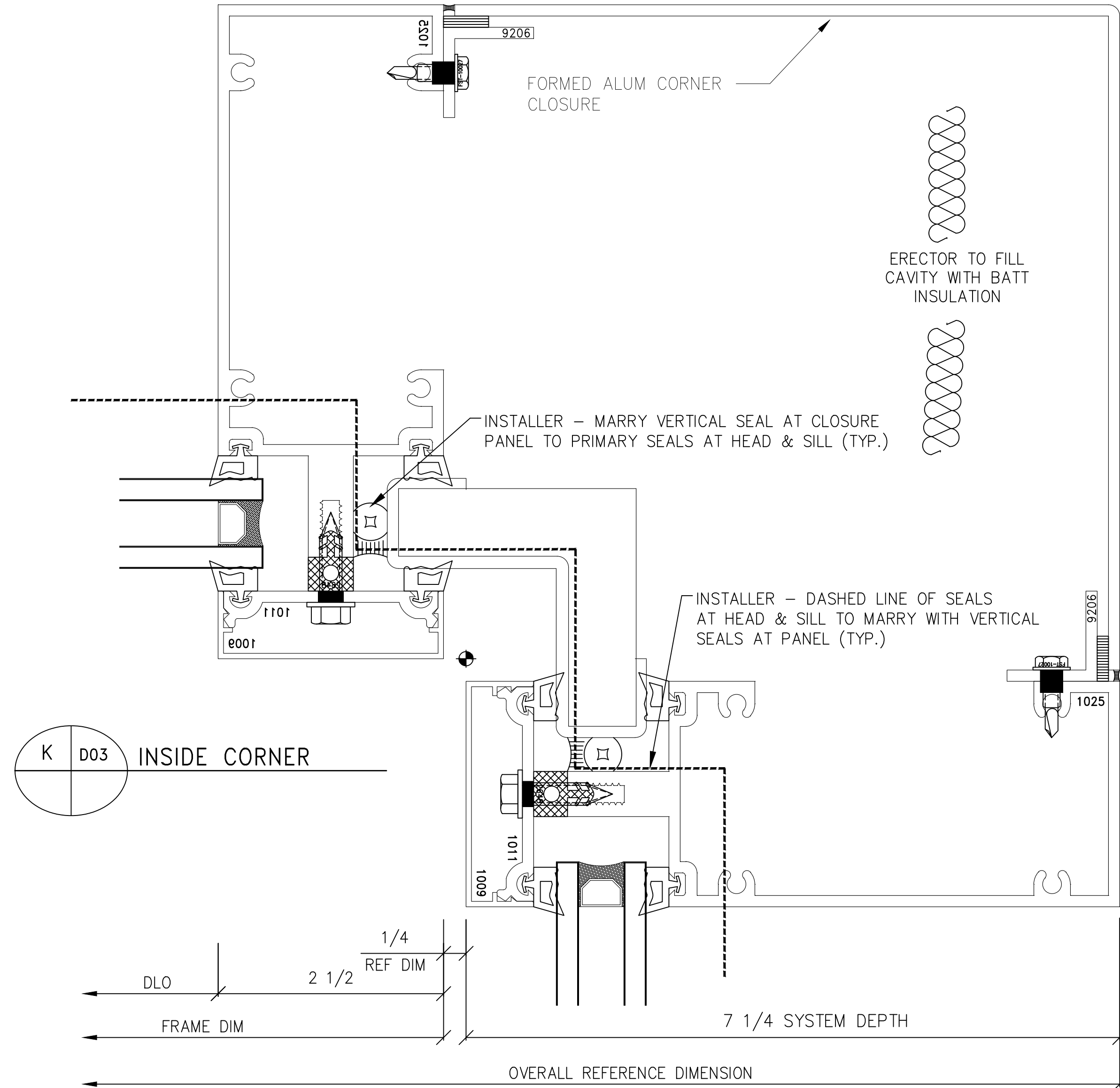
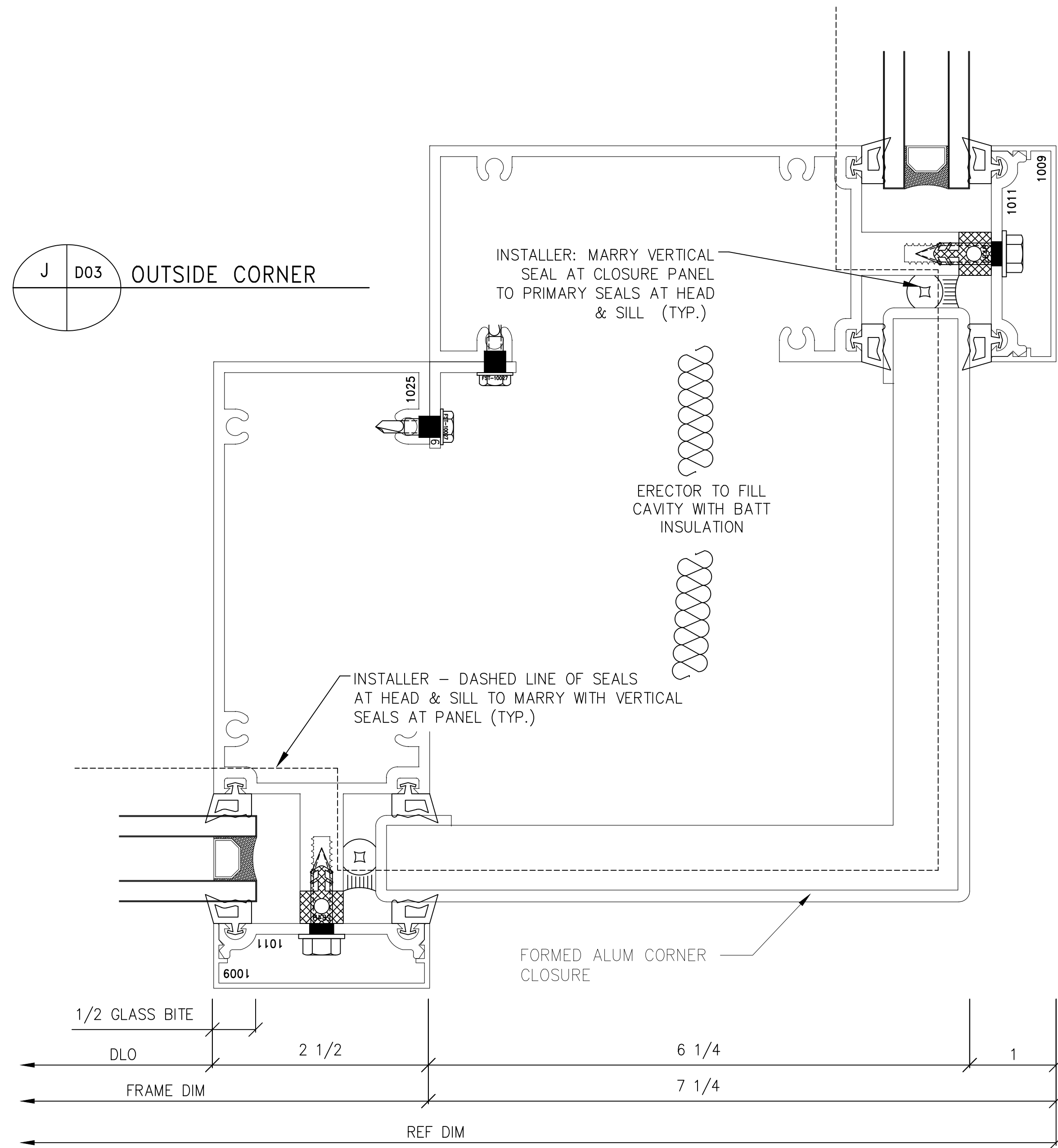
G D02 VERTICAL @ SPANDREL

ANCHOR AND ATTACHMENT IS DESIGNED PER PROJECT



H D02 VERTICAL @ DOOR

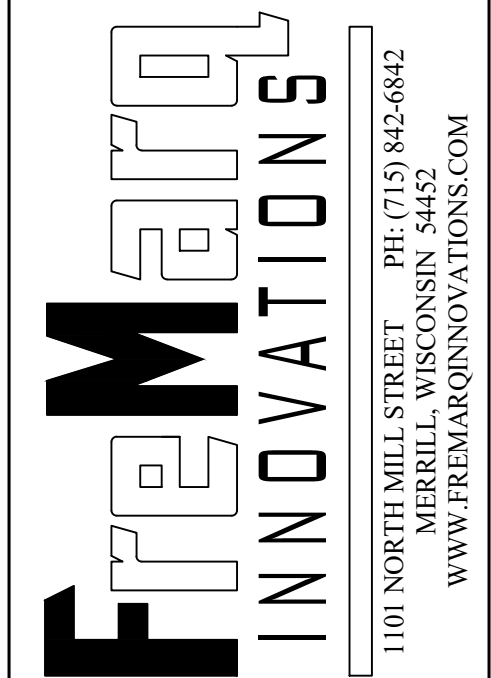
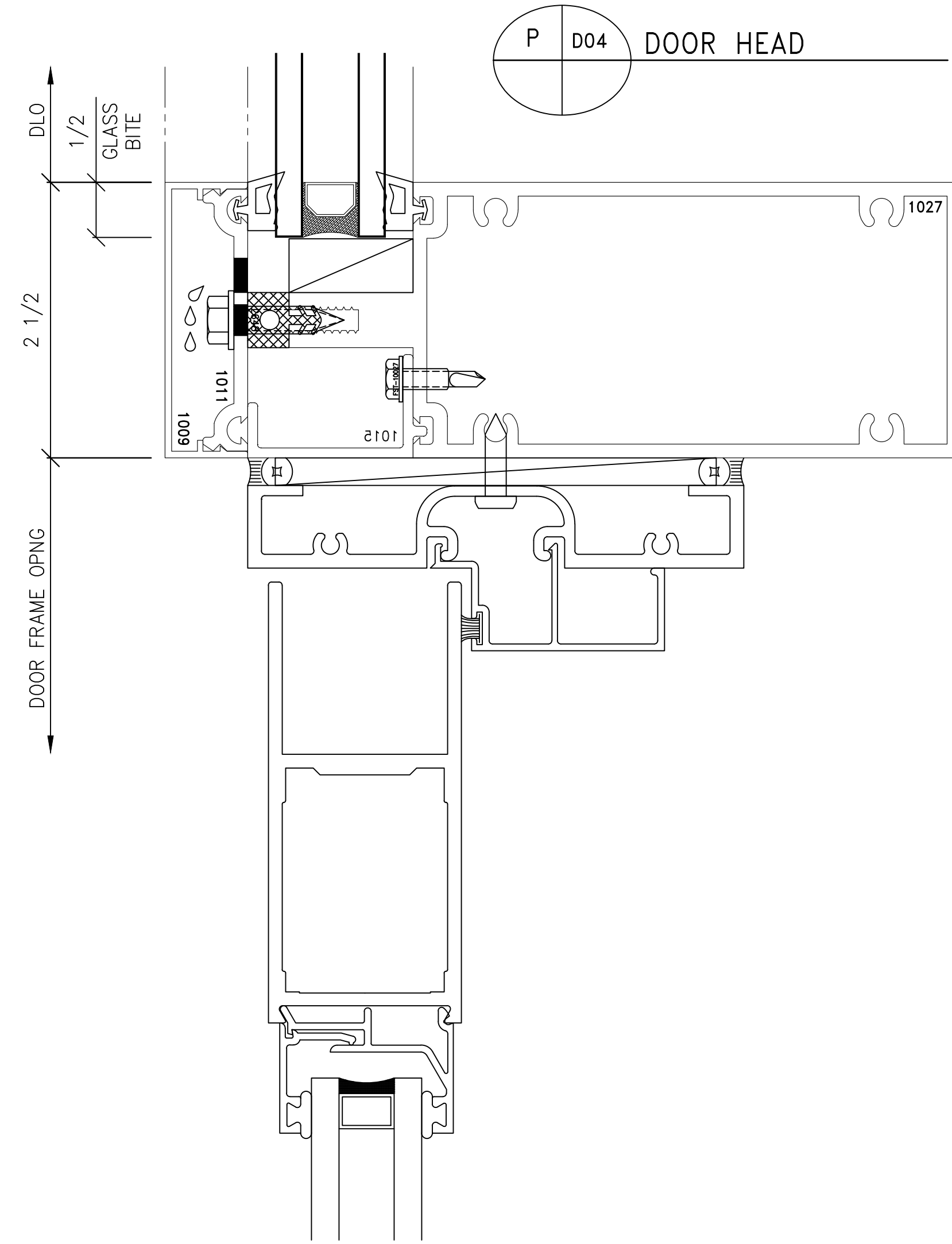
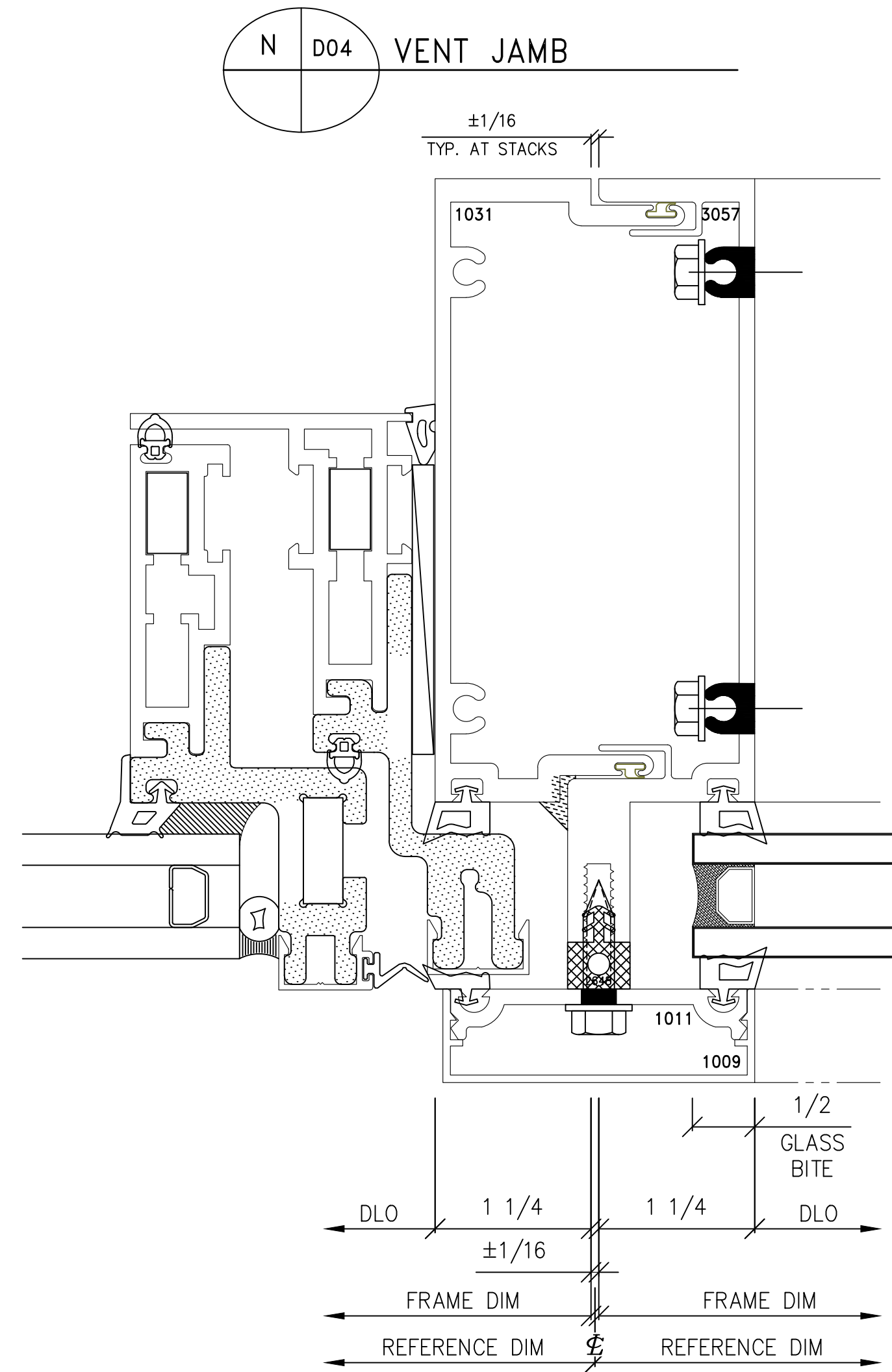
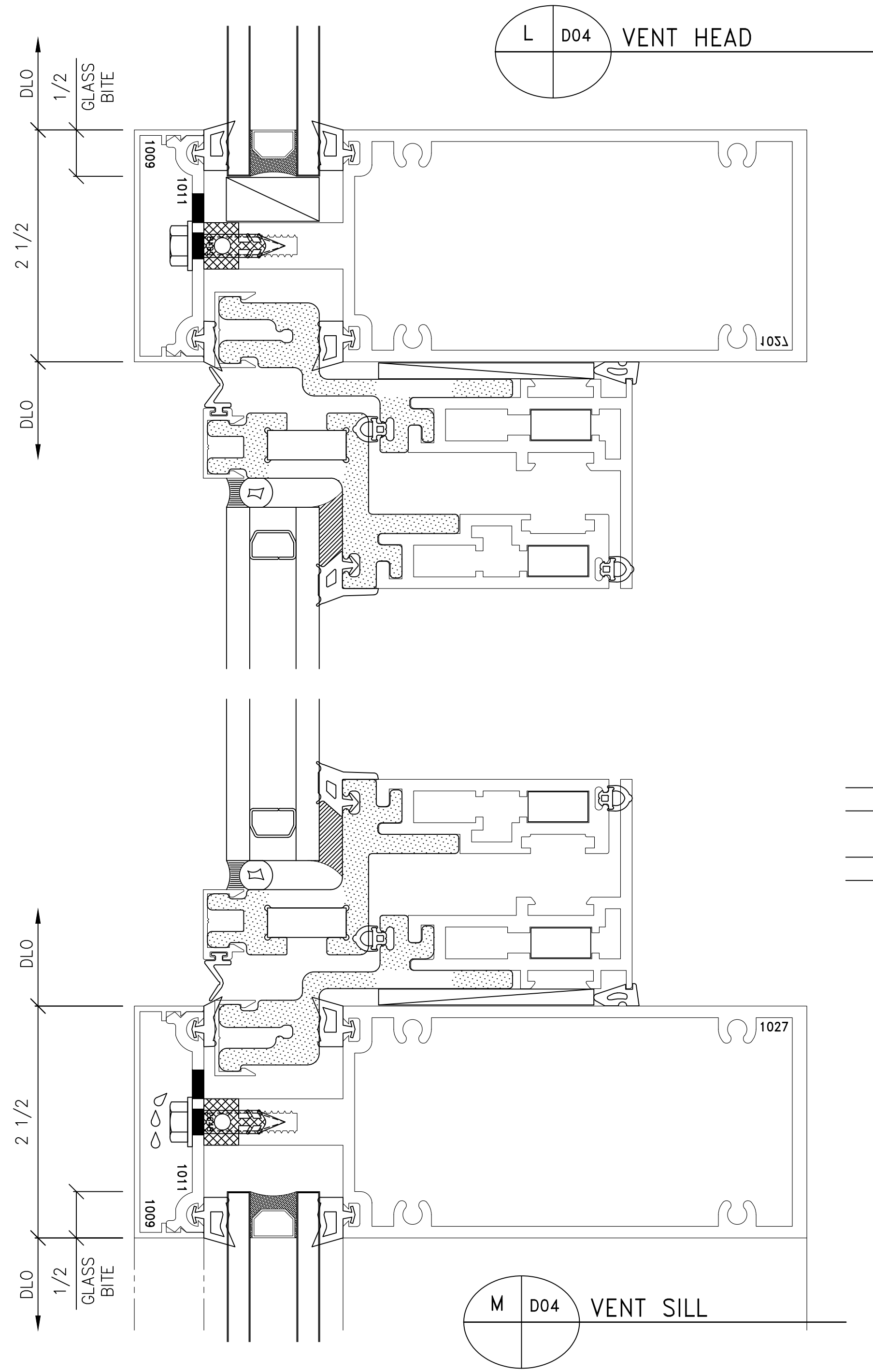
PROJECT:	FM2507 WITH 1" IGU			
	LOCATION:	ARCHITECT:	CONTRACTOR:	
DRAWN BY:	TAF	NO.	DATE	BY
DATE:	10/16/23			
GENERAL NOTES: 1) Contractor to verify all dimensions in the field. All framing will be manufactured to the dimensions indicated unless otherwise noted. 2) Architect to review all conditions for compliance to contract documents and, if required, provide correct details and/or dimensions to ensure proper coordination. 3) Drawings marked "approved" or "approved as noted" shall be interpreted as an accurate condition of job requirements and such approval shall authorize release to fabrication. 4) Fremaraq shall not be responsible for any errors and/or work that occurs from the use of these drawings by other trades.				
Fremaraq INNOVATIONS 1101 NORTH MILL STREET MERRILL, WISCONSIN 54452 WWW.FREMARQINNOVATIONS.COM		JOB NUMBER SHEET TITLE DETAIL SHEET DRAWING SCALE 11x17 = 6" = 1'-0" 22x34 = 12" = 1'-0" DRAWING NO. D02		



J D03 OUTSIDE CORNER

K D03 INSIDE CORNER

PROJECT: FM2507 WITH 1" IGU		DRAWN BY: TAF	NO.	DATE	BY	REVISIONS
LOCATION:		DATE: 10/16/23	NO.	DATE	BY	REVISIONS
ARCHITECT:		GENERAL NOTES: 1) Contractor to verify all dimensions in the field. All framing will be manufactured to the dimensions indicated unless otherwise noted. 2) Architect to review all conditions for compliance to contract documents and, if required, provide correct details and/or dimensions to ensure proper coordination. 3) Drawings marked 'approved' or 'approved as noted' shall be interpreted as an accurate condition of job requirements and such approval shall authorize release to fabrication. 4) Fremara shall not be responsible for any errors and/or work that occurs from the use of these drawings by other trades.				
CONTRACTOR:						
1101 NORTH MILL STREET PH: (715) 842-6842 MERRILL, WISCONSIN 54452 WWW.FREMARAINNOVATIONS.COM						
JOB NUMBER						
SHEET TITLE DETAIL SHEET						
DRAWING SCALE 11x17 = 6" = 1'-0" 22x34 = 12" = 1'-0"						
DRAWING NO. D03						



PROJECT: **FM2507 WITH 1" IGU**

LOCATION:

ARCHITECT:

CONTRACTOR:

DRAWN BY: TAF

DATE: 10/16/23

NO. DATE BY

REVISIONS

JOB NUMBER

SHEET TITLE
DETAIL SHEET

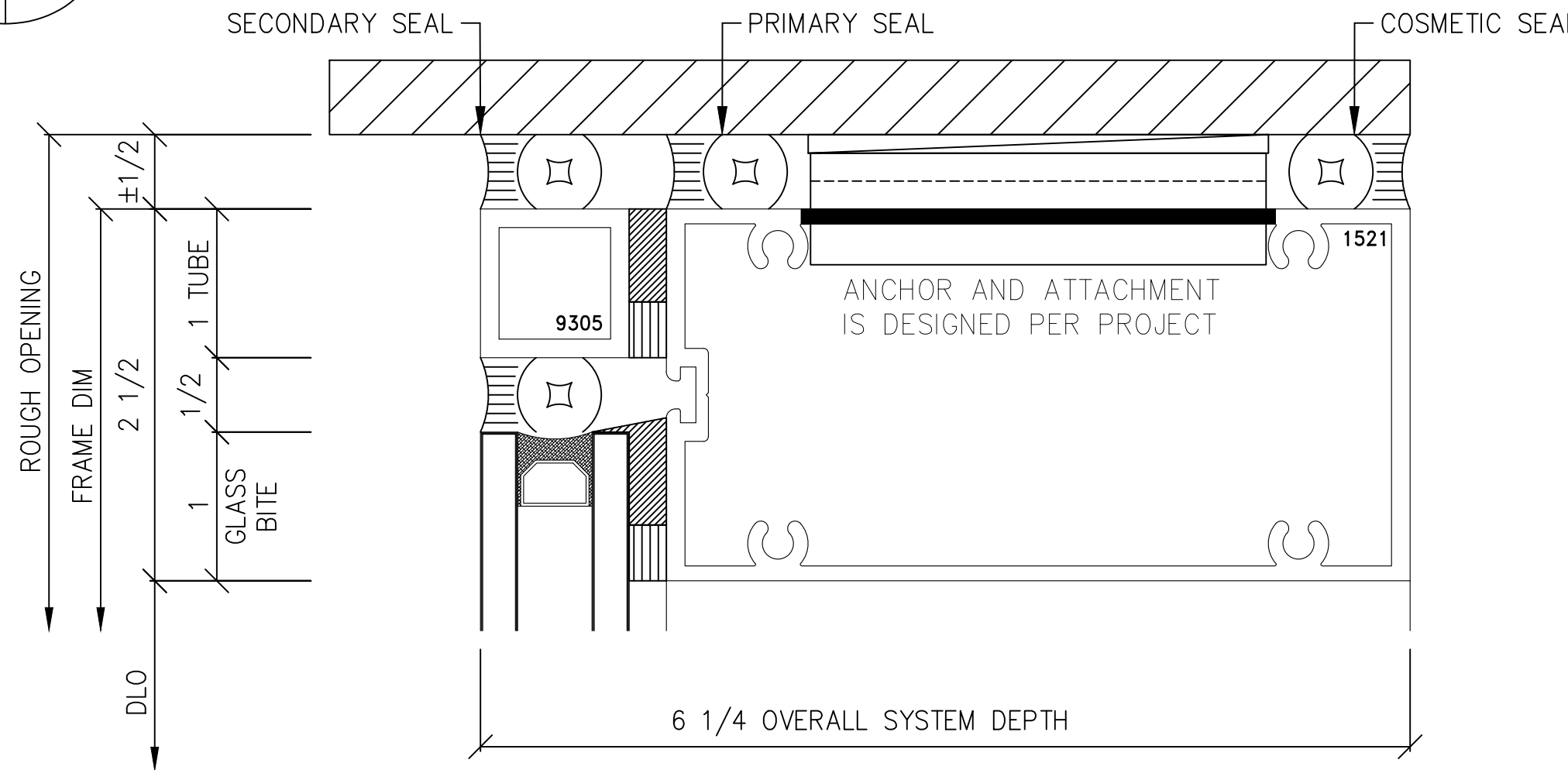
DRAWING SCALE
11x17 = 6" = 1'-0"
22x34 = 12" = 1'-0"

DRAWING NO.
D04

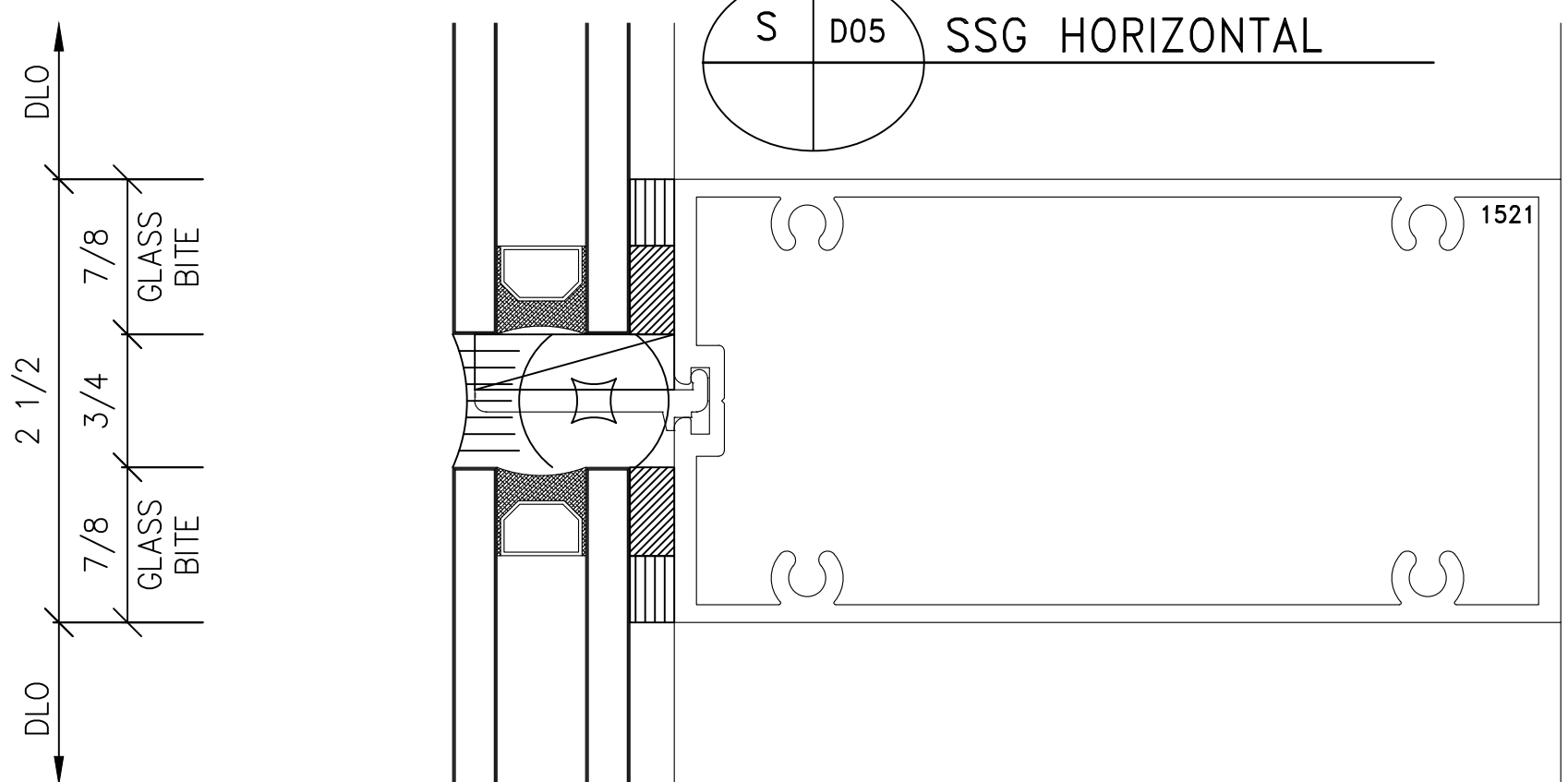
GENERAL NOTES:

- 1) Contractor to verify all dimensions in the field. All framing will be manufactured to the dimensions indicated unless otherwise noted.
- 2) Architect to review all conditions for compliance to contract documents and, if required, provide correct details and/or dimensions to ensure proper coordination.
- 3) Drawings marked "approved" or "approved as noted" shall be interpreted as an accurate condition of job requirements and such approval shall authorize release to fabrication.
- 4) Fremara shall not be responsible for any errors and/or work that occurs from the use of these drawings by other trades.

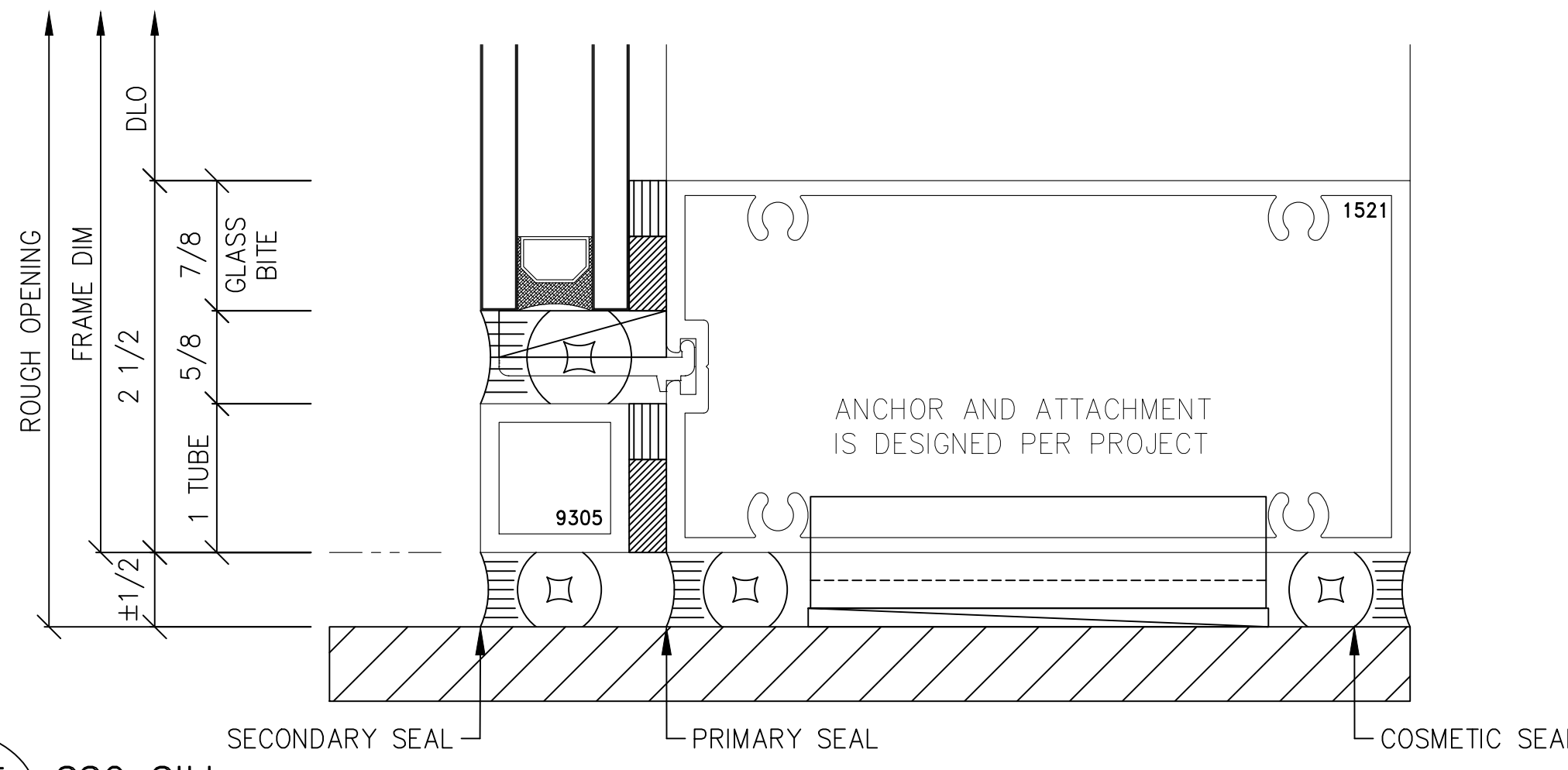
R D05 SSG HEAD



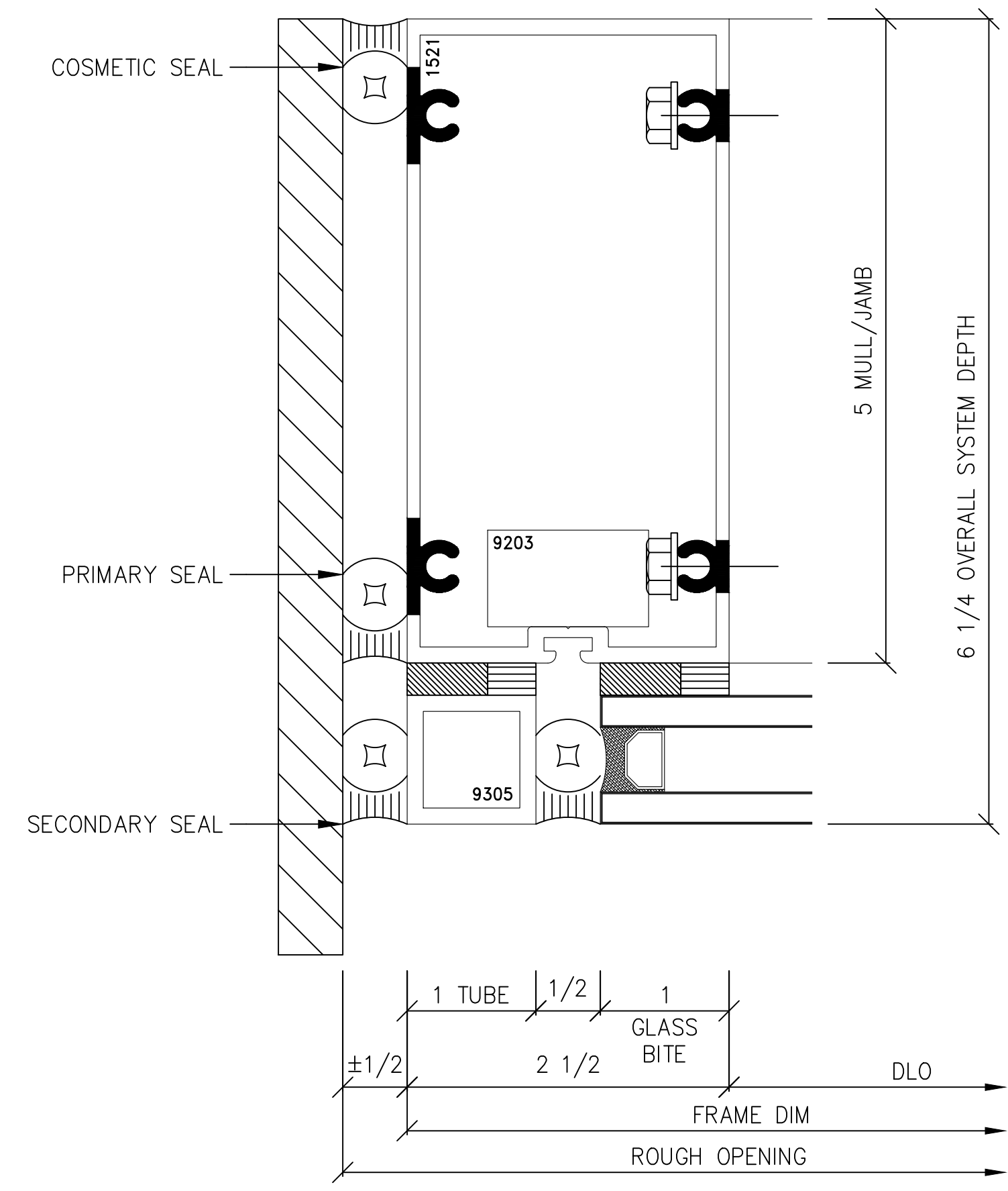
S D05 SSG HORIZONTAL



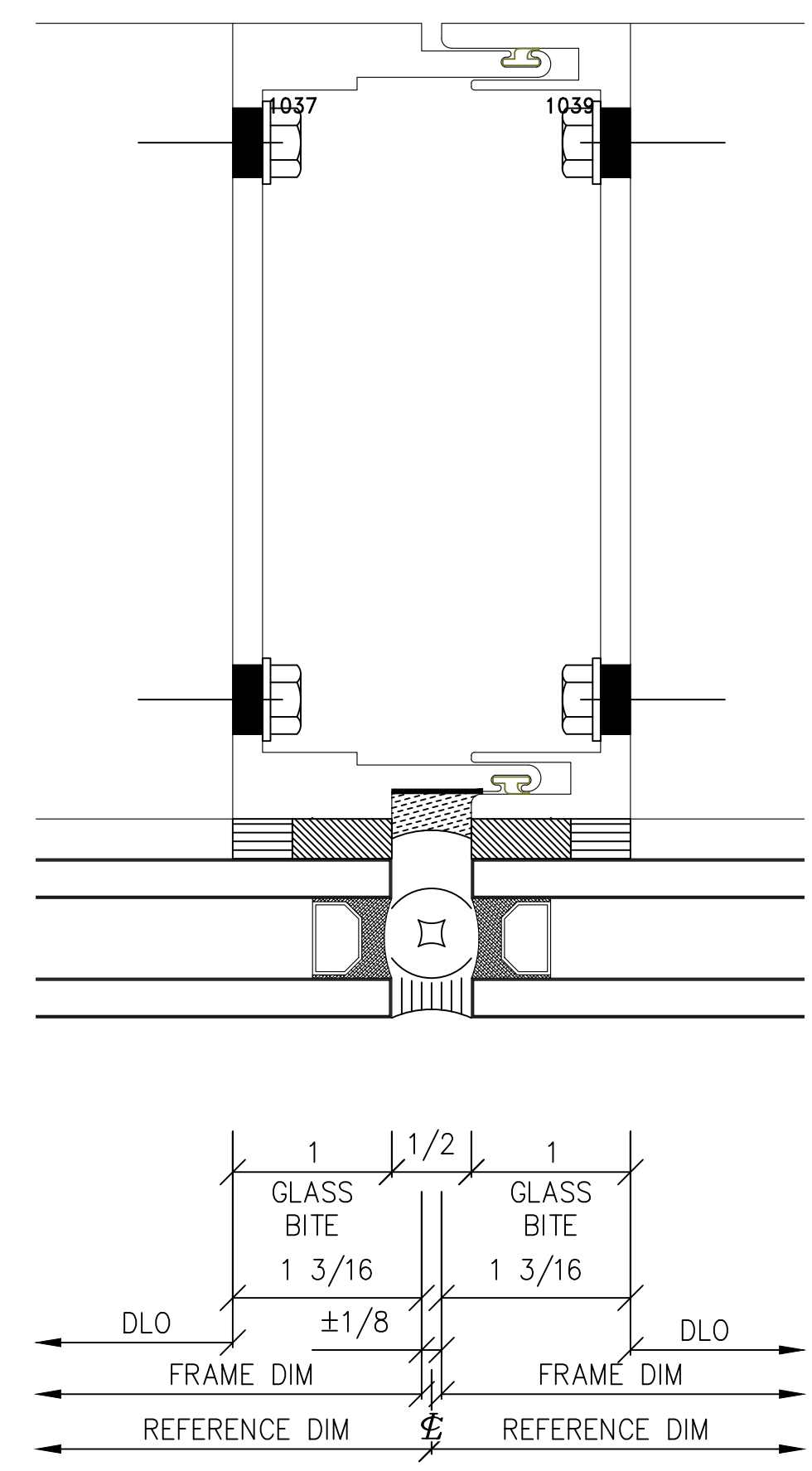
T D05 SSG SILL



U D05 SSG JAMB



W D05 SSG VERTICAL



PROJECT: FM2507 WITH 1" IGU

LOCATION:
ARCHITECT:
CONTRACTOR:

Fremara
INNOVATIONS
1101 NORTH MILL STREET
MERRILL, WISCONSIN 54452
WWW.FREMARAINNOVATIONS.COM

JOB NUMBER
SHEET TITLE
DETAIL SHEET
DRAWING SCALE
11x17 = 6" = 1'-0"
22x34 = 12" = 1'-0"
DRAWING NO.
D05

DRAWN BY: TAF
DATE: 10/16/23
NO. BY REVISIONS

GENERAL NOTES:
1) Contractor to verify all dimensions in the field. All framing will be manufactured to the dimensions indicated unless otherwise noted.
2) Architect to review all conditions for compliance to contract documents and, if required, provide correct details and/or dimensions to ensure proper coordination.
3) Drawings marked 'approved' or 'approved as noted' shall be interpreted as an accurate condition of job requirements and such approval shall authorize release to fabrication.
4) Fremara shall not be responsible for any errors and/or work that occurs from the use of these drawings by other trades.