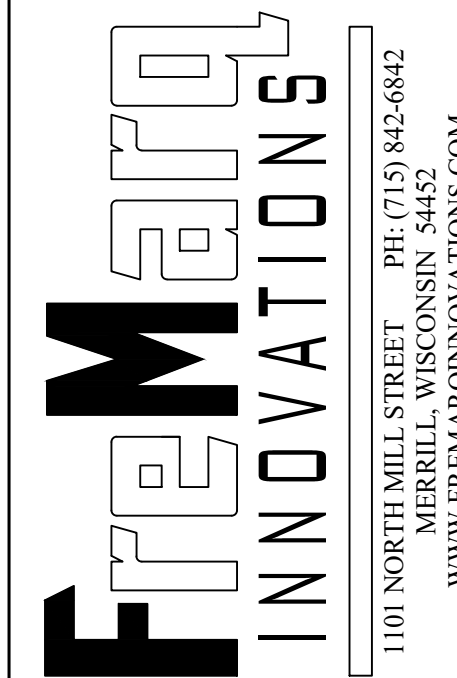


PROJECT: FM2506 WITH 1" IGU

LOCATION:
ARCHITECT:
CONTRACTOR:

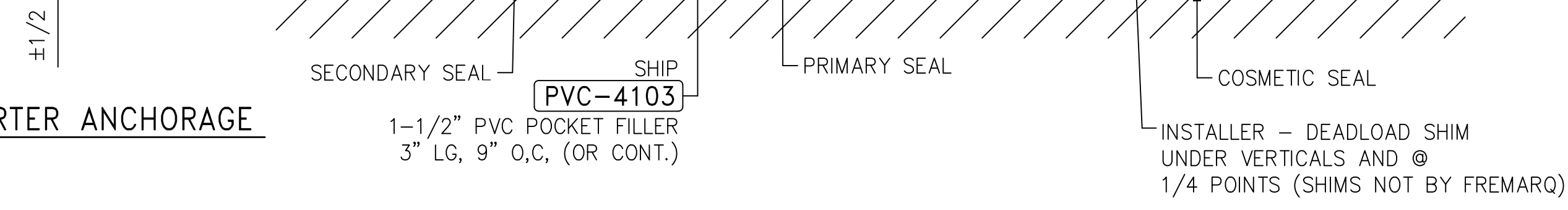
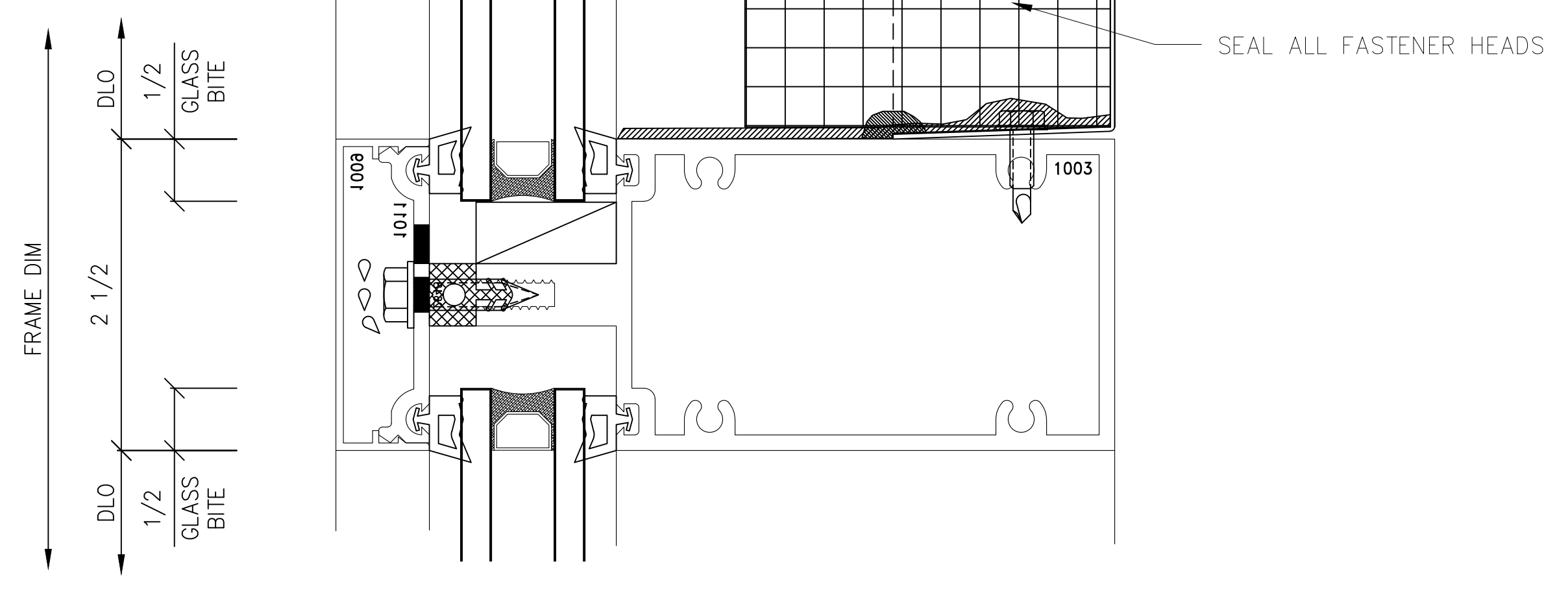
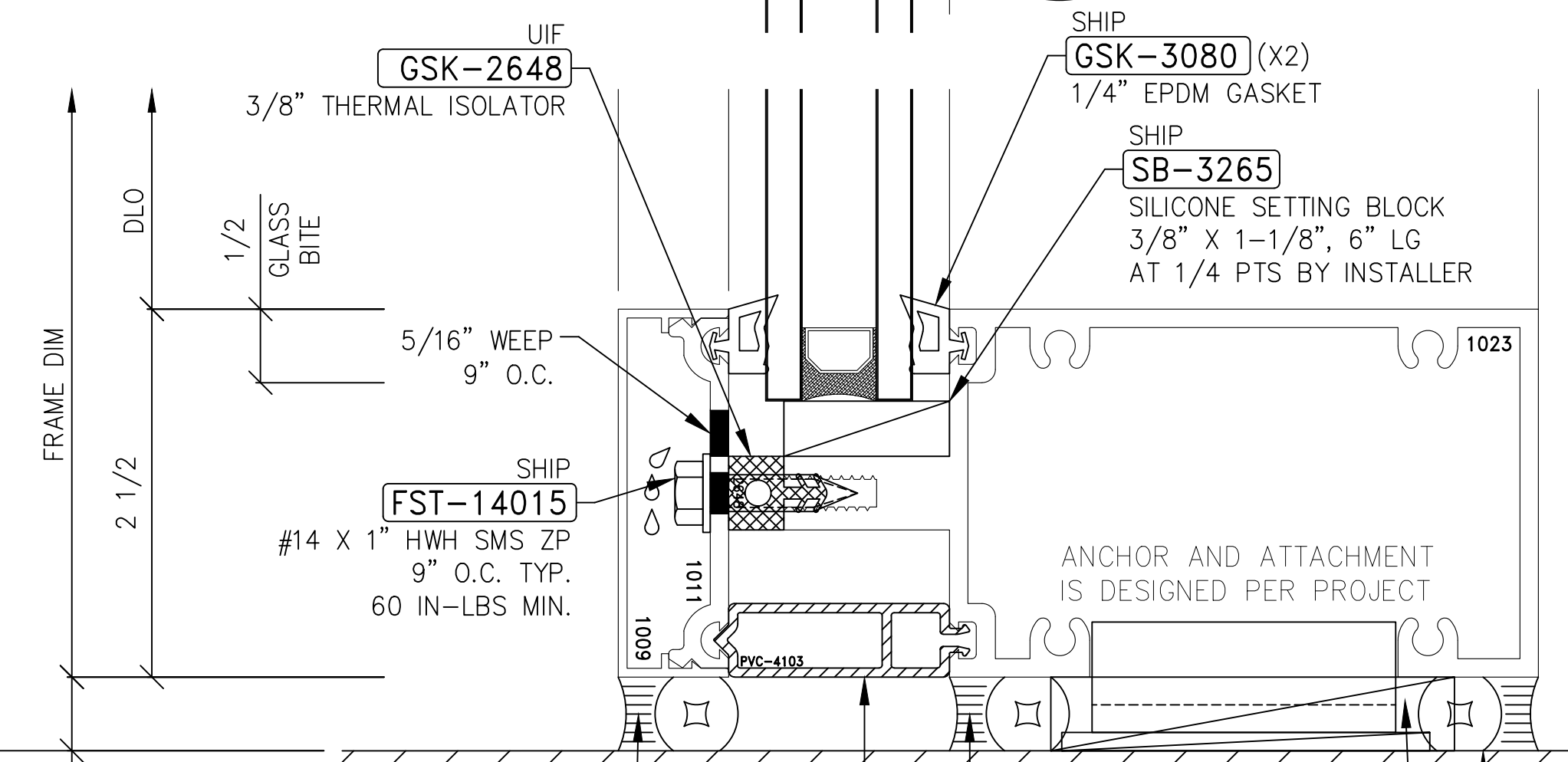
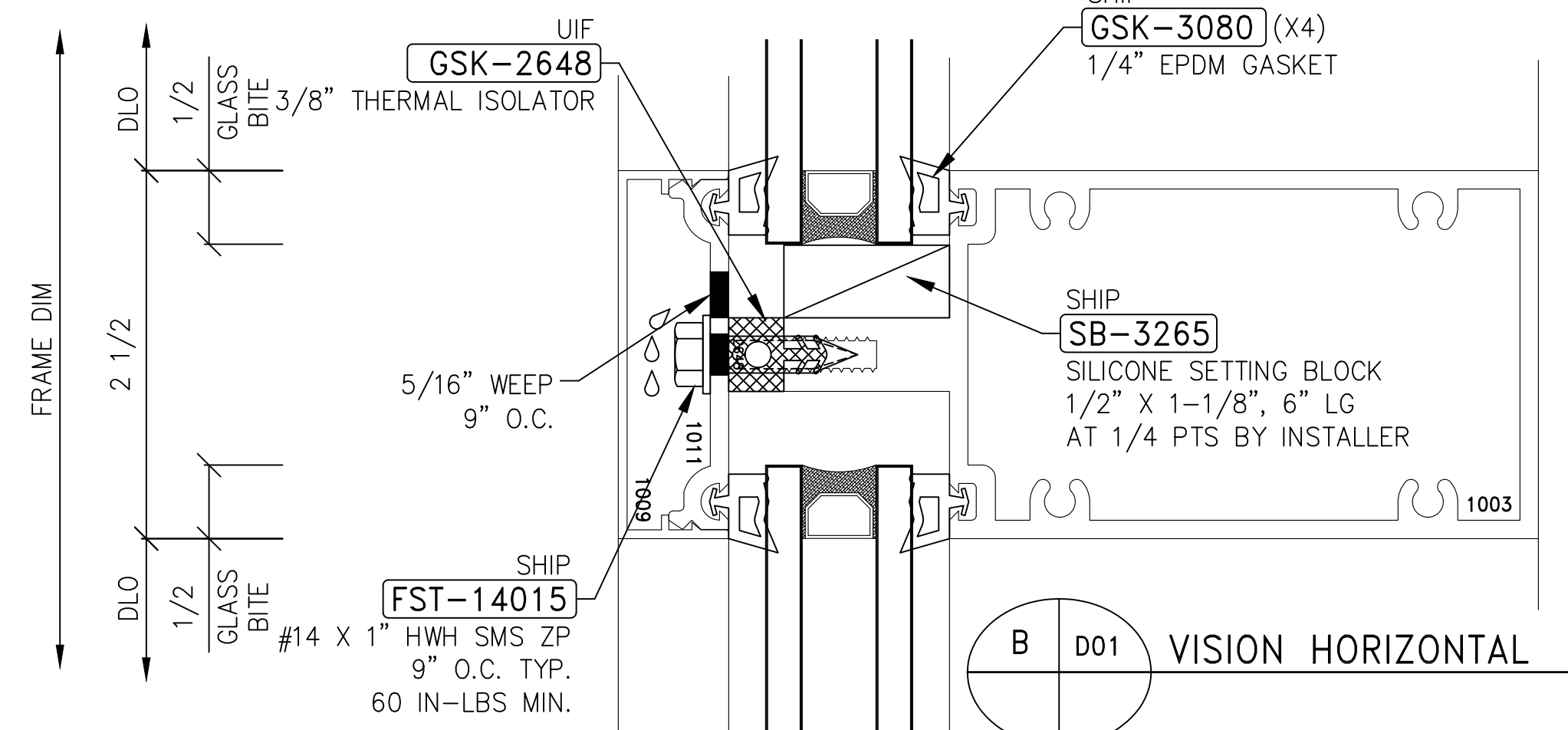
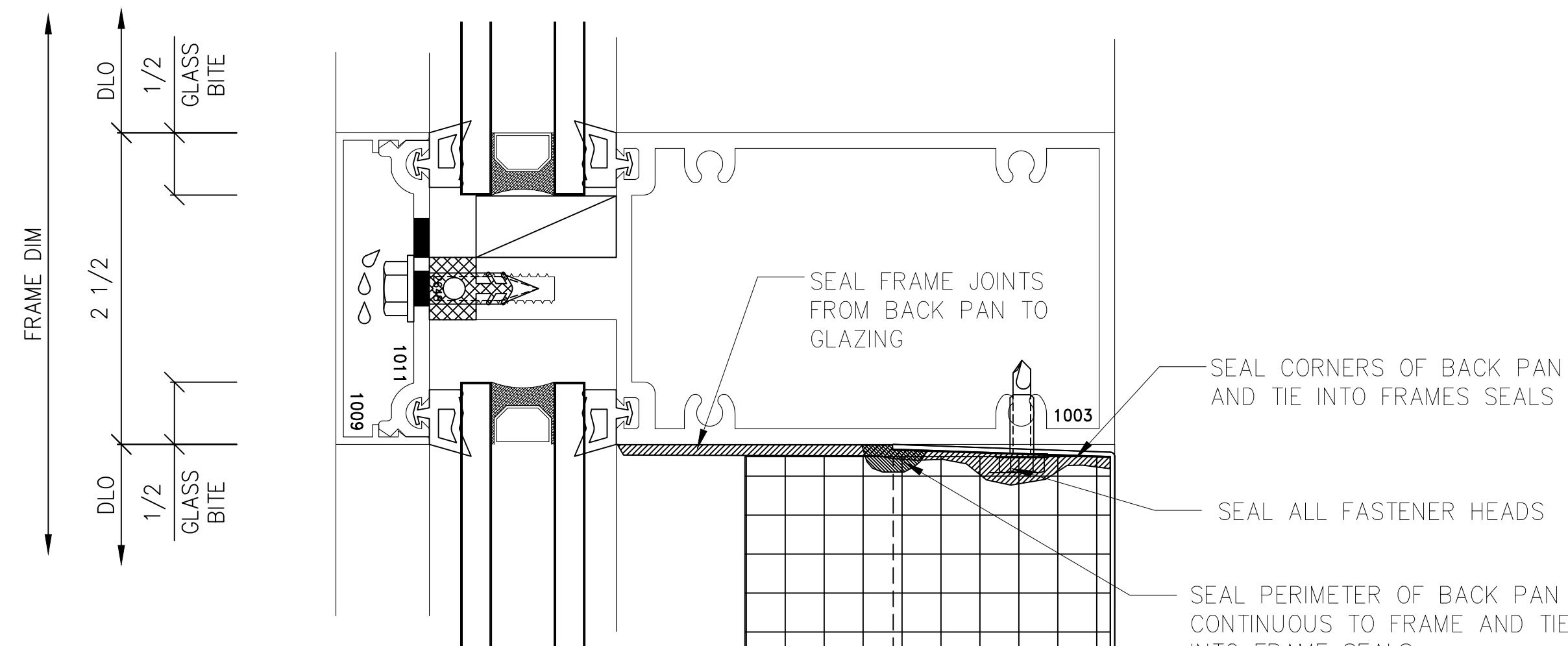
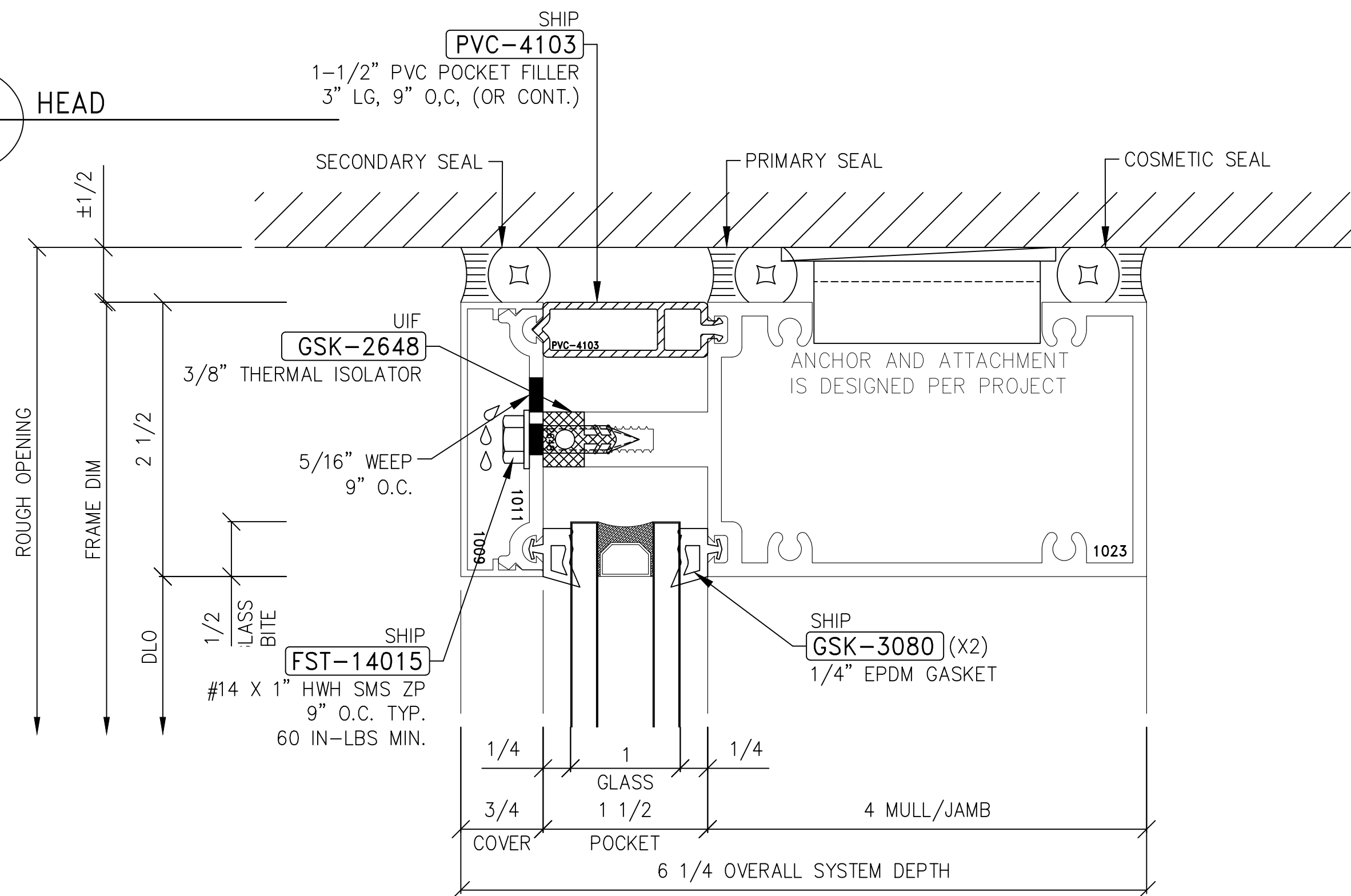
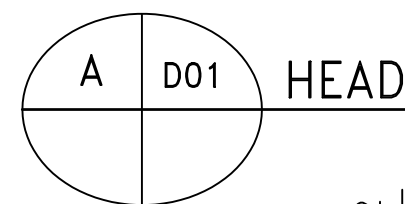


JOB NUMBER
SHEET TITLE
ELEVATION SHEET
DRAWING SCALE
11x17 = 6" = 1'-0"
22x34 = 12" = 1'-0"
DRAWING NO.
E01

DRAWN BY: TAS
DATE: 10/16/23

NO.	DATE	BY	REVISIONS

GENERAL NOTES:
 1) Contractor to verify all dimensions in the field. All framing will be manufactured to the dimensions indicated unless otherwise noted.
 2) Architect to review all conditions for compliance to contract documents and, if required, provide correct details and/or dimensions to ensure proper coordination.
 3) Drawings marked 'approved' or 'approval as noted' shall be interpreted as an accurate condition of job requirements and such approval shall authorize release to fabrication.
 4) Fremara shall not be responsible for any errors and/or work that occurs from the use of these drawings by other trades.



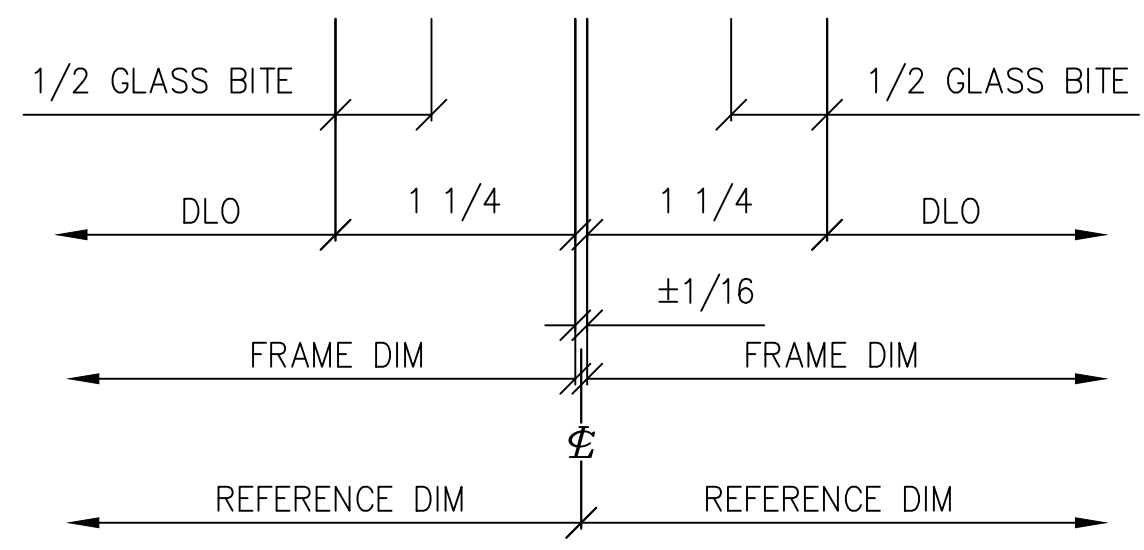
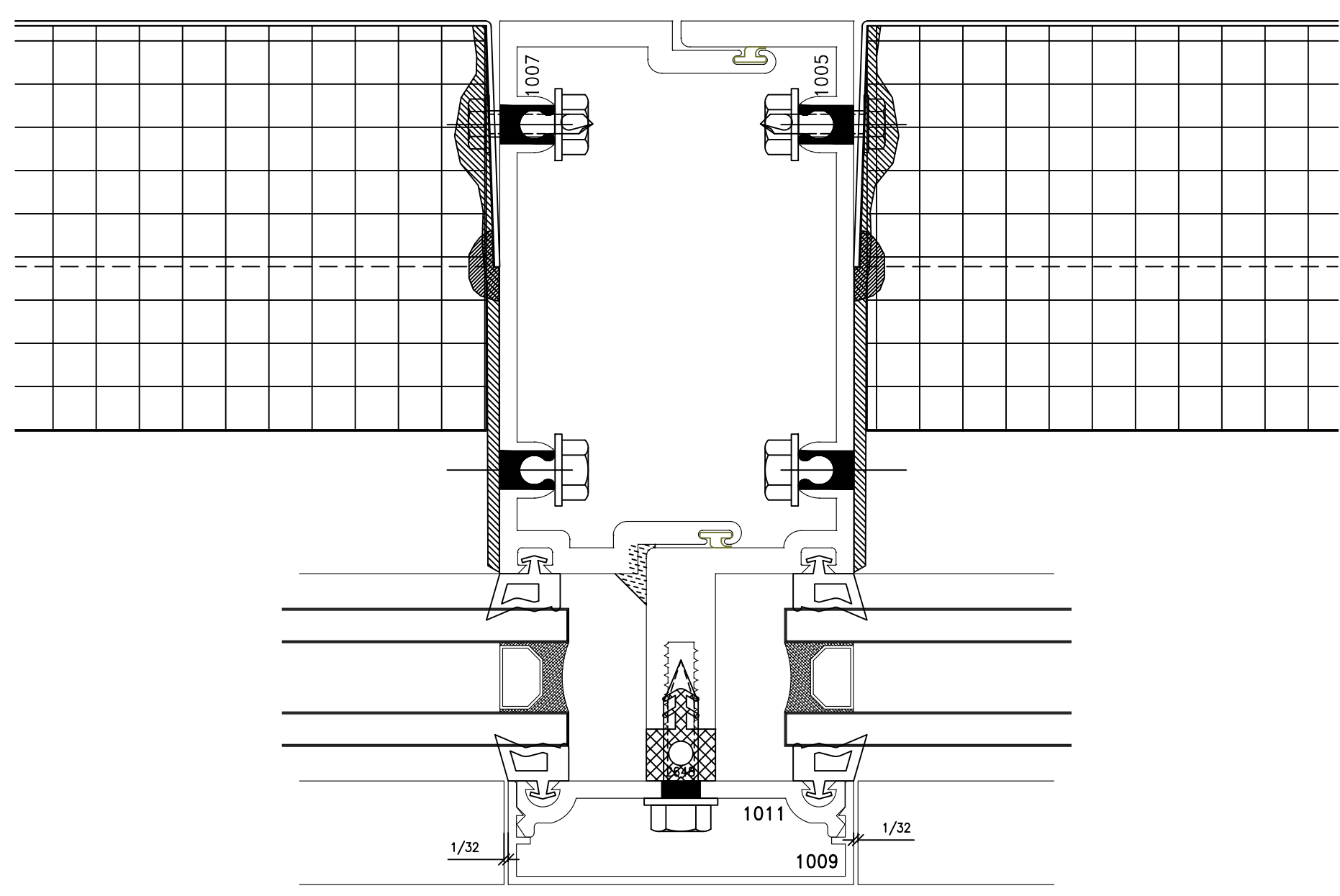
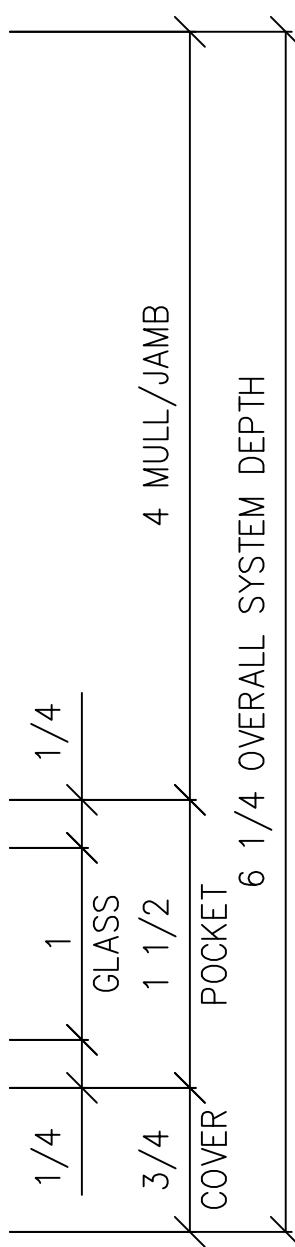
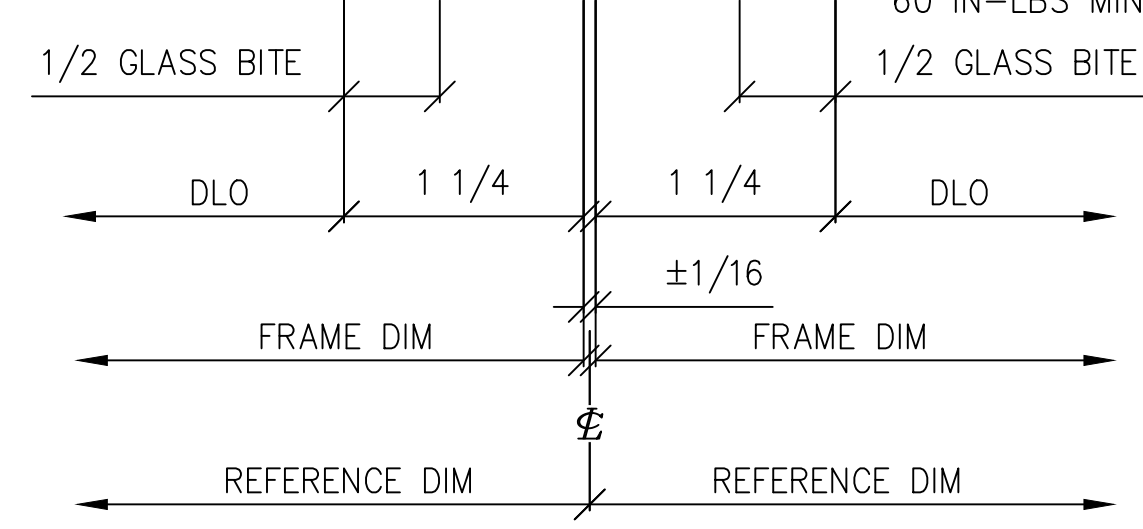
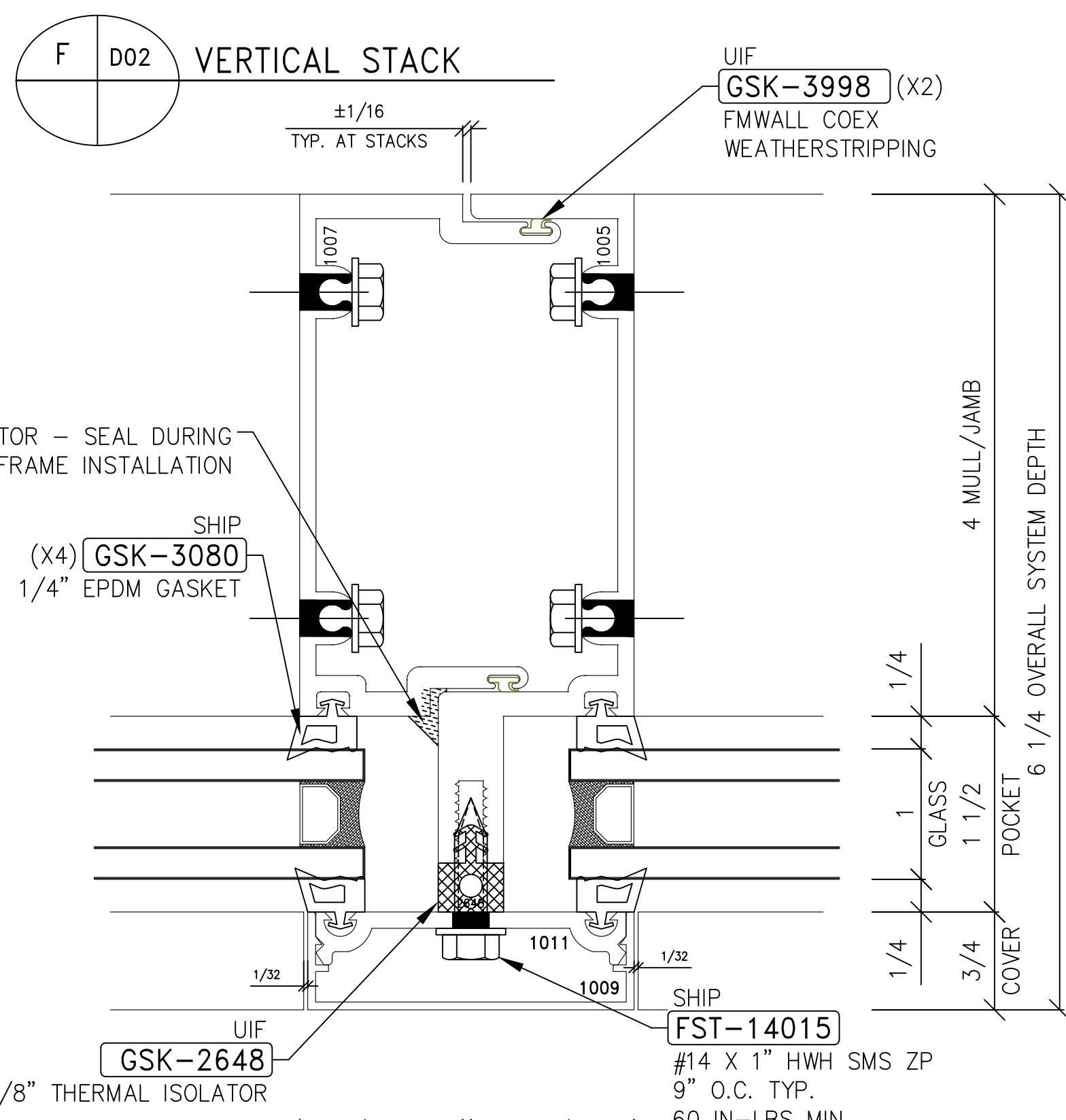
REVISIONS	NO.	DATE	BY

PROJECT:	FM2506 WITH 1" IGU
LOCATION:	
ARCHITECT:	
CONTRACTOR:	
DRAWN BY:	TAF
DATE:	10/16/23

Fremarq INNOVATIONS
 1101 NORTH MILL STREET
 MERRILL, WISCONSIN 54452
 WWW.FREMARQINNOVATIONS.COM
 PE: (715) 842-6842

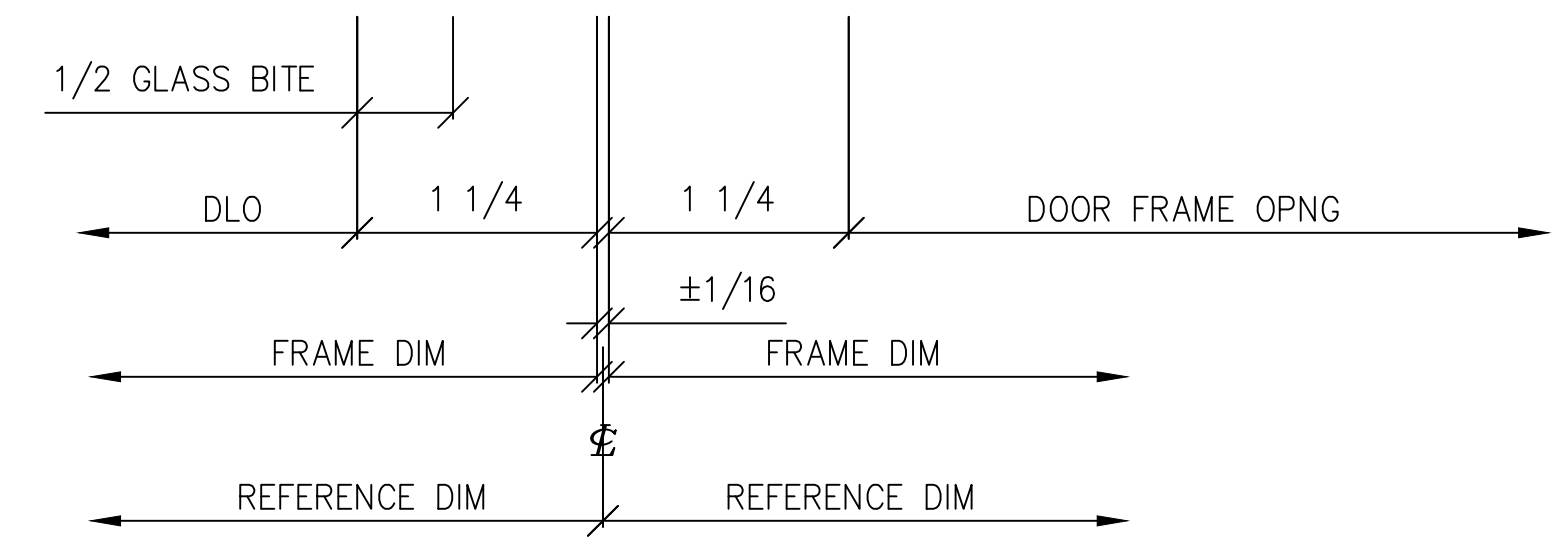
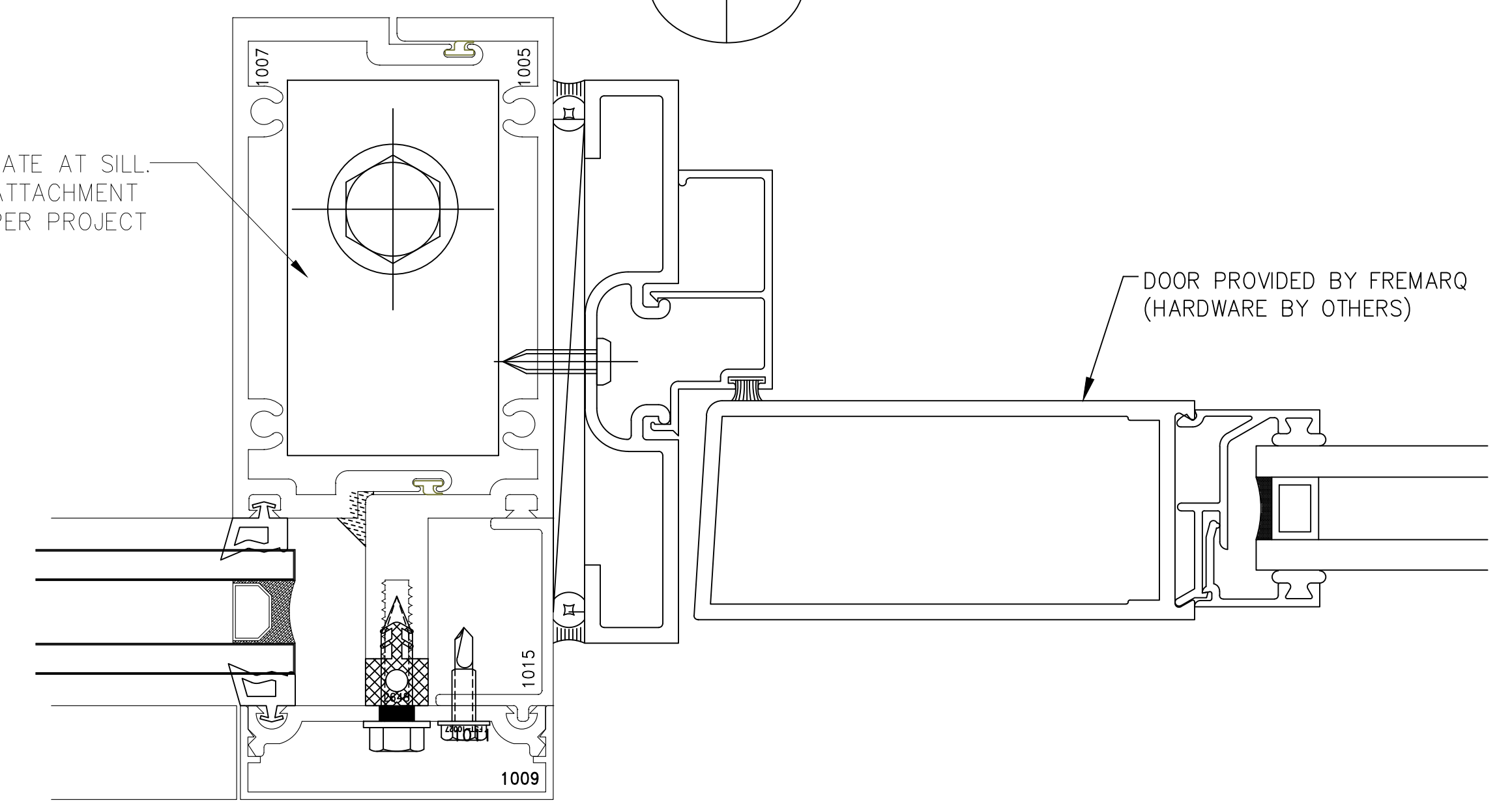
JOB NUMBER	
SHEET TITLE	DETAIL SHEET
DRAWING SCALE	11x17 = 6" = 1'-0" 22x34 = 12" = 1'-0"
DRAWING NO.	D01

GENERAL NOTES:
 1) Contractor to verify all dimensions in the field. All framing will be manufactured to the dimensions indicated unless otherwise noted.
 2) Architect to review all conditions for compliance to contract documents and, if required, provide correct details and/or dimensions to ensure proper coordination.
 3) Drawings marked "approved" or "approved as noted" shall be interpreted as an accurate condition of job requirements and such approval shall authorize release to fabrication.
 4) Fremarq shall not be responsible for any errors and/or work that occurs from the use of these drawings by other trades.

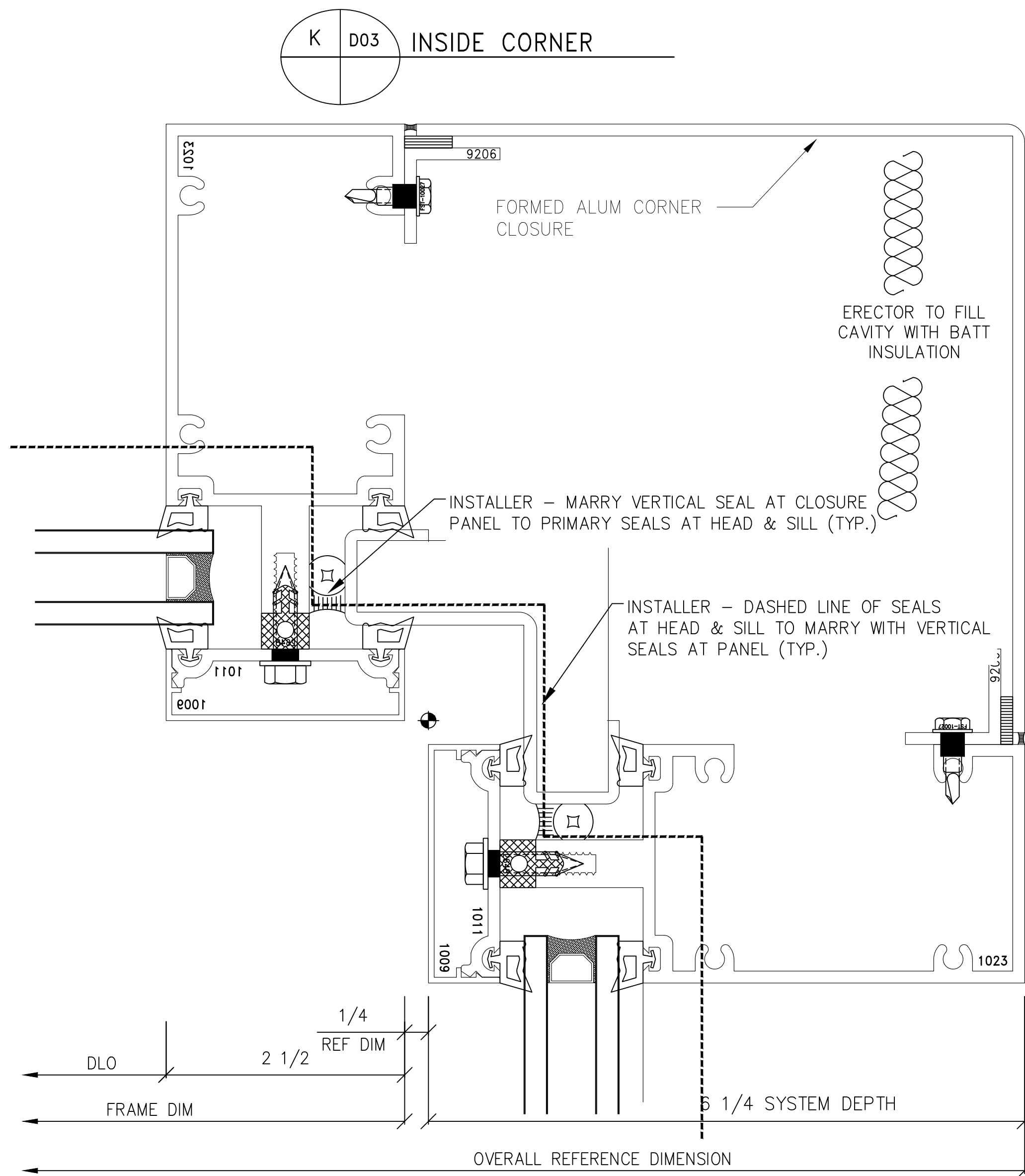
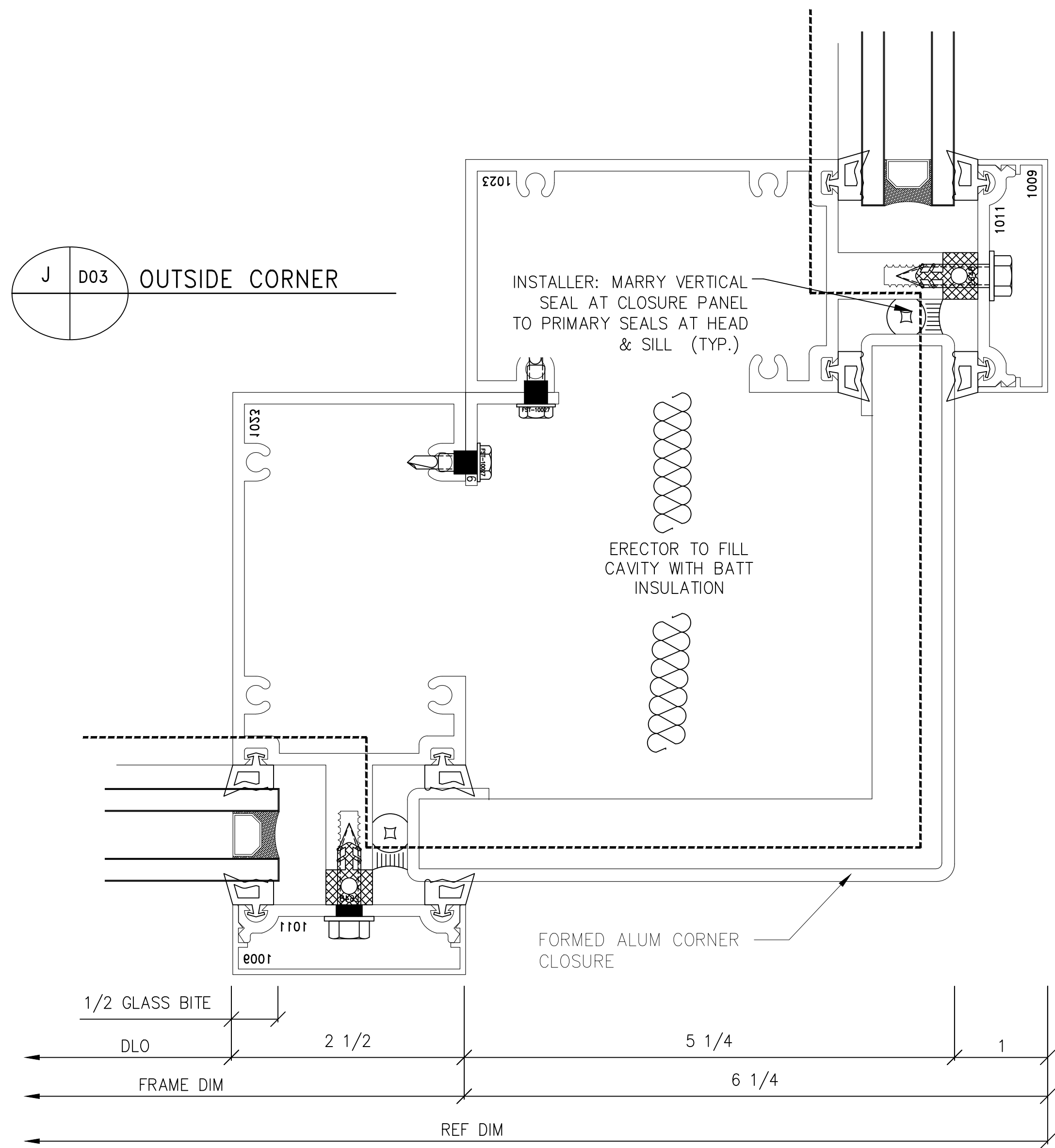


G D02 VERTICAL @ SPANDEL

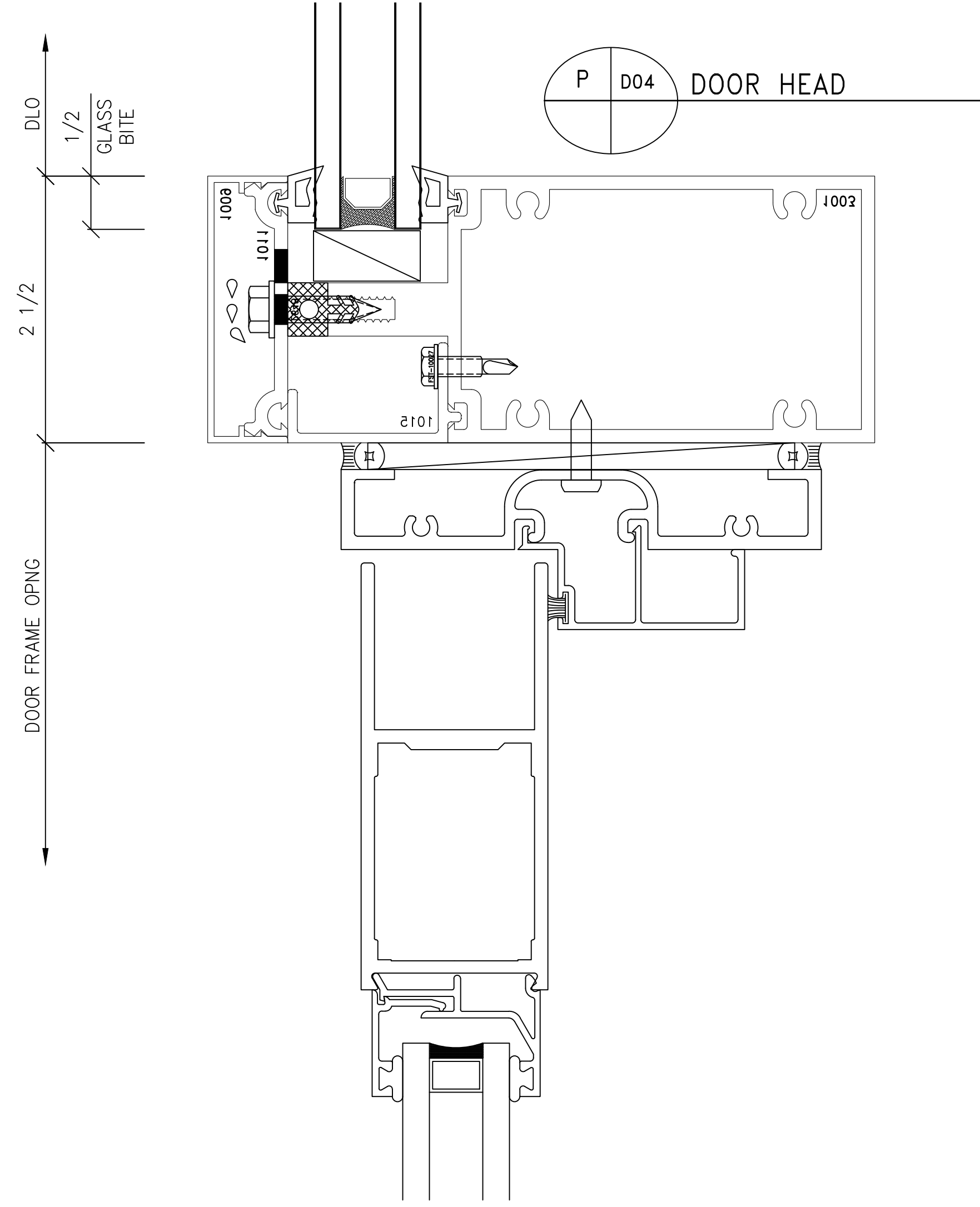
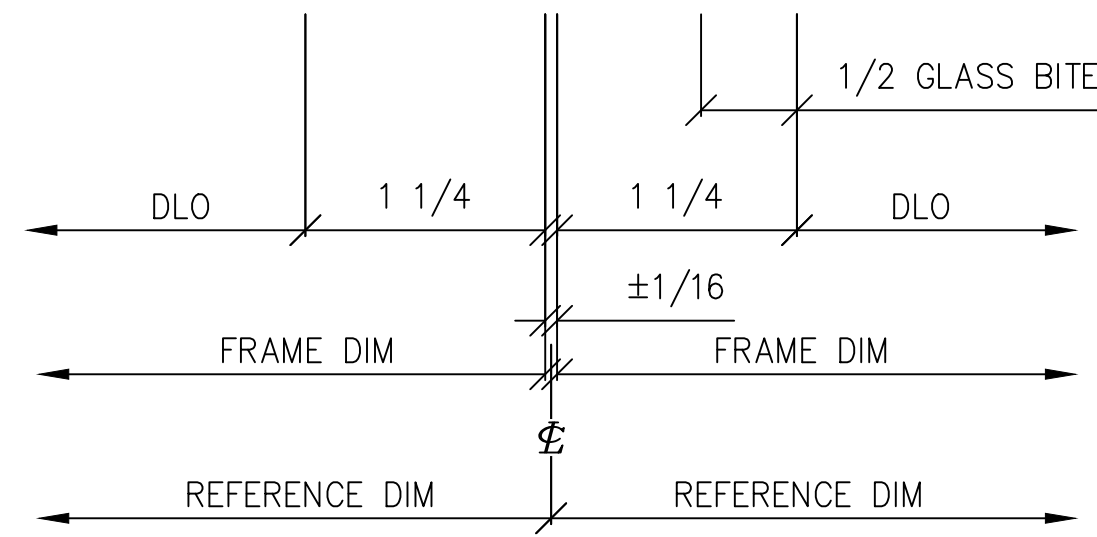
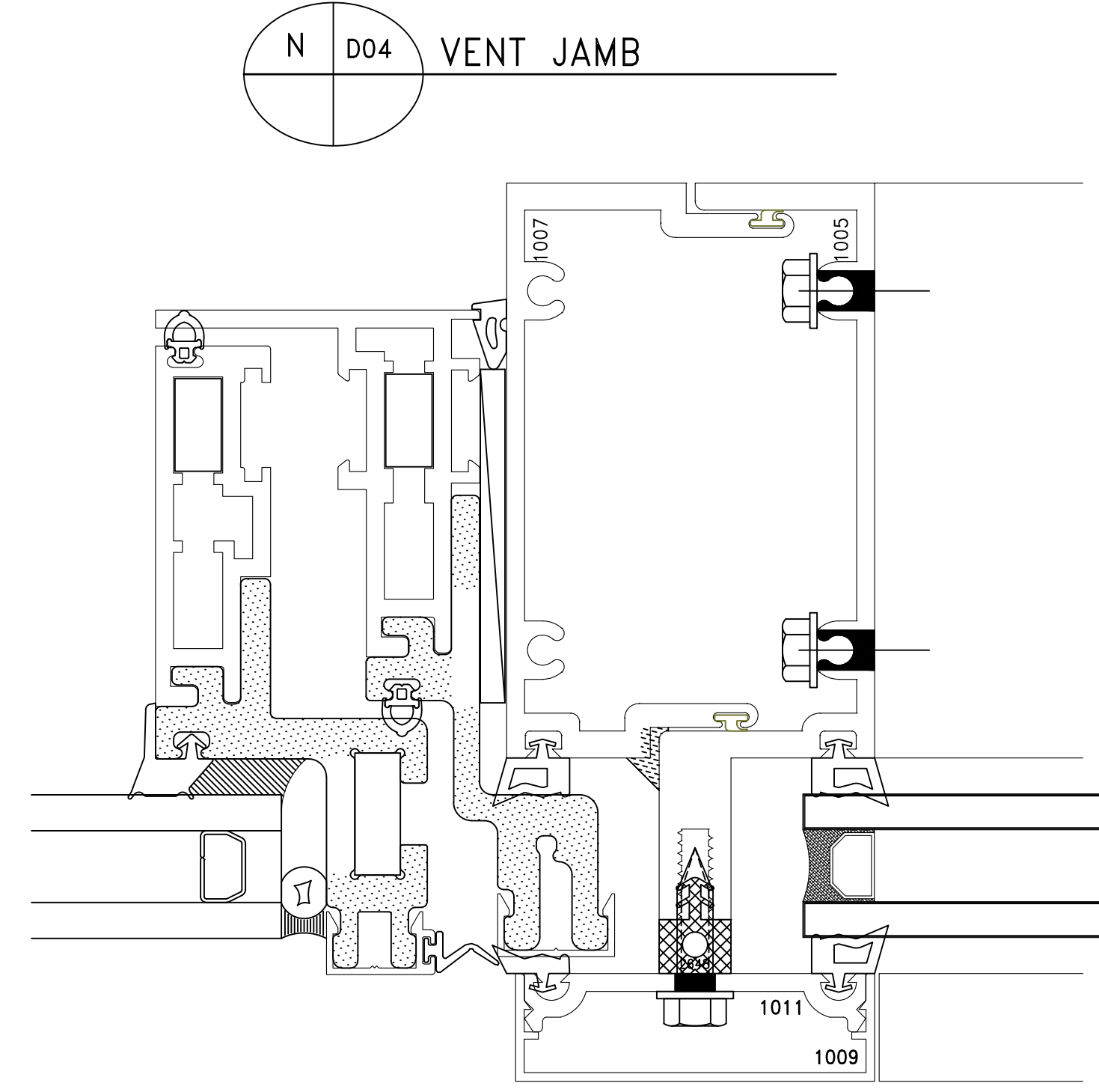
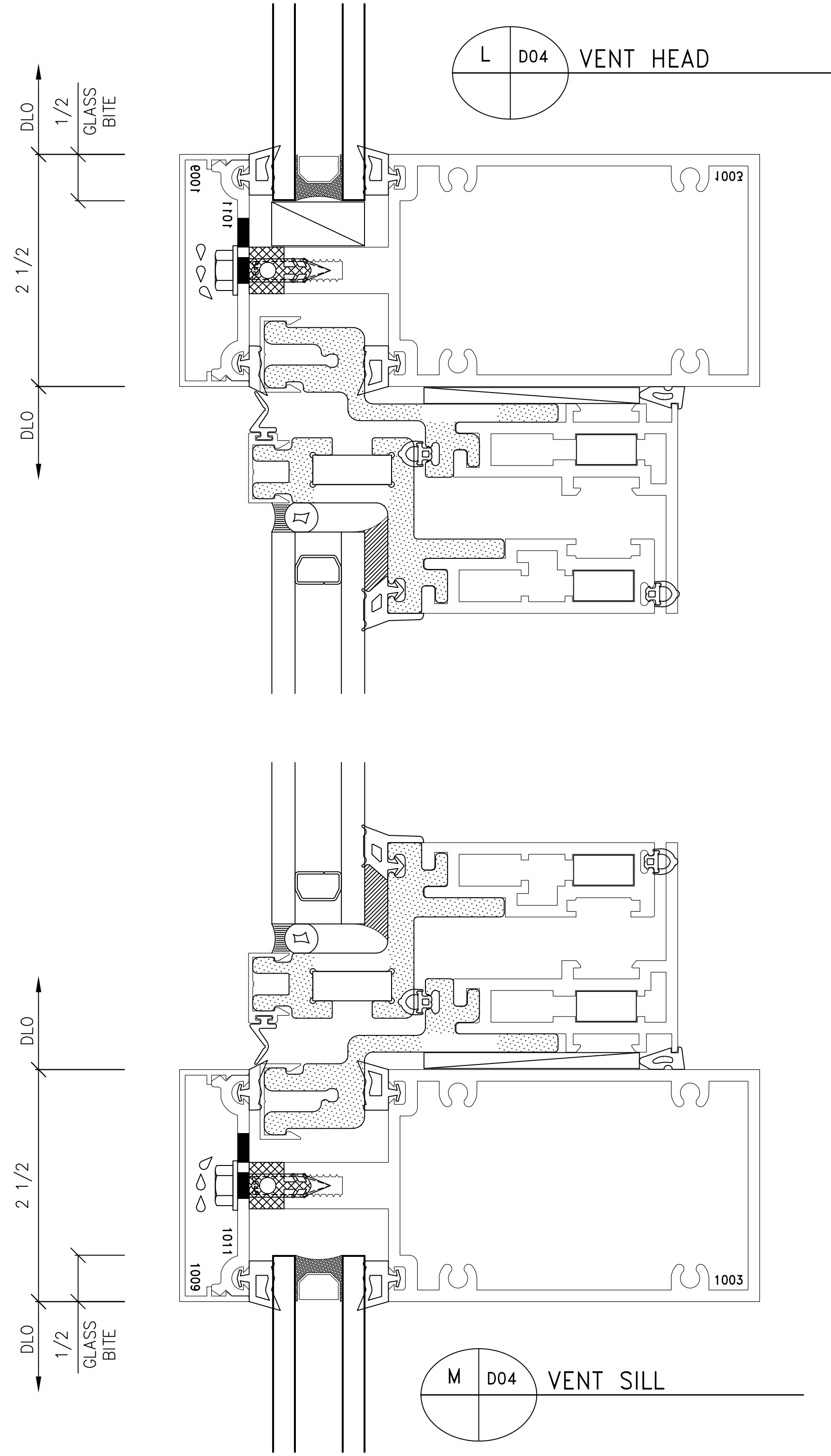
H D02 VERTICAL @ DOOR



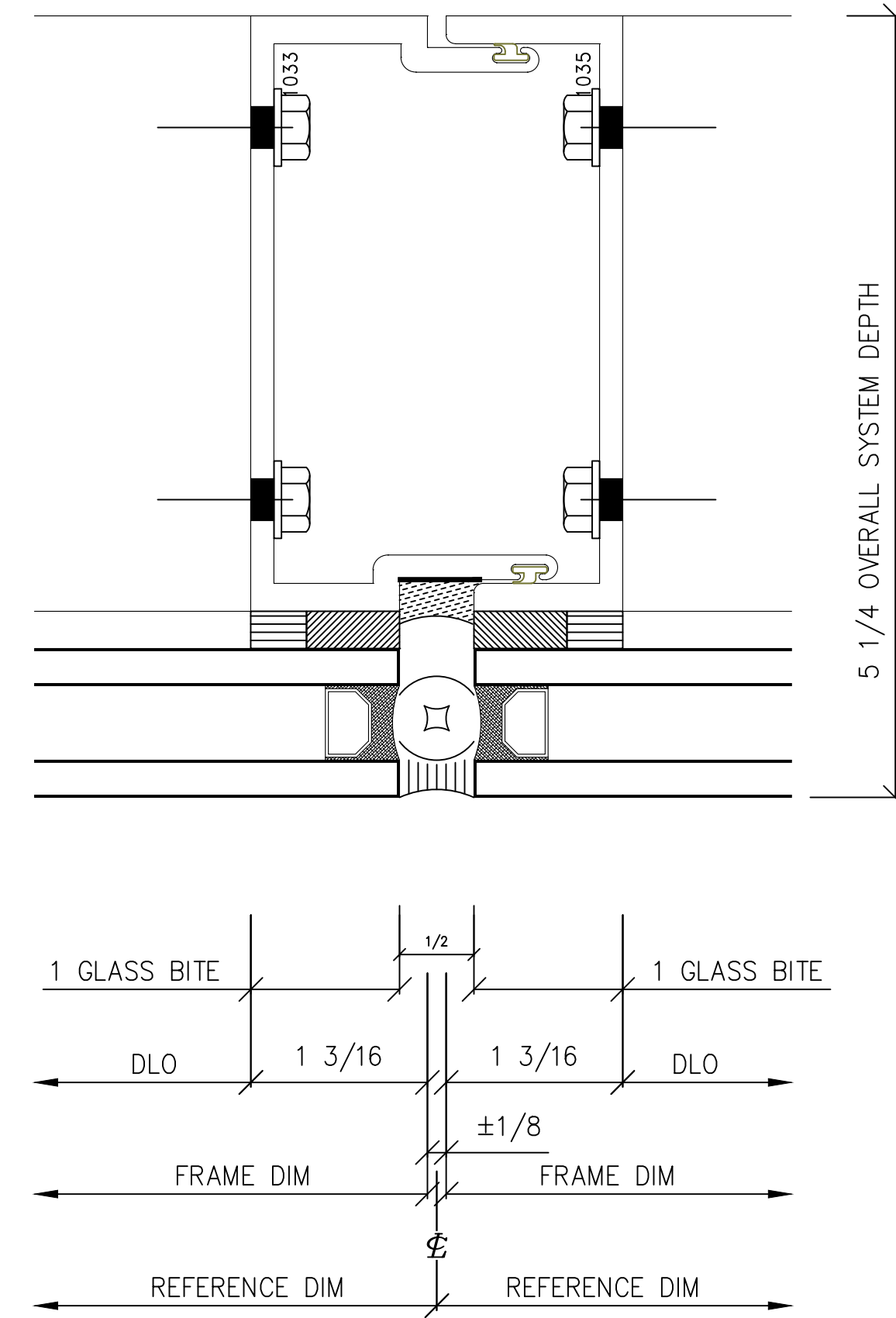
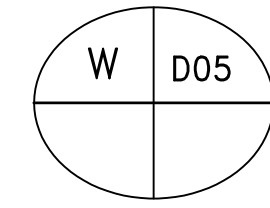
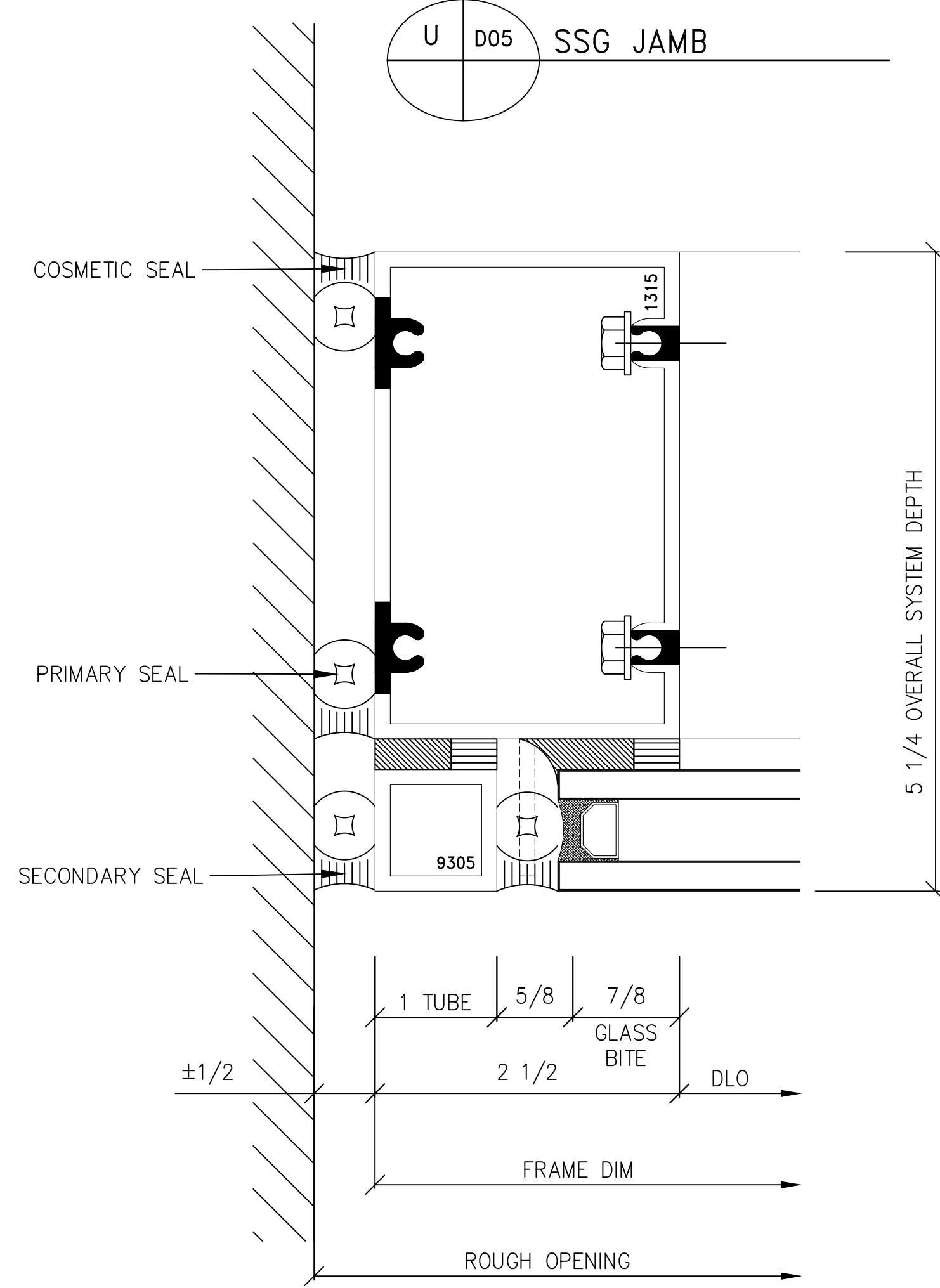
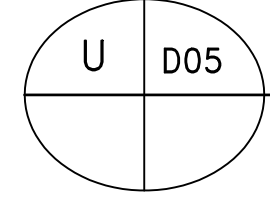
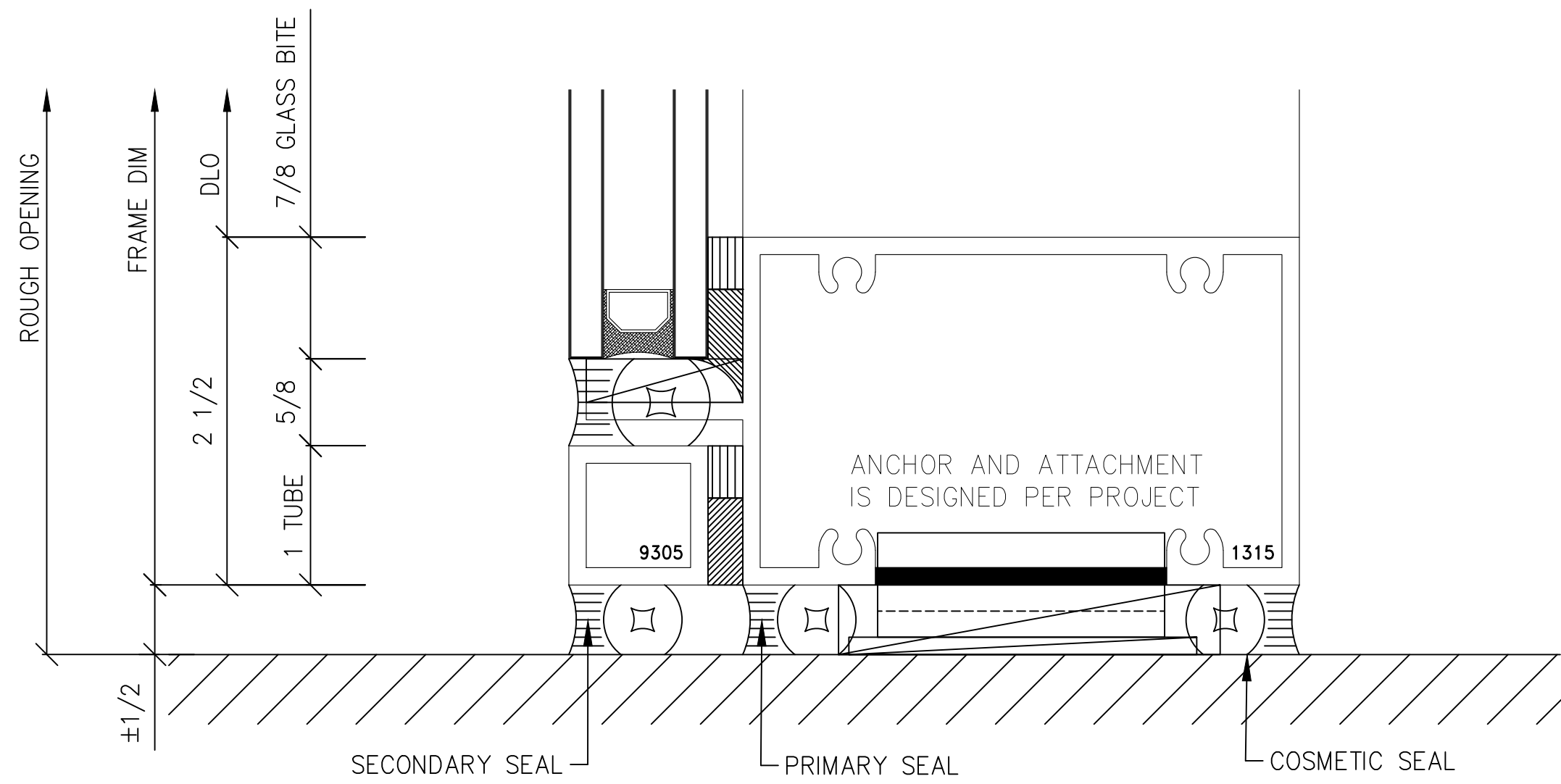
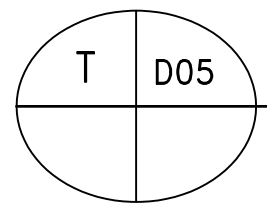
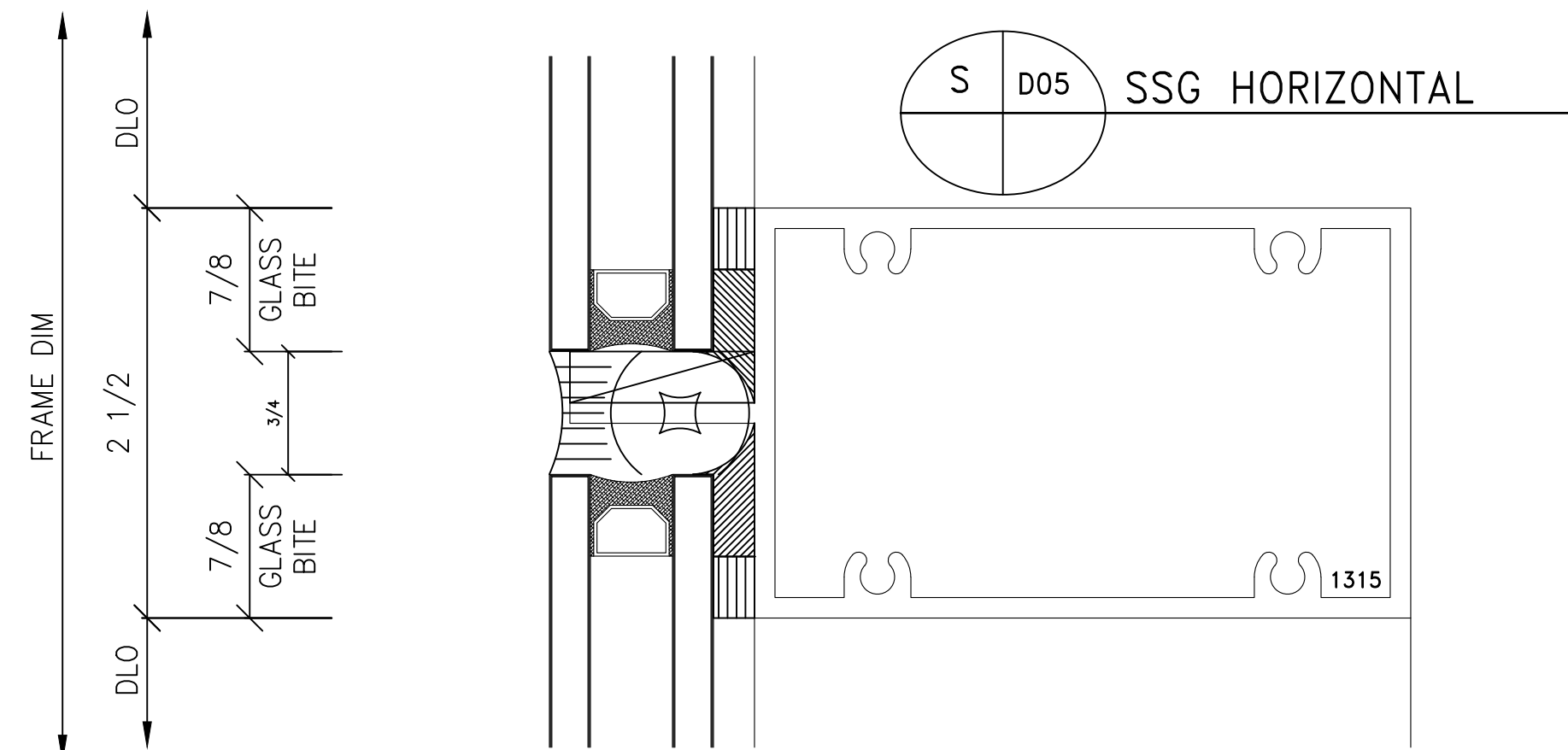
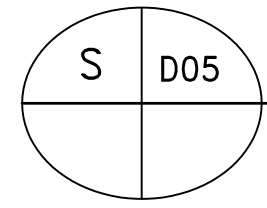
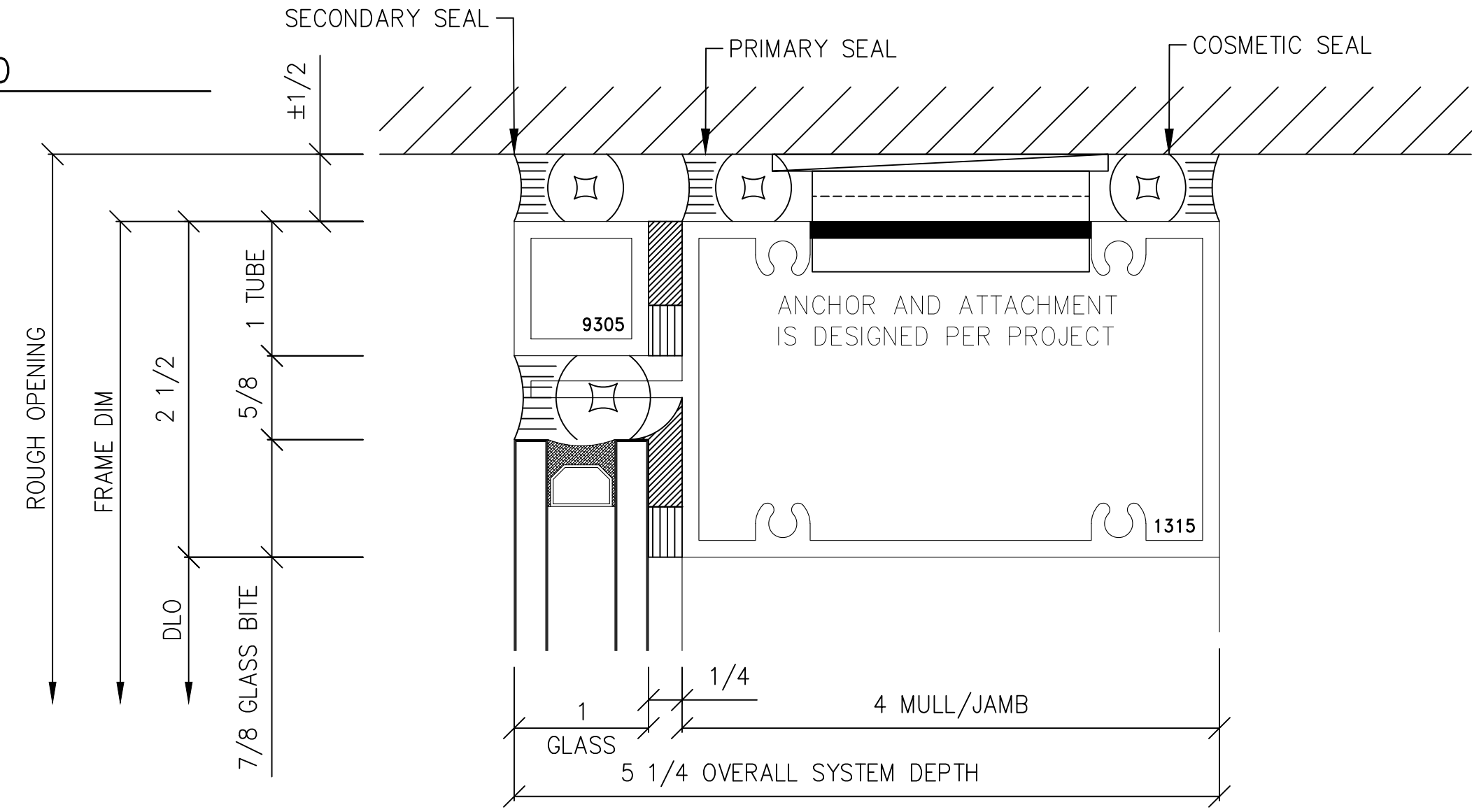
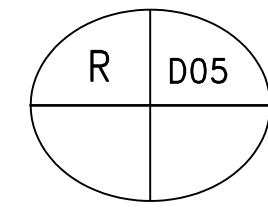
PROJECT: FM2506 WITH 1" IGU		DRAWN BY: TAF		REVISIONS	
LOCATION:		DATE: 10/16/23		NO. DATE BY	
ARCHITECT:		GENERAL NOTES:		1) Contractor to verify all dimensions in the field. All framing will be manufactured to the dimensions indicated unless otherwise noted.	
CONTRACTOR:		2) Architect to review all conditions for compliance to contract documents and, if required, provide correct details and/or dimensions to ensure proper coordination.		3) Drawings marked 'approved' or 'approved as noted' shall be interpreted as an accurate condition of job requirements and such approval shall authorize release to fabrication.	
		1101 NORTH MILL STREET PE: (715) 842-6842 MERRILL, WISCONSIN 54452 WWW.FREMARQINNOVATIONS.COM		4) Fremarq shall not be responsible for any errors and/or work that occurs from the use of these drawings by other trades.	
JOB NUMBER		DRAWING SCALE		DRAWING NO.	
SHEET TITLE		11x17 = 6" = 1'-0"		D02	
DETAIL SHEET		22x34 = 12" = 1'-0"			



PROJECT:		DRAWN BY: TAF		NO.		DATE		BY		REVISIONS	
LOCATION:		DATE: 10/16/23		NO.		DATE		BY		REVISIONS	
ARCHITECT:		GENERAL NOTES:									
CONTRACTOR:		1) Contractor to verify all dimensions in the field. All framing will be manufactured to the dimensions indicated unless otherwise noted. 2) Architect to review all conditions for compliance to contract documents and, if required, provide correct details and/or dimensions to ensure proper coordination. 3) Drawings marked 'approved' or 'approved as noted' shall be interpreted as an accurate condition of job requirements and such approval shall authorize release to fabrication. 4) Fremara shall not be responsible for any errors and/or work that occurs from the use of these drawings by other trades.									
PROJECT: FM2506 WITH 1" IGU LOCATION: PRESSURE WALL ARCHITECT: LIT CONTRACTOR: FM2506											
JOB NUMBER SHEET TITLE DETAIL SHEET											
DRAWING SCALE 11x17 = 6" = 1'-0" 22x34 = 12" = 1'-0"											
DRAWING NO. D03											



PROJECT: FM2506 WITH 1" IGU	DRAWN BY: TAF	NO.	DATE	BY	REVISIONS
	LOCATION:	DATE: 10/16/23			
ARCHITECT:	GENERAL NOTES: 1) Contractor to verify all dimensions in the field. All framing will be manufactured to the dimensions indicated unless otherwise noted. 2) Architect to review all conditions for compliance to contract documents and, if required, provide correct details and/or dimensions to ensure proper coordination. 3) Drawings marked 'approved' or 'approved as noted' shall be interpreted as an accurate condition of job requirements and such approval shall authorize release to fabrication. 4) FreMarq shall not be responsible for any errors and/or work that occurs from the use of these drawings by other trades.				
CONTRACTOR:	 1101 NORTH MILL STREET PH: (715) 842-6842 MERRILL, WISCONSIN 54452 WWW.FREMARQINNOVATIONS.COM				
JOB NUMBER	SHEET TITLE DETAIL SHEET				
DRAWING SCALE	DRAWING NO. D04				

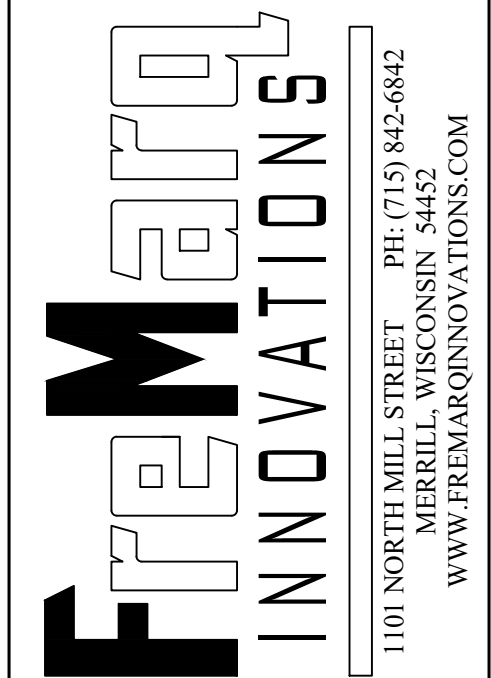


PROJECT: FM2506 WITH 1" IGU

LOCATION:

ARCHITECT:

CONTRACTOR:



JOB NUMBER

SHEET TITLE
DETAIL SHEET

DRAWING SCALE
11x17 = 6" = 1'-0"
22x34 = 12" = 1'-0"

DRAWING NO.
D05

DRAWN BY: TAF

DATE: 10/16/23

NO. BY

REVISIONS

GENERAL NOTES:
 1) Contractor to verify all dimensions in the field. All framing will be manufactured to the dimensions indicated unless otherwise noted.
 2) Architect to review all conditions for compliance to contract documents and, if required, provide correct details and/or dimensions to ensure proper coordination.
 3) Drawings marked 'approved' or 'approved as noted' shall be interpreted as an accurate condition of job requirements and such approval shall authorize release to fabrication.
 4) Fremara shall not be responsible for any errors and/or work that occurs from the use of these drawings by other trades.