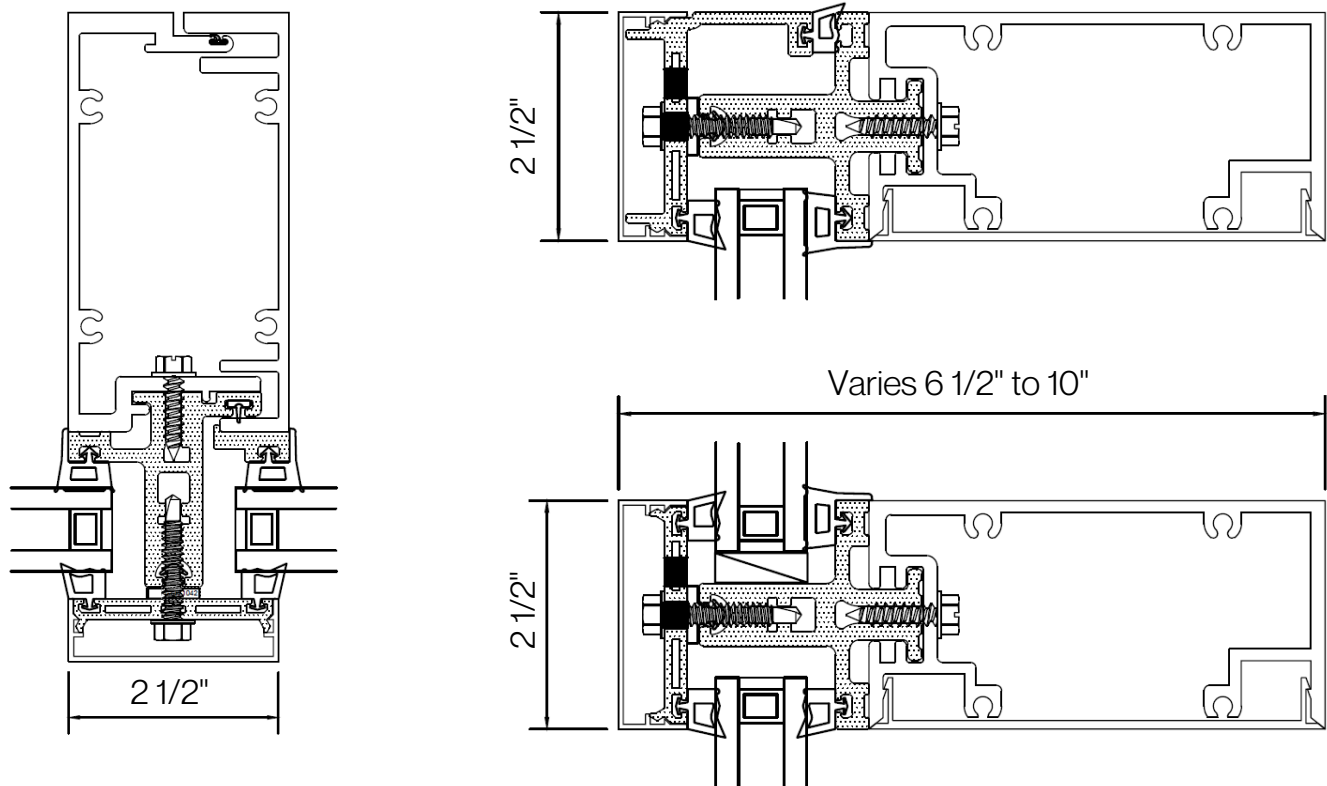


Zero•Net™ Pressure Wall PW2500 with ForMax™ Thermal Barrier

Captured with 1" Dual Glazing (COG = 0.20)

Technical Guide



FEATURES

- Incorporates FreMarq's FortMax™ thermal barrier for the highest performance in the industry
 - Industry-leading U-Factors **based on NFRC gateway sizes**
- Frame CRF 84 based on AAMA 1503-09 testing
- Overall depths available from 6 1/2" to 10"
- 2 1/2" mullion sightlines
- Can accommodate infills up to 1 3/4" for greater thermal performance
- Pressure equalized rain screen design
- 15 psf static and dynamic water resistance
- Typically field glazed
- 3-way adjustable anchors - project specific when required
- Zero sightline multi-lock vents with the same FortMax™ thermal barrier available
- Exterior sunshades and interior light shelves available

Key System Performance Factors

Allowable Air 0.06 cfm/sqft @ 6.24 psf
Water 15 psf
CRF (Frame) Not less than 82
NFRC U-Factor 0.24

Disclaimer: FreMarq takes no responsibility for product selection or application, including but not limited to, compliance with building codes, safety codes, laws, merchantability, or fitness for a particular purpose; and further disclaims all liability for the use, in whole or in part, of this Technical Guide, in preparation of project specifications and/or other documents. Technical Guides and/or performance values are subject to change without notice and at FreMarq's sole discretion.



FreMarq
INNOVATIONS

(715) 842-6842
www.fremarqinnovations.com