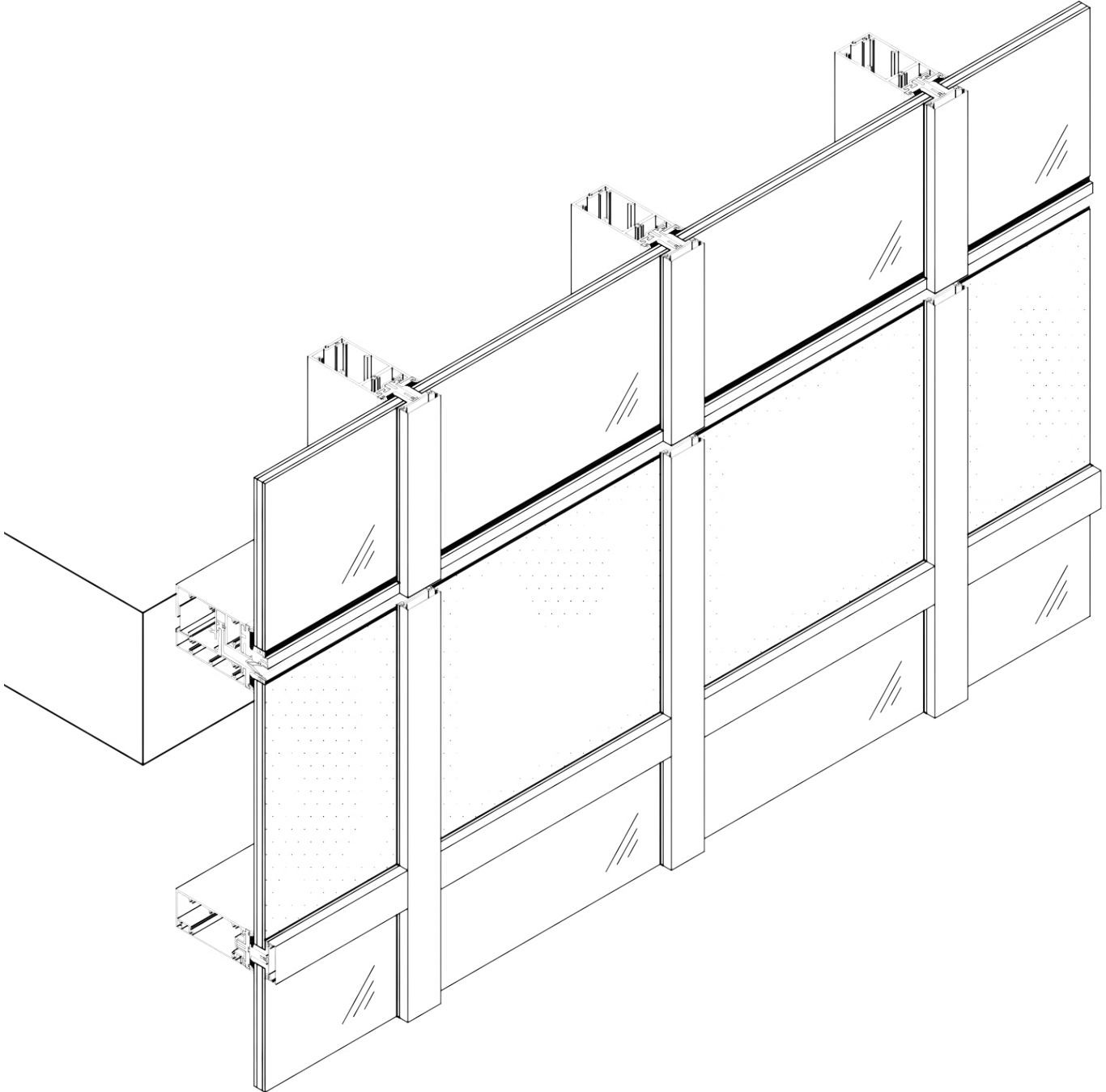


# Zero•Net™ Unitized UCW3500

STANDARD DETAILS



Covered by one or more of the following US or Foreign Patents No. 9,212,482; 9,663,946; 11,214,961; 11,434,635 Canada 2,951,502; Canada 2,950,781; and other US and foreign patents pending.

The End of Compromise® is a registered trademark and FreMarq™, FortMax™, and Zero•Net™ are protected trademarks of FreMarq Innovations, Inc. ©2018-2022 FreMarq Innovations, Inc.

# Zero•Net™ Unitized UCW3500

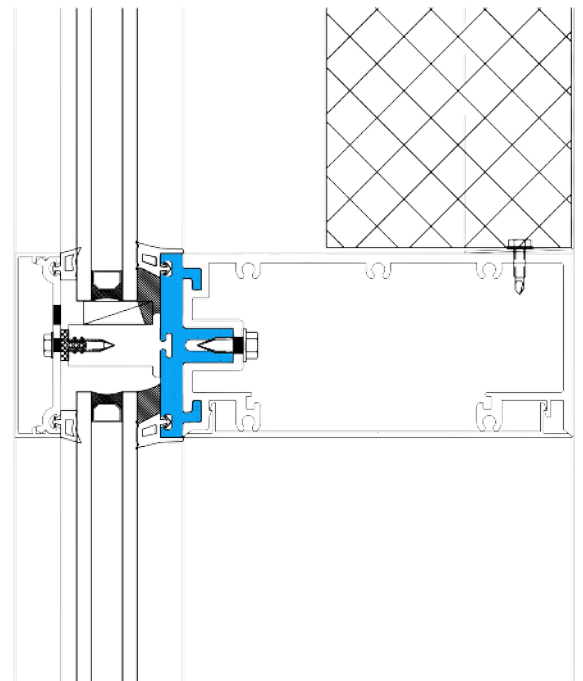
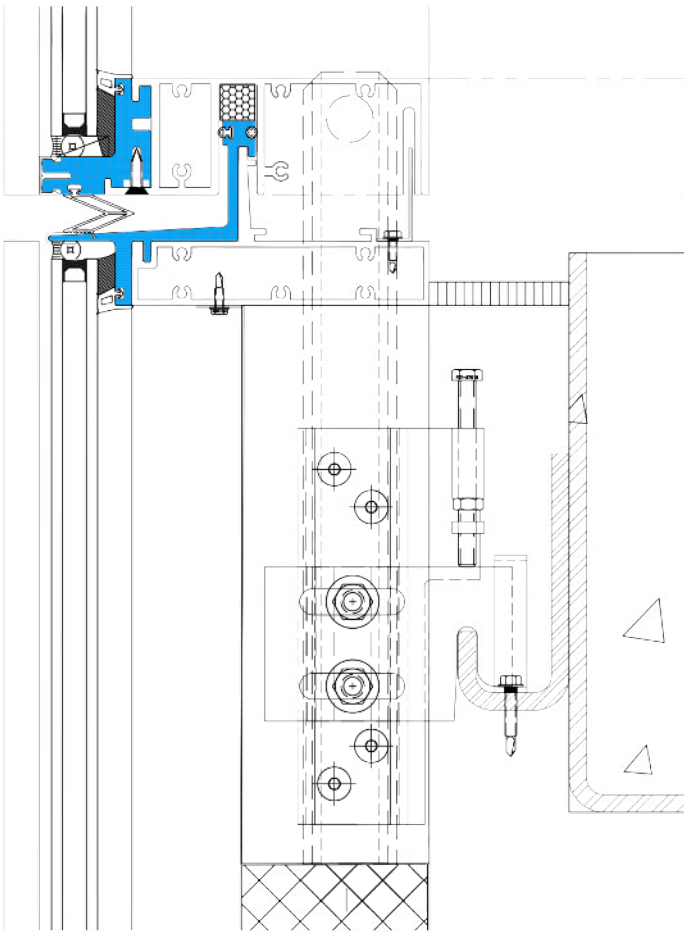
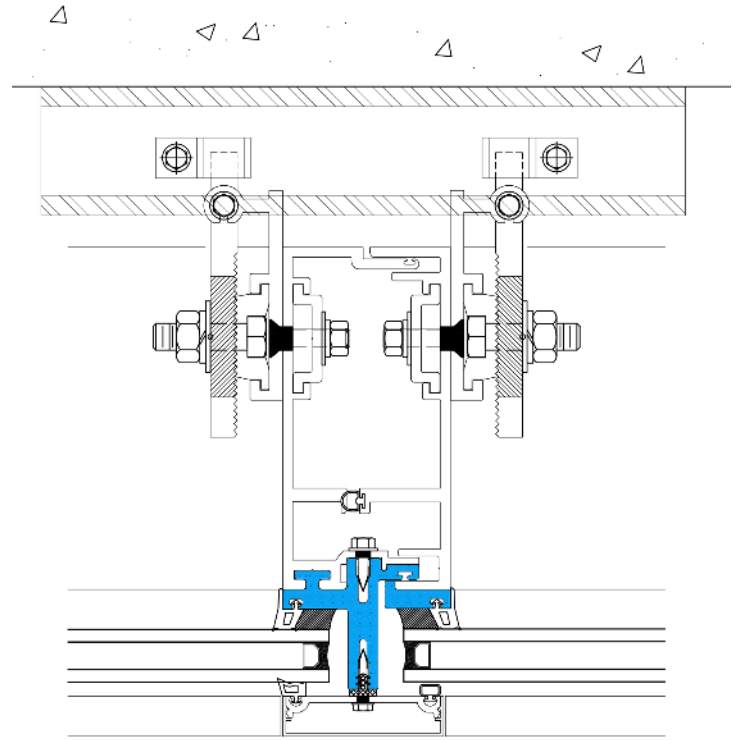
## STANDARD DETAILS

The Zero•Net™ UC3500 unitized curtain wall uses our FortMax™ patented thermal barrier to reach new heights in thermal performance. The aluminum unitized curtain wall completely isolates all interior aluminum framing from the exterior elements – even at the horizontal stack joint, which is the worst thermally performing area for unitized curtain wall.

### Technical Information (per NFRC 100)

COG U-Value = 0.235 BTU/(hr•ft<sup>2</sup>•°F)

System U-Value = 0.283 BTU/(hr•ft<sup>2</sup>•°F)



Covered by one or more of the following US or Foreign Patents No. 9,212,482; 9,663,946; 11,214,961; 11,434,635 Canada 2,951,502; Canada 2,950,781; and other US and foreign patents pending.

The End of Compromise® is a registered trademark and FreMarq™, FortMax™, and Zero•Net™ are protected trademarks of FreMarq Innovations, Inc. ©2018-2022 FreMarq Innovations, Inc.