

Zero•Net™ R7 Pressure Wall PW25XT STANDARD DETAILS

The Zero•Net™ PW250XT pressure curtain wall system takes FreMarq's traditional PW2500 pressure curtain wall design and incorporates thin triple-pane glass for unmatched thermal performance. This system provides R7 performance with U-Values as low as 0.138.

Technical Information Standard (per NFRC 100)

COG U-Value = 0.102 BTU/(hr•ft²•°F)

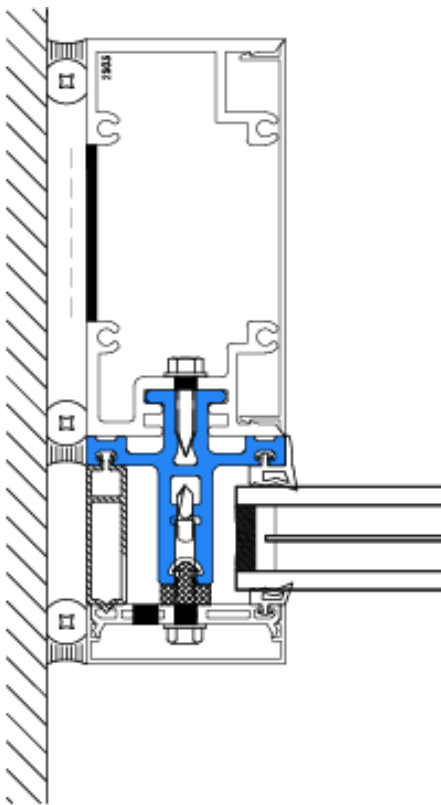
System U-Value = 0.138 BTU/(hr•ft²•°F)

Condensation Resistance Factor (CRF) = 90

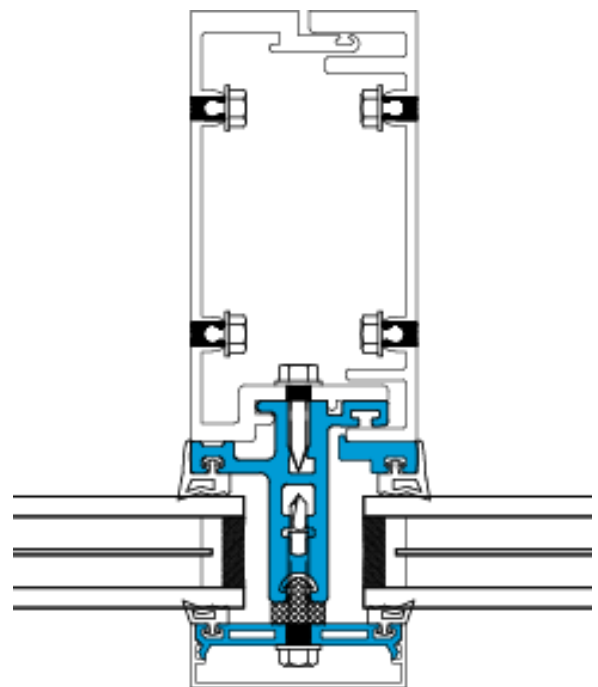
CRF- Frame = 90

CRF- Glass = 80

JAMB



VERTICAL

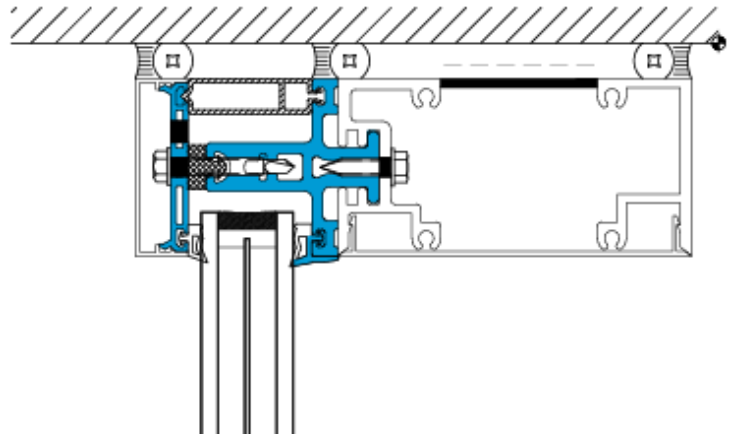


Zero•Net™ R7 Pressure Wall

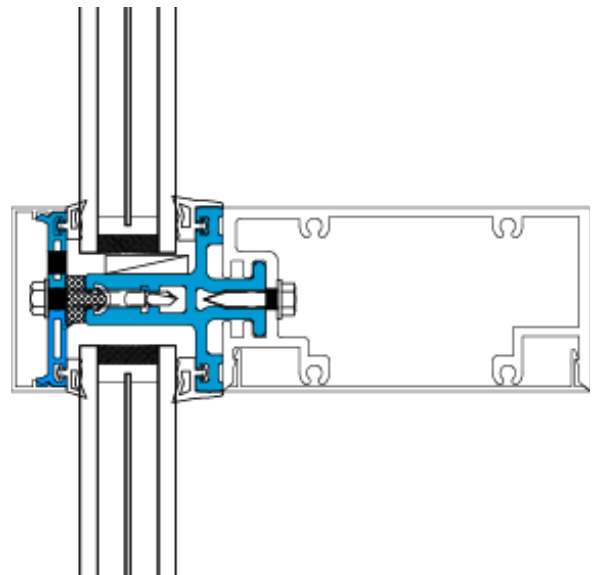
PW25XT

STANDARD DETAILS

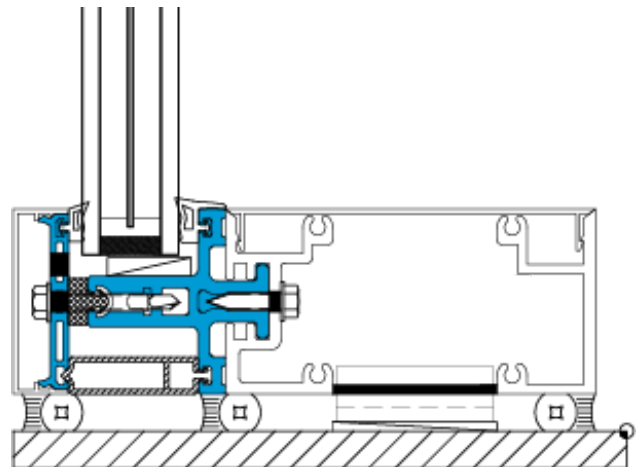
HEAD



HORIZONTAL



SILL



Covered by one or more of the following US or Foreign Patents No. 9,212,482; 9,663,946; 11,214,961; 11,434,635 Canada 2,951,502; Canada 2,950,781; and other US and foreign patents pending.

The End of Compromise® is a registered trademark and FreMarq™, FortMax™, and Zero•Net™ are protected trademarks of FreMarq Innovations, Inc. ©2018-2022 FreMarq Innovations, Inc.