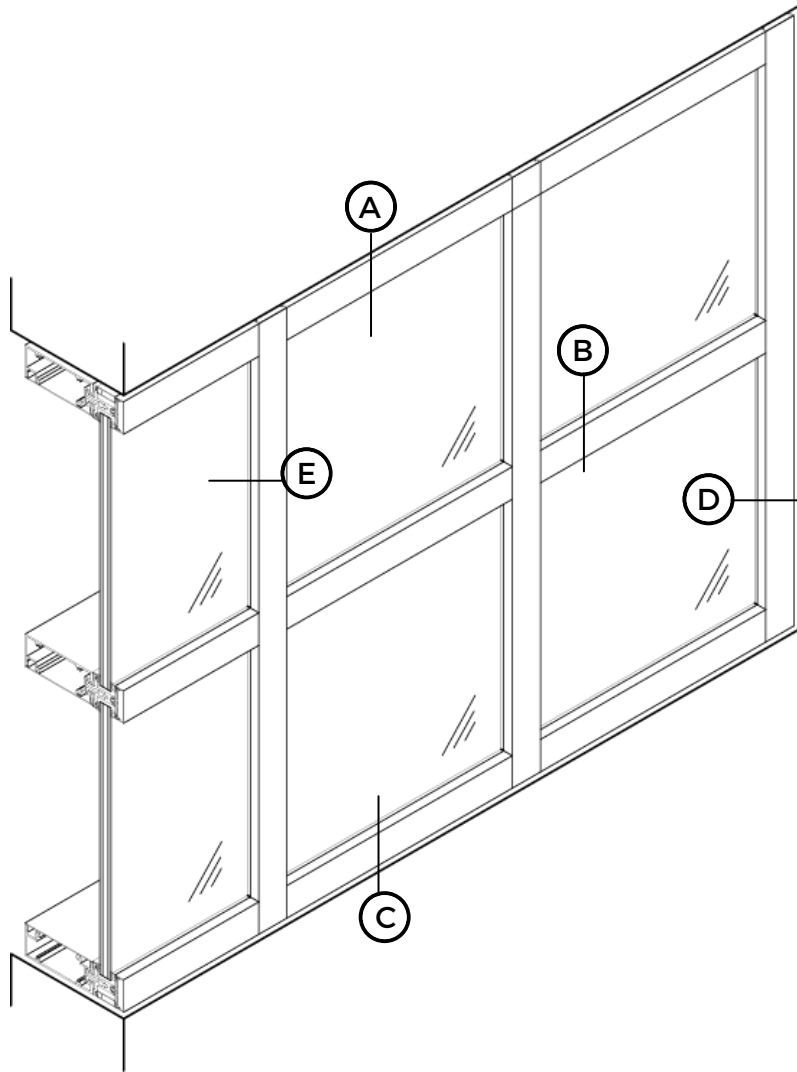
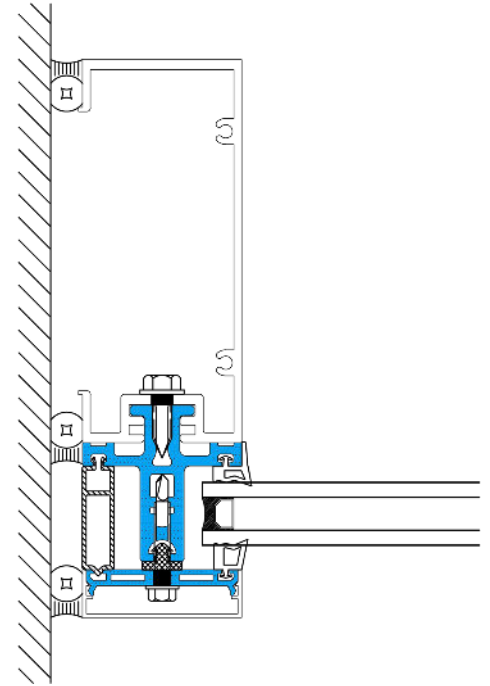


# Zero•Net™ Pressure Wall PW2500

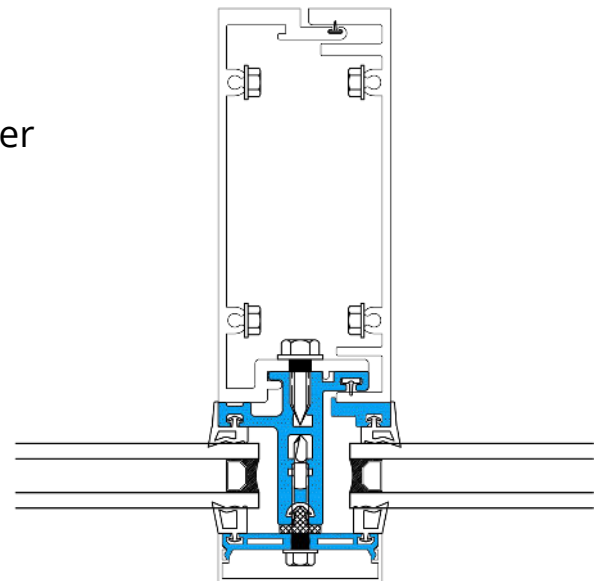
STANDARD DETAILS



## D JAMB



## E VERTICAL



The Zero•Net™ PW2500 pressure curtain wall system takes traditional curtain wall design and incorporates our FortMax™ patented thermal barrier to provide industry-leading performance.

### Technical Information Standard (per NFRC 100)

COG U-Value = 0.235 BTU/(hr•ft<sup>2</sup>•°F)

System U-Value = 0.268 BTU/(hr•ft<sup>2</sup>•°F)

Condensation Resistance Overall (CRF) = 72

CRF- Frame = 82

CRF- Glass = 72

Covered by one or more of the following US or Foreign Patents No. 9,212,482; 9,663,946; 11,214,961; 11,434,635 Canada 2,951,502; Canada 2,950,781; and other US and foreign patents pending.

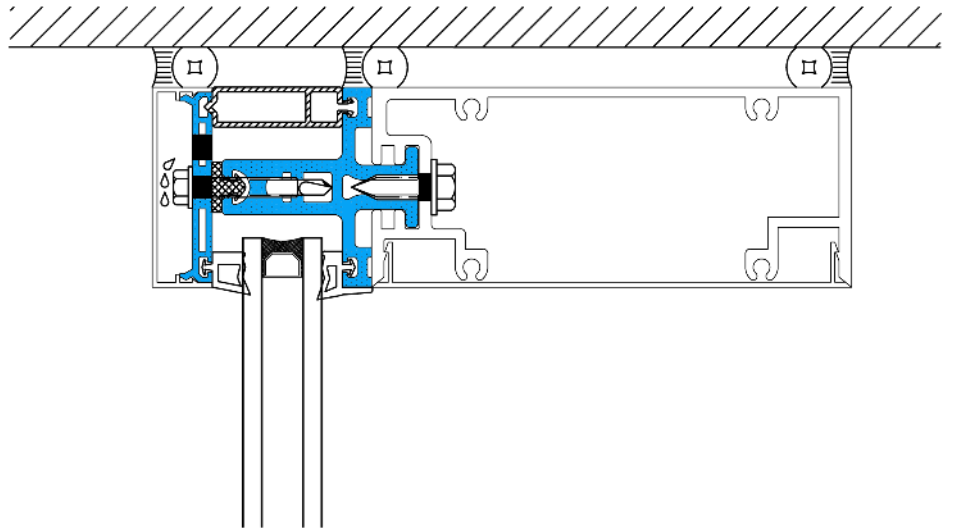
The End of Compromise® is a registered trademark and FreMarq™, FortMax™, and Zero•Net™ are protected trademarks of FreMarq Innovations, Inc. ©2018-2022 FreMarq Innovations, Inc.

# Zero·Net™ Pressure Wall

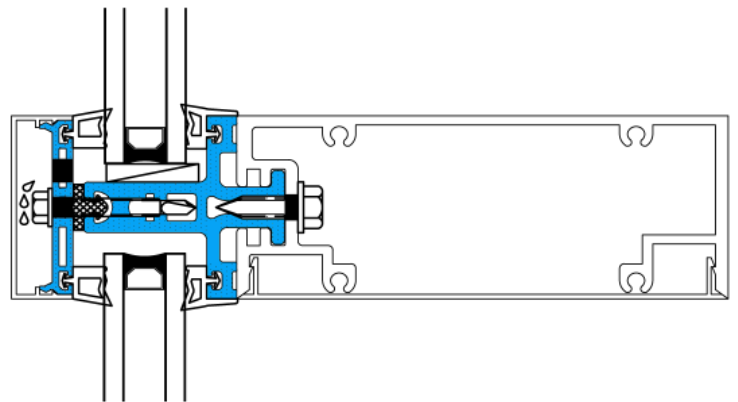
## PW2500

STANDARD DETAILS

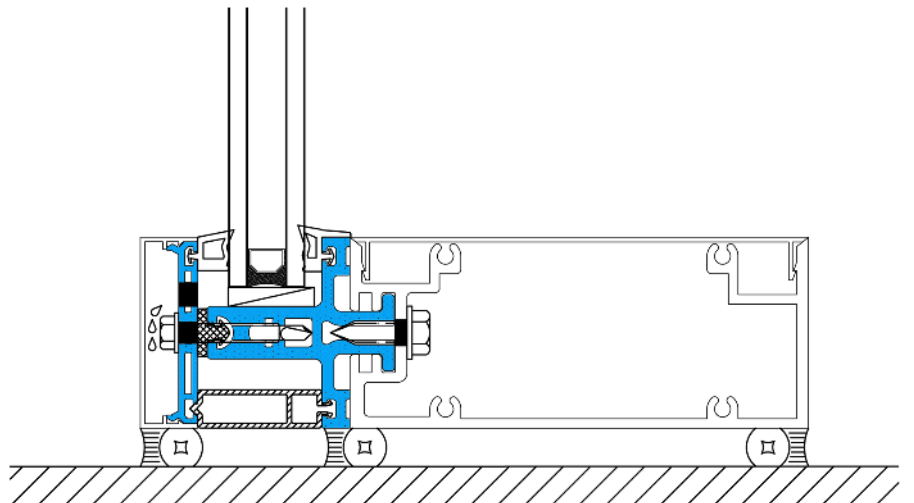
(A) HEAD



(B) HORIZONTAL



(C) SILL



Covered by one or more of the following US or Foreign Patents No. 9,212,482; 9,663,946; 11,214,961; 11,434,635 Canada 2,951,502; Canada 2,950,781; and other US and foreign patents pending.

The End of Compromise® is a registered trademark and FreMarq™, FortMax™, and Zero·Net™ are protected trademarks of FreMarq Innovations, Inc. ©2018-2022 FreMarq Innovations, Inc.