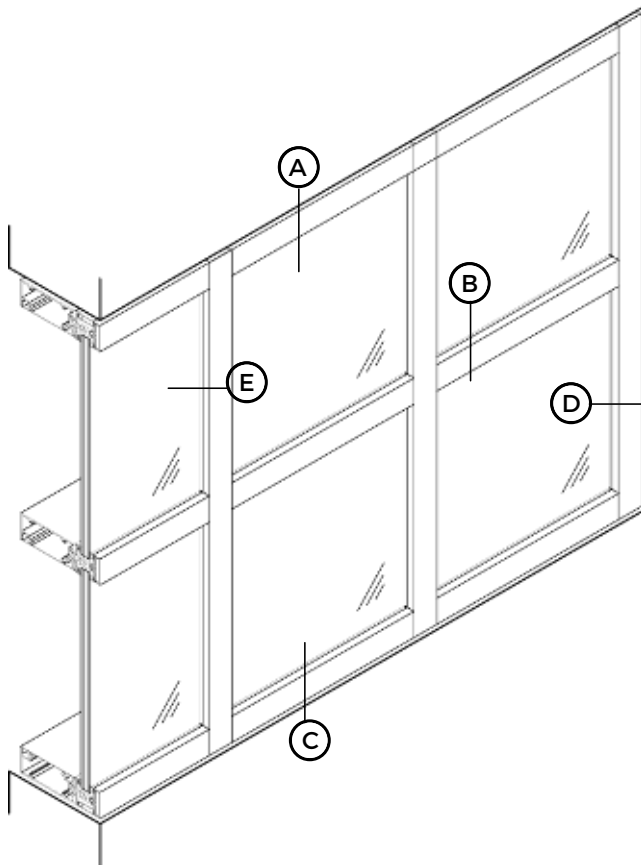
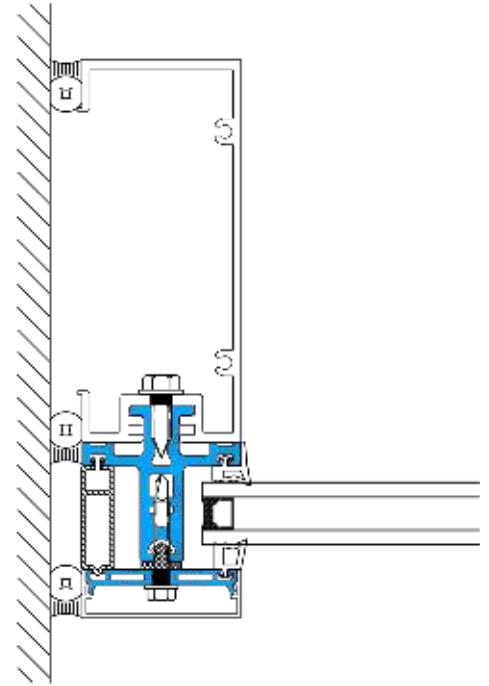


Zero•Net™ Pressure Wall PW2500

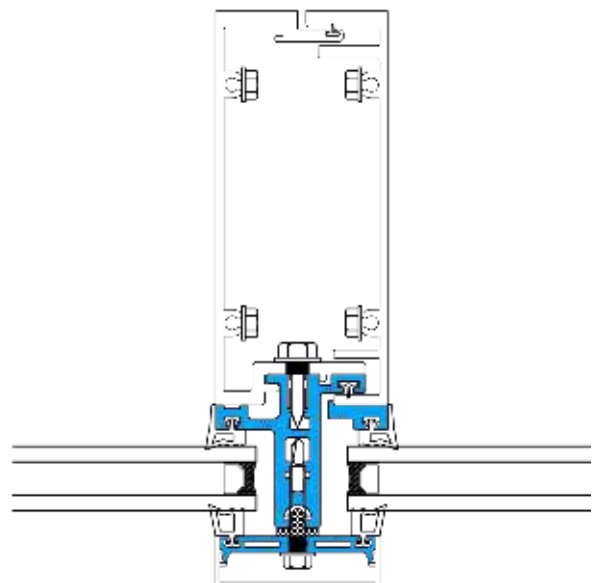
STANDARD DETAILS



D JAMB



E VERTICAL



The Zero•Net™ PW2500 pressure curtain wall system takes traditional curtain wall design and incorporates our FortMax™ patented thermal barrier to provide industry-leading performance.

Technical Information Standard (per NFRC 100)

COG U-Value = 0.235 BTU/(hr•ft²•°F)
System U-Value = 0.268 BTU/(hr•ft²•°F)
Condensation Resistance = 72

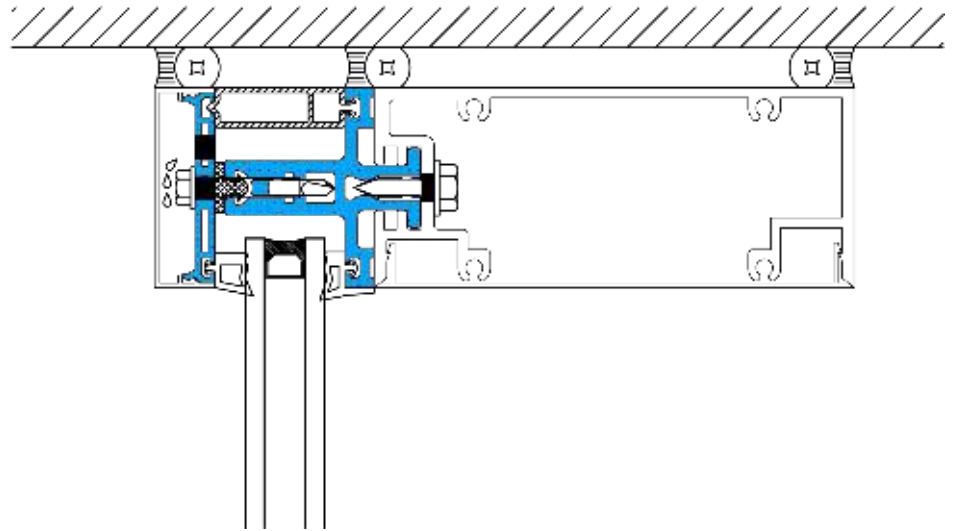
Technical Information R7 (per NFRC 100)

COG U-Value = 0.102 BTU/(hr•ft²•°F) (triple)
System U-Value = 0.14 BTU/(hr•ft²•°F)
Condensation Resistance = 90

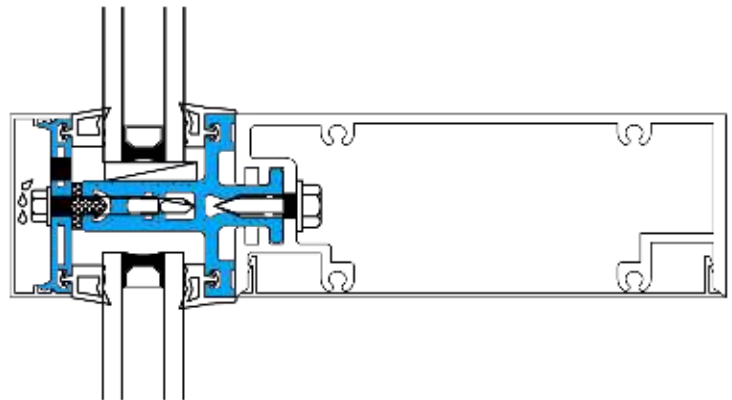
Zero·Net™ Pressure Wall PW2500 STANDARD DETAILS

FreMarq
INNOVATIONS
THE END OF COMPROMISE®

(A) HEAD



(B) HORIZONTAL



(C) SILL

