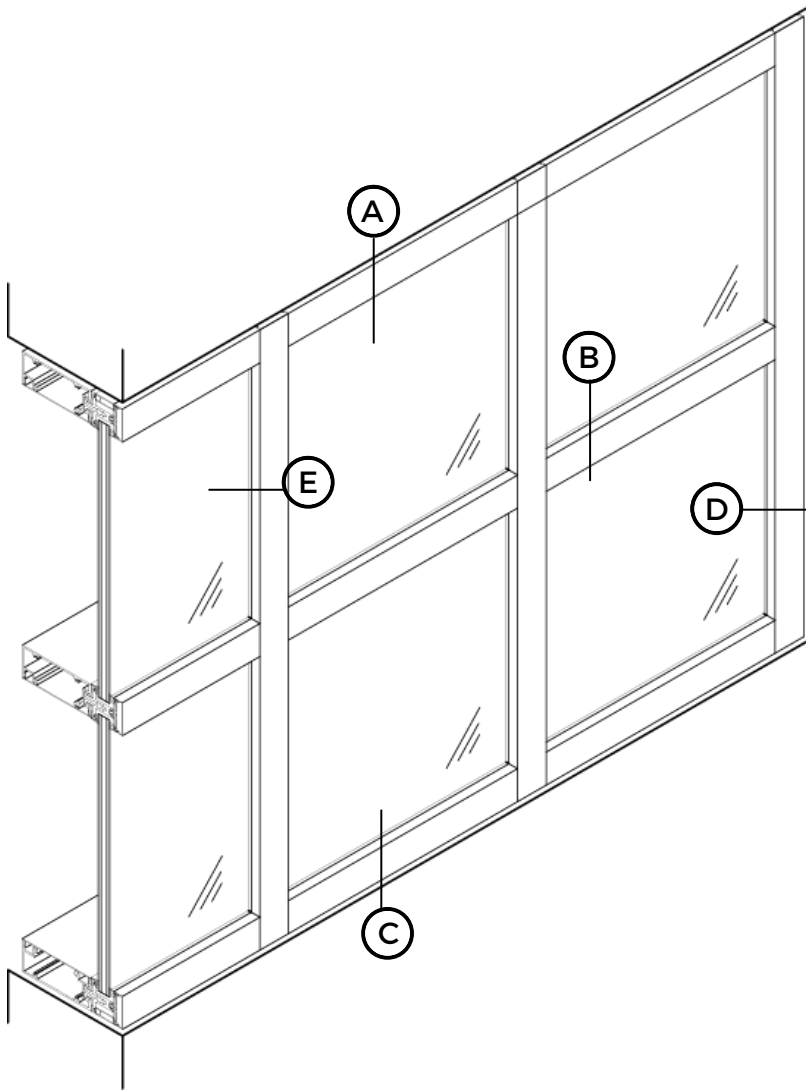
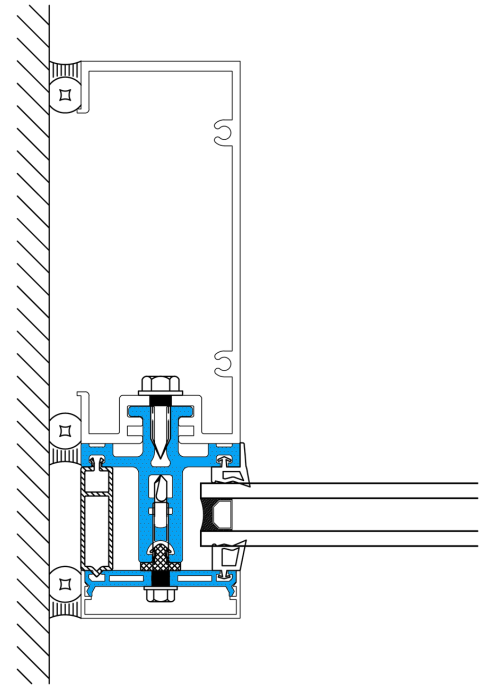


# Zero•Net™ Pressure Wall PW2500 STANDARD DETAILS

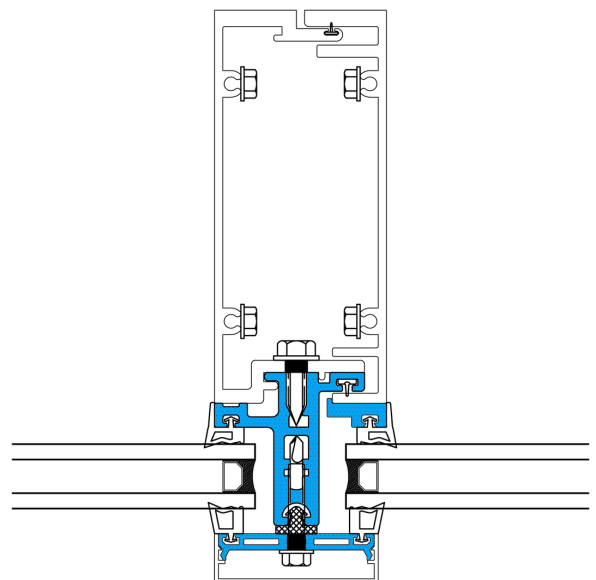
**FreMarq**  
INNOVATIONS  
THE END OF COMPROMISE®



## D JAMB



## E VERTICAL



The Zero•Net™ PW2500 pressure curtain wall system takes traditional curtain wall design and incorporates our FortMax™ patented thermal barrier to provide industry-leading performance.

### Technical Information (per NFRC 100)

COG U-Value = 0.235 BTU/(hr•ft<sup>2</sup>•°F)

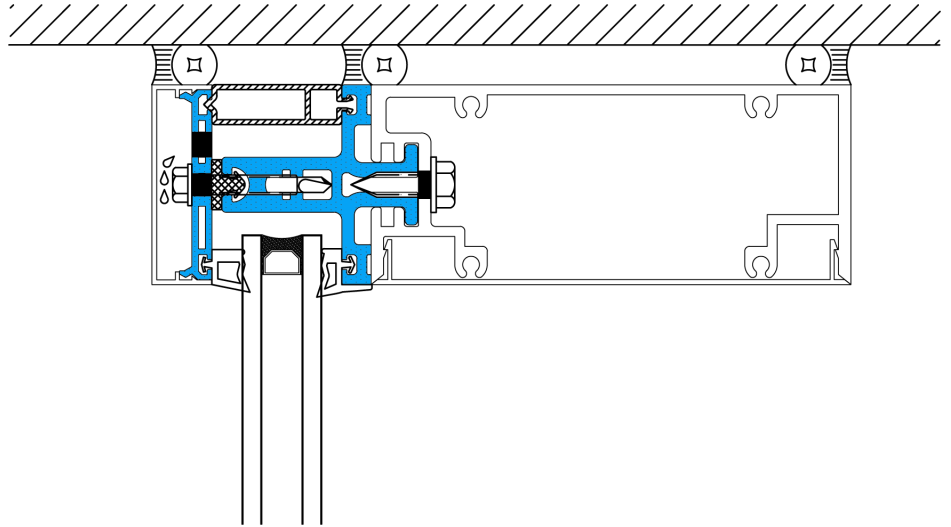
System U-Value = 0.268 BTU/(hr•ft<sup>2</sup>•°F)

Condensation Resistance = 59.2

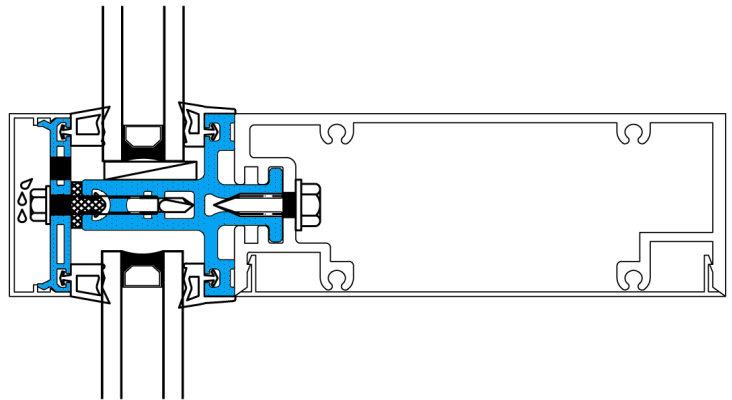
# Zero•Net™ Pressure Wall PW2500 STANDARD DETAILS

**FreMarq**  
INNOVATIONS  
THE END OF COMPROMISE®

**(A)** HEAD



**(B)** HORIZONTAL



**(C)** SILL

